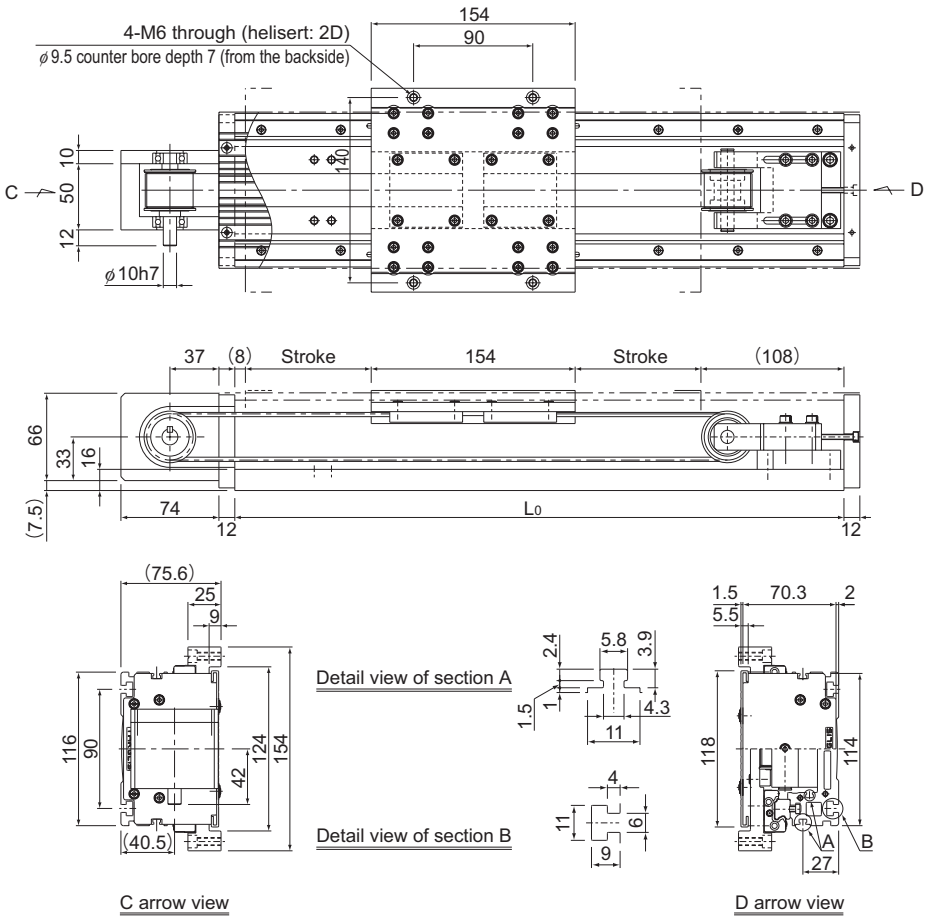


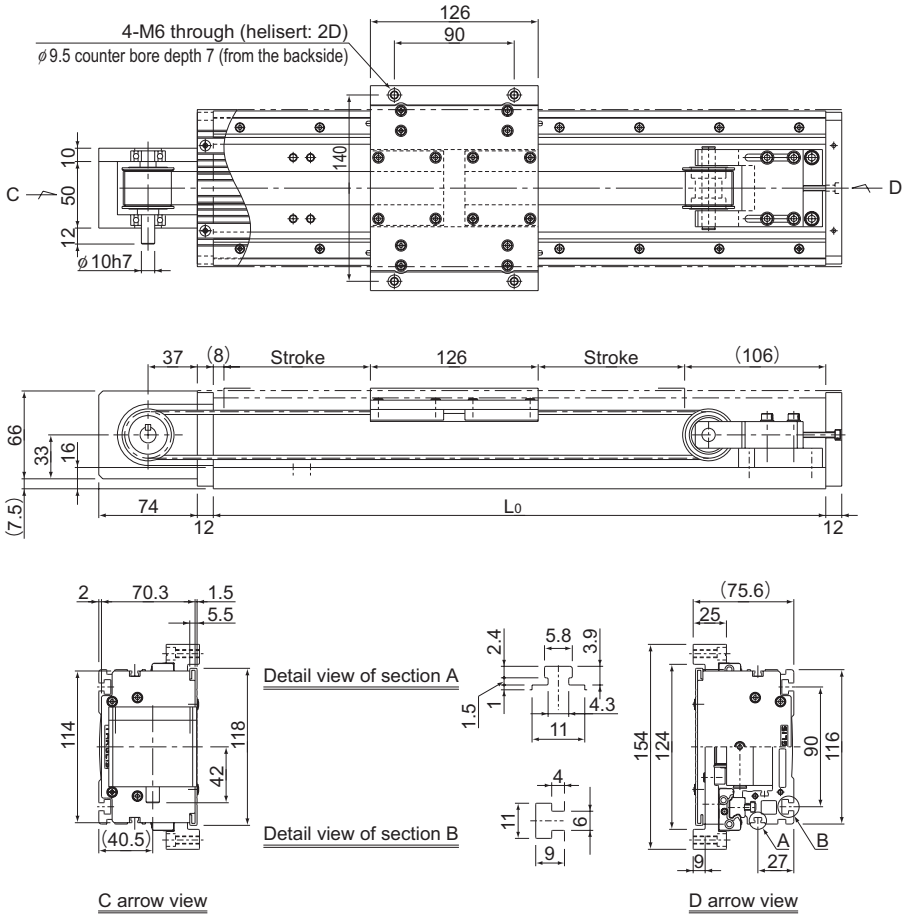
Belt Drive Type Long Table Type of Model GL15



Base length L_0 (mm)	340	460	580	700	820	1060	1240	1420	1600	1780	1960
Stroke (mm)	70	190	310	430	550	790	970	1150	1330	1510	1690
Mass (kg)	7.9	8.8	9.8	10.8	11.8	13.7	15.2	16.6	18.1	19.6	21.0

* Mass of moving element (table): 1.7 (kg)
 For model number coding, see B-356.

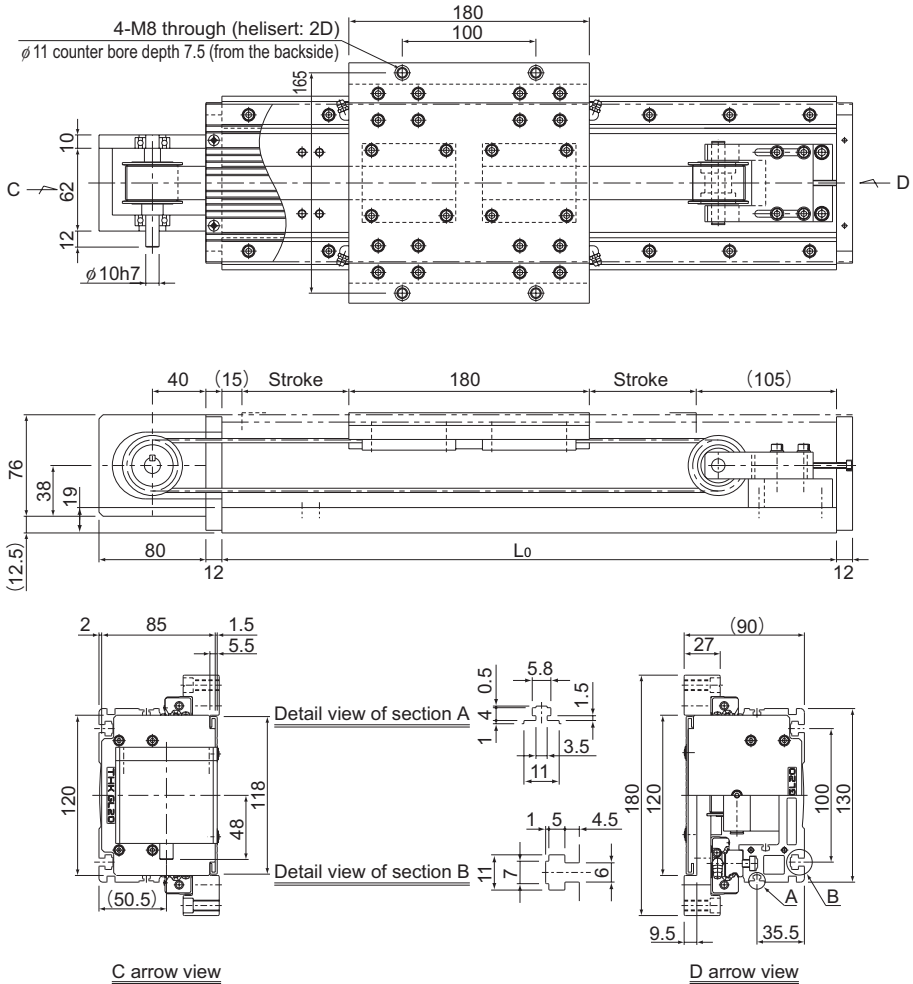
Belt Drive Type Short Table Type of Model GL15



Base length L_0 (mm)	340	460	580	700	820	1060	1240	1420	1600	1780	1960
Stroke (mm)	100	220	340	460	580	820	1000	1180	1360	1540	1720
Mass (kg)	7.0	8.0	9.0	9.9	10.9	12.9	14.3	15.8	17.3	18.7	20.2

* Mass of moving element (table): 1.3 (kg)
 For model number coding, see B-356.

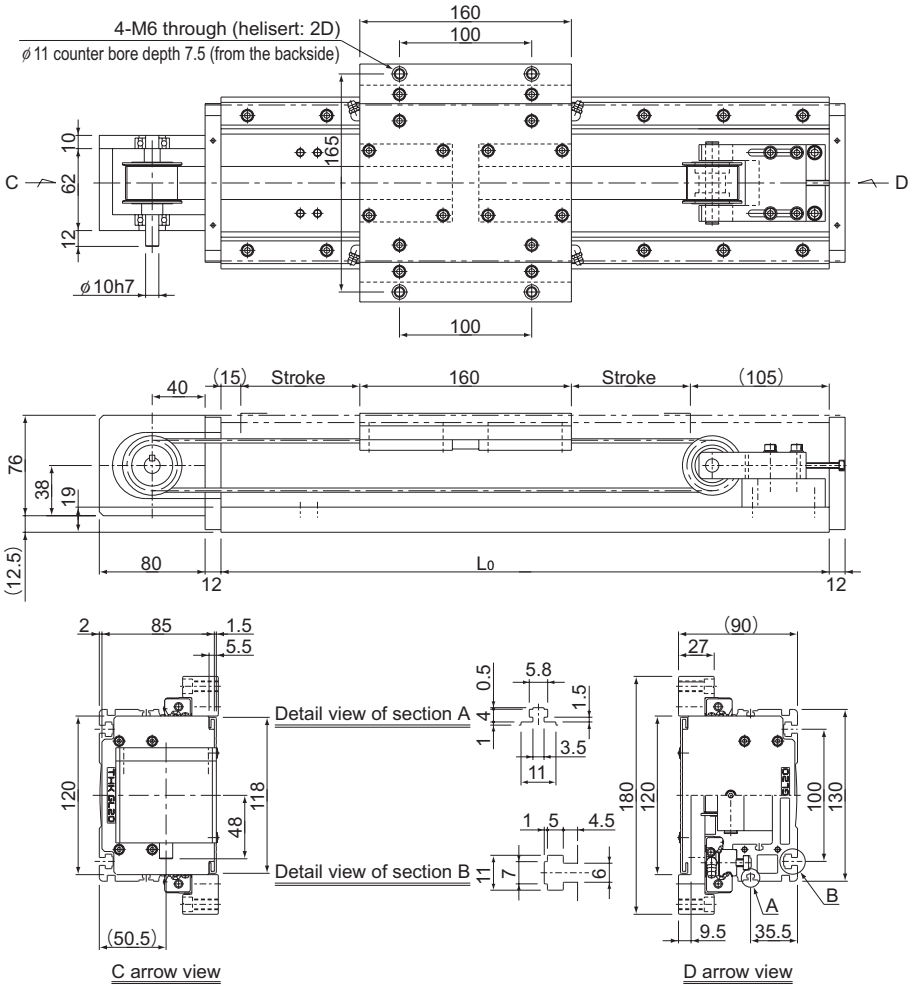
Belt Drive Type Long Table Type of Model GL20



Base length L_0 (mm)	460	580	700	820	1060	1240	1420	1600	1780	1960	2200	2320	2500	3000
Stroke (mm)	160	280	400	520	760	940	1120	1300	1480	1660	1900	2020	2200	2700
Mass (kg)	11.5	12.8	14.2	15.5	18.1	20.1	22.1	24.1	26.1	28.1	30.7	32.0	34.0	39.6

* Mass of moving element (table): 2.8 (kg)
For model number coding, see B-356.

Belt Drive Type Short Table Type of Model GL20



LM Actuator

Base length L_0 (mm)	460	580	700	820	1060	1240	1420	1600	1780	1960	2200	2320	2500	3000
Stroke (mm)	180	300	420	540	780	960	1140	1320	1500	1680	1920	2040	2220	2720
Mass (kg)	11.2	12.5	13.8	15.2	17.8	19.8	21.8	23.8	25.8	27.7	30.4	31.7	33.7	39.2

* Mass of moving element (table): 2.3 (kg)
 For model number coding, see B-356.