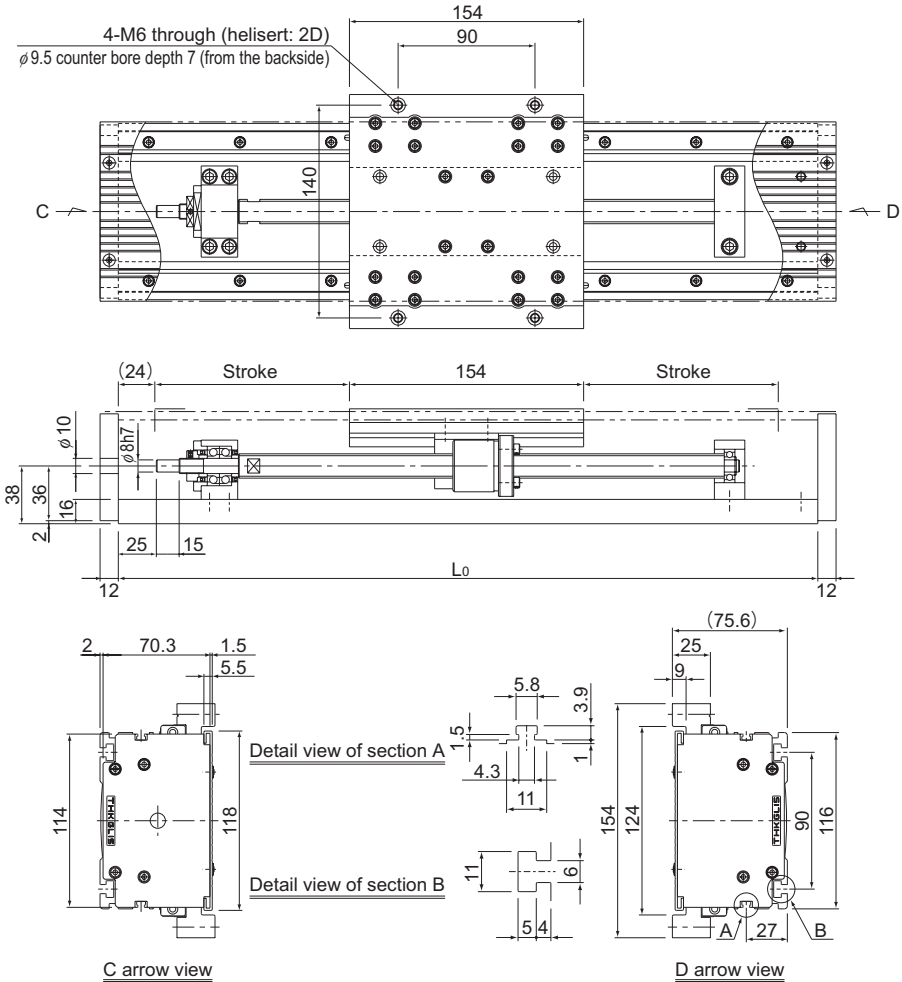


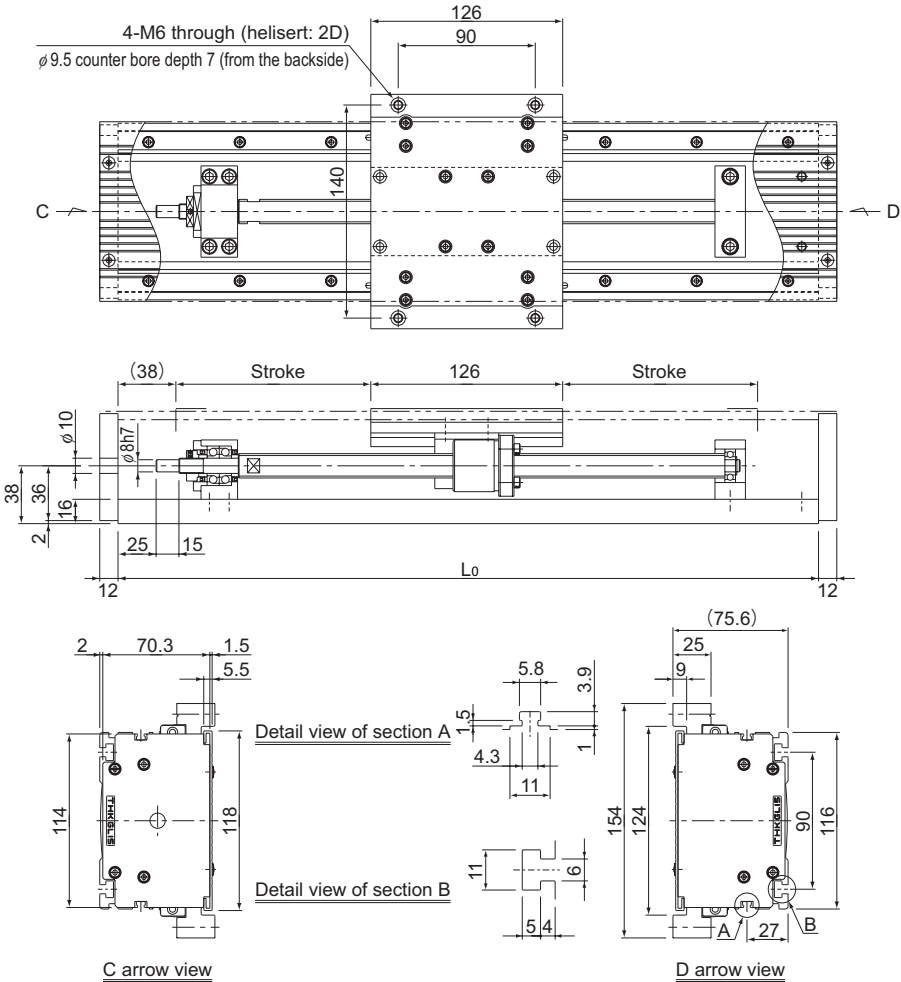
Ball Screw Drive Type Long Table Type of Model GL15



| Base length L_0 (mm) | 340 | 460 | 580 | 700 | 820 | 1060 | 1240 | 1420 |
|------------------------|-----|-----|-----|-----|------|------|------|------|
| Stroke (mm) | 100 | 220 | 340 | 460 | 580 | 820 | 1000 | 1180 |
| Mass (kg) | 5.7 | 6.8 | 7.9 | 9.0 | 10.2 | 12.4 | 14.1 | 15.8 |

* Mass of moving element (table): 1.7 (kg)
 For model number coding, see B-356.

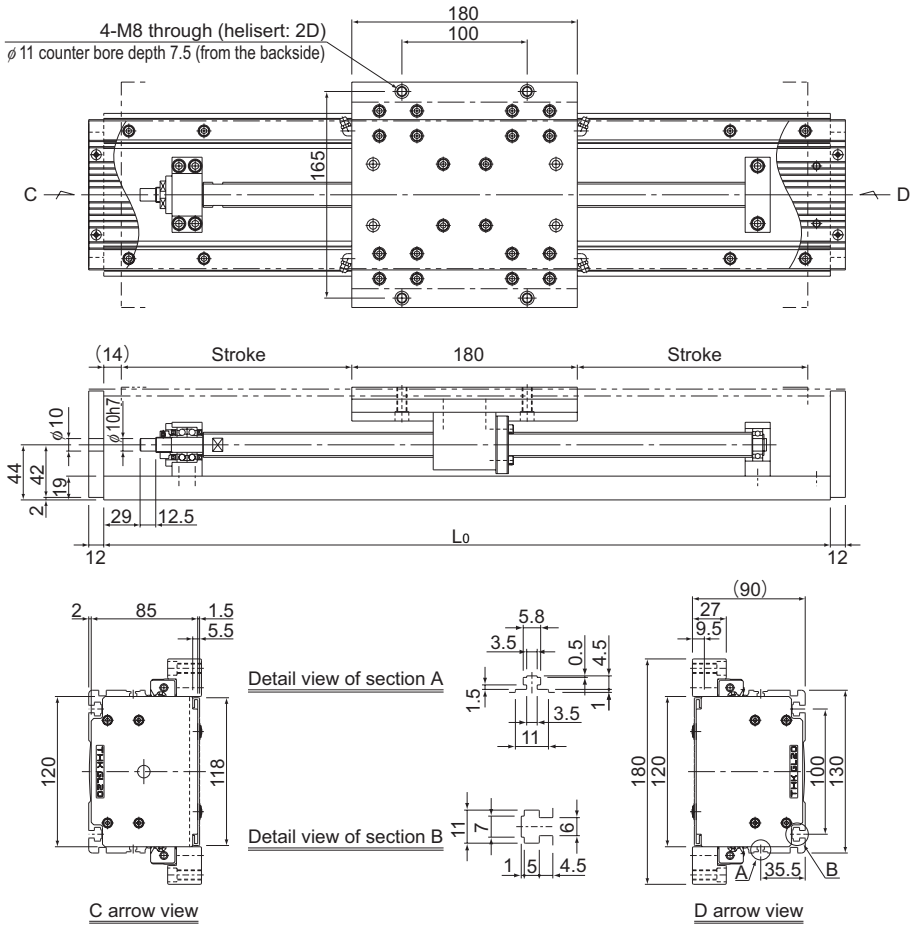
Ball Screw Drive Type Short Table Type of Model GL15



| | | | | | | | | |
|------------------------|-----|-----|-----|-----|------|------|------|------|
| Base length L_0 (mm) | 340 | 460 | 580 | 700 | 820 | 1060 | 1240 | 1420 |
| Stroke (mm) | 100 | 220 | 340 | 460 | 580 | 820 | 1000 | 1180 |
| Mass (kg) | 6.0 | 7.1 | 8.3 | 9.4 | 10.5 | 12.8 | 14.5 | 16.1 |

* Mass of moving element (table): 1.4 (kg)
 For model number coding, see B-356.

Ball Screw Drive Type Long Table Type of Model GL20

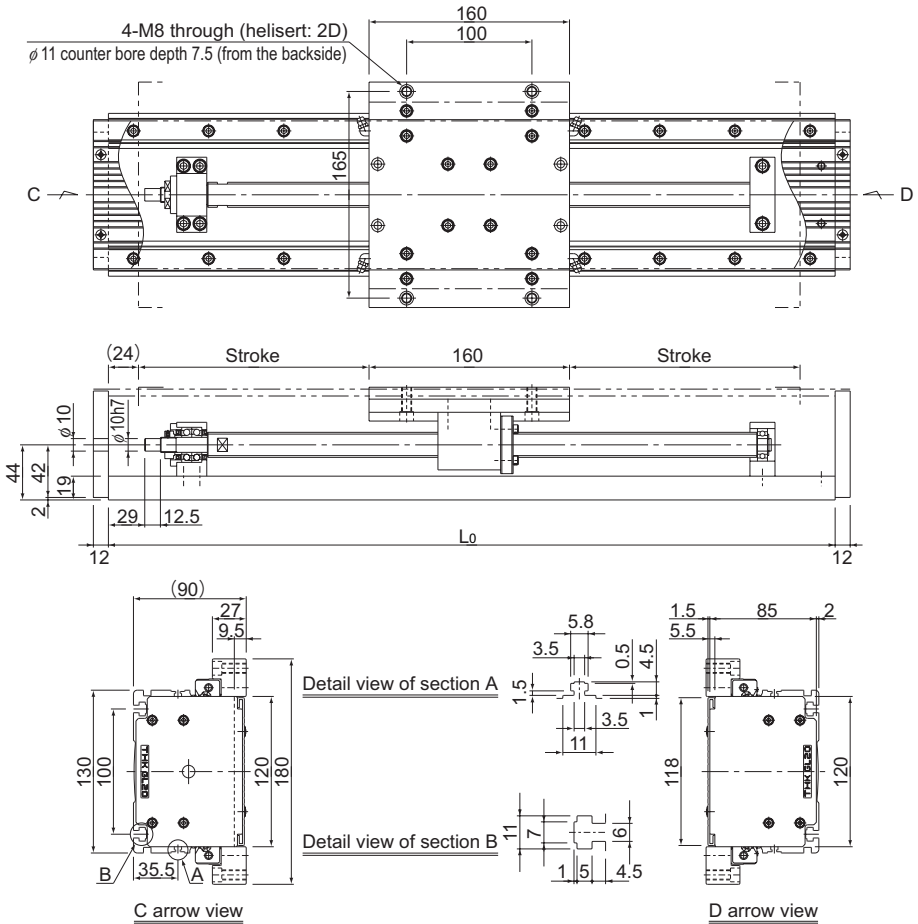


| Base length L_0 (mm) | 460 | 580 | 700 | 820 | 1060 | 1240 | 1420 | 1600 | 1780 |
|------------------------|-----|------|------|------|------|------|------|------|------|
| Stroke (mm) | 200 | 320 | 440 | 560 | 800 | 980 | 1160 | 1340 | 1520 |
| Mass (kg) | 9.6 | 11.2 | 12.8 | 14.3 | 17.9 | 20.3 | 22.7 | 25.0 | 27.4 |

* Mass of moving element (table): 3 (kg)
For model number coding, see B-356.

Ball Screw Drive Type Short Table Type of Model GL20

LM Actuator



| Base length L_0 (mm) | 460 | 580 | 700 | 820 | 1060 | 1240 | 1420 | 1600 | 1780 |
|------------------------|-----|------|------|------|------|------|------|------|------|
| Stroke (mm) | 200 | 320 | 440 | 560 | 800 | 980 | 1160 | 1340 | 1520 |
| Mass (kg) | 9.6 | 11.2 | 12.8 | 14.3 | 17.9 | 20.3 | 22.7 | 25.0 | 27.4 |

* Mass of moving element (table): 2.6 (kg)
 For model number coding, see B-356.