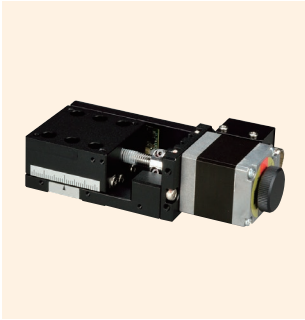


High-Grade X Stage 40 x 40, 50 x 50

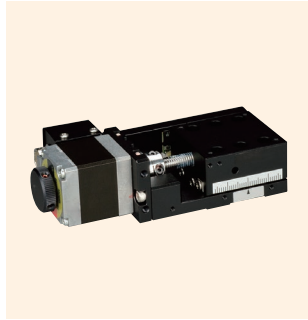


0.75 A/phase

0.75 A/phase motor



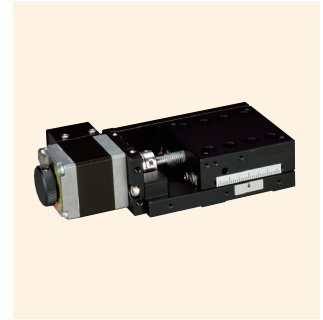
↑ TALS-4011-G1M



↑ TALS-4011-G1M-R



↑ TALS-5012-G1M



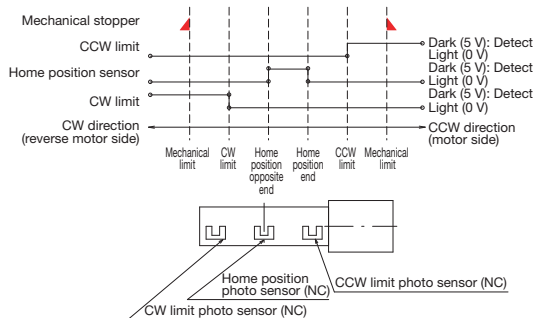
↑ TALS-5012-G1M-R

Features

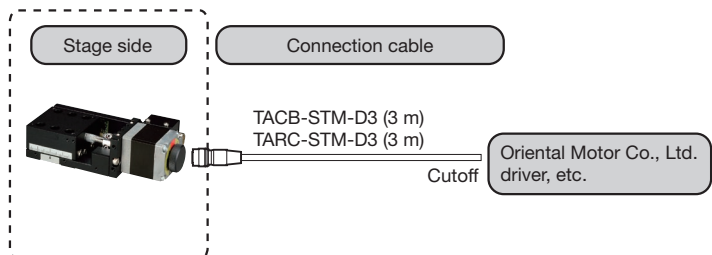
- A high-precision, high-rigidity motorized stage using the HG-VCR method.
- Precision screw and ball screw specifications are available.
- Versatile use for precision positioning of cameras, sensors, workpieces, and more.

Model number (standard)	TALS-4011-G0M	TALS-4011-G1M	TALS-5012-G0M	TALS-5012-G1M
Model number (symmetrical)	TALS-4011-G0M-R	TALS-4011-G1M-R	TALS-5012-G0M-R	TALS-5012-G1M-R
Model name	High-Grade X Stage			
Travel direction	X-axis single direction			
Travel amount	±7.5 mm		±10 mm	
Stage surface	40 mm x 40 mm		50 mm x 50 mm	
Motor used	PK523HPB equivalent (5-wire type pentagonal wiring, 0.75 A/phase)			
Resolution	0.001 mm	0.002 mm	0.001 mm	0.002 mm
Feed screw specification	Precision screw	Ball screw	Precision screw	Ball screw
Feed screw lead	0.5 mm	1 mm	0.5 mm	1 mm
Travel guide	HG-VCR (V-groove and cross rollers)			
Travel accuracy	Straightness (horizontal/vertical): 0.002 mm			
Positioning accuracy	Yawing 20 s, pitching 30 s	Yawing 15 s, pitching 25 s	Yawing 20 s, pitching 30 s	Yawing 15 s, pitching 25 s
Repeatability	±0.0005 mm	±0.0003 mm	±0.0005 mm	±0.0003 mm
Lost motion	0.005 mm	0.001 mm	0.005 mm	0.001 mm
Parallelism of motion	0.02 mm	0.015 mm	0.015 mm	0.01 mm
Moment rigidity	Yaw rigidity 0.25 s/N-cm, pitch rigidity 0.3 s/N-cm, roll rigidity 0.3 s/N-cm		Yaw rigidity 0.15 s/N-cm, pitch rigidity 0.2 s/N-cm, roll rigidity 0.2 s/N-cm	
Load capacity	49 N (5 kgf)			
Mass	0.32 kg		0.4 kg	
Maximum speed (at 8,000 pps)	8 mm/s	16 mm/s	8 mm/s	16 mm/s
Main materials/surface treatment	Aluminum alloy/black satin anodized finish			
Home position sensor	Normally closed contact point (break contact, B contact) operation, photo sensor			
Limit sensor	Normally closed contact point (break contact, B contact) operation, photo sensor			
Applicable cables	TACB-STM-D3, TARC-STM-D3			

◆ Sensor operating logic and timing chart



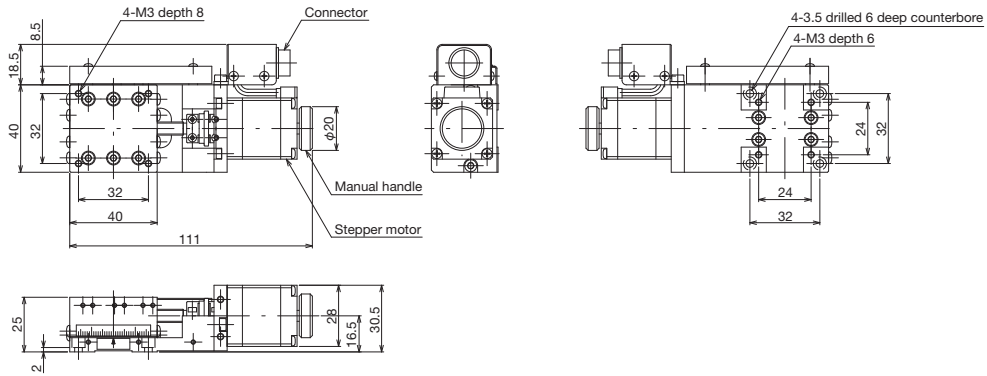
◆ Connection method: Connection cable and driver



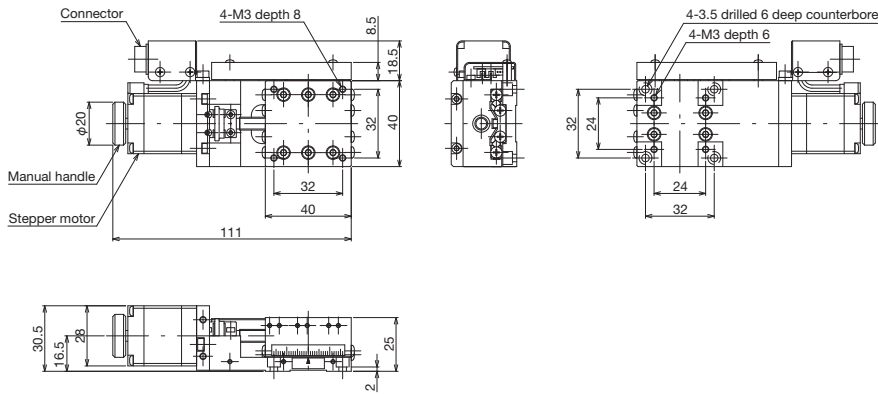


High-Grade Stages ◀ Motorized Stages ▶

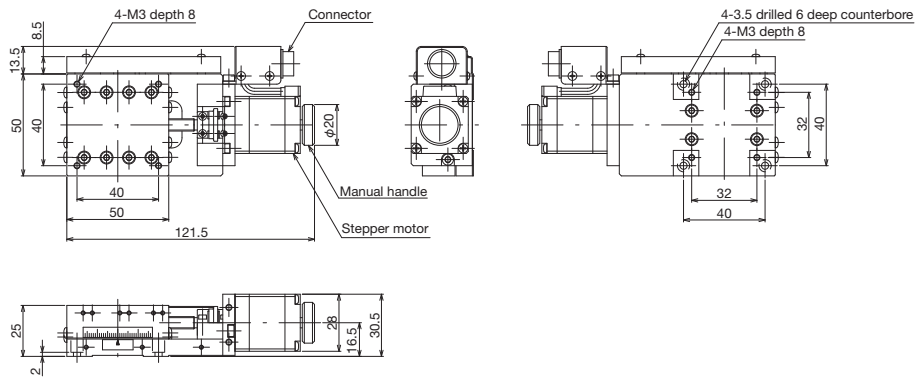
Product Appearance



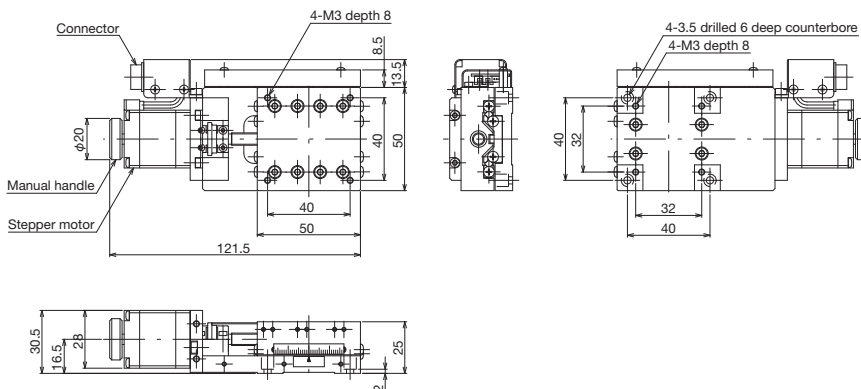
*TALS-4011-G0M has the same dimensions as TALS-4011-G1M. ↑ TALS-4011-G1M



*TALS-4011-G0M-R has the same dimensions as TALS-4011-G1M-R. ↑ TALS-4011-G1M-R



*TALS-5012-G0M has the same dimensions as TALS-5012-G1M. ↑ TALS-5012-G1M



*TALS-5012-G0M-R has the same dimensions as TALS-5012-G1M-R. ↑ TALS-5012-G1M-R

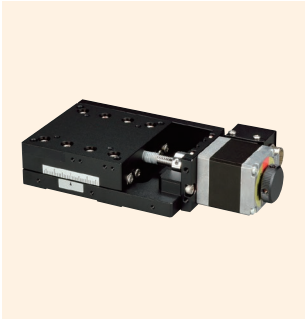
Motorized Stages	Automated Products for Microscopes	High-Grade Stages (30 mm x 30 mm Contact Stages)	Class Roller Stages	Ball Bushing Stages	High-Precision/High-Rigidity Stages	Z-Lift Stages	Tilt Stages	Connection Cases	Actuators
------------------	------------------------------------	--	---------------------	---------------------	-------------------------------------	---------------	-------------	------------------	-----------

High-Grade X Stage 60 x 60, 70 x 70



0.75 A/phase

0.75 A/phase motor



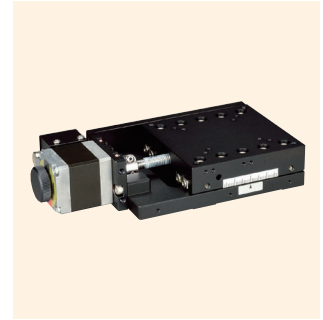
↑ TALS-6012-G1M



↑ TALS-6012-G1M-R



↑ TALS-7013-G1M



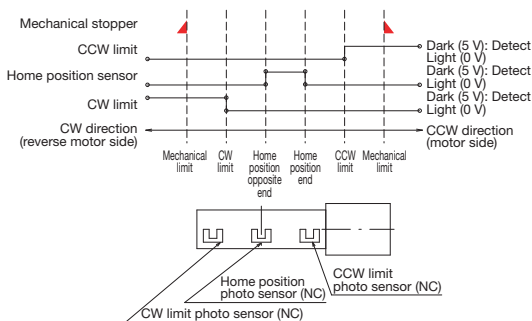
↑ TALS-7013-G1M-R

Features

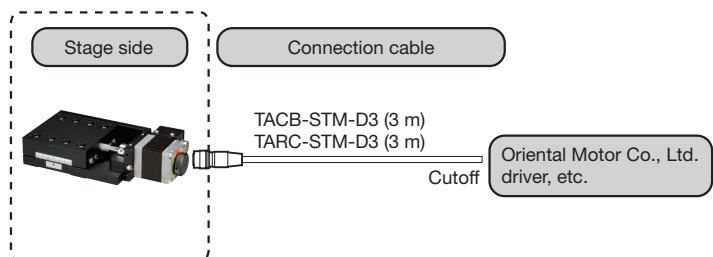
- A high-precision, high-rigidity motorized stage using the HG-VCR method.
- Precision screw and ball screw specifications are available.
- Versatile use for precision positioning of cameras, sensors, workpieces, and more.

Model number (standard)	TALS-6012-G0M	TALS-6012-G1M	TALS-7013-G0M	TALS-7013-G1M
Model number (symmetrical)	TALS-6012-G0M-R	TALS-6012-G1M-R	TALS-7013-G0M-R	TALS-7013-G1M-R
Model name	High-Grade X Stage			
Travel direction	X-axis single direction			
Travel amount	±12.5 mm		±15 mm	
Stage surface	60 mm x 60 mm		70 mm x 70 mm	
Motor used	PK523HPB equivalent (5-wire type pentagonal wiring, 0.75 A/phase)			
Resolution	0.001 mm	0.002 mm	0.001 mm	0.002 mm
Feed screw specification	Precision screw	Ball screw	Precision screw	Ball screw
Feed screw lead	0.5 mm	1 mm	0.5 mm	1 mm
Travel guide	HG-VCR (V-groove and cross rollers)			
Travel accuracy	Straightness (horizontal/vertical): 0.002 mm			
Positioning accuracy	Yawing 20 s, pitching 30 s	Yawing 15 s, pitching 25 s	Yawing 20 s, pitching 30 s	Yawing 15 s, pitching 25 s
Repeatability	±0.0005 mm	±0.0003 mm	±0.0005 mm	±0.0003 mm
Lost motion	0.005 mm	0.001 mm	0.005 mm	0.001 mm
Parallelism of motion	0.015 mm	0.01 mm	0.015 mm	0.01 mm
Moment rigidity	Yaw rigidity 0.1 s/N-cm, pitch rigidity 0.1 s/N-cm, roll rigidity 0.1 s/N-cm		Yaw rigidity 0.06 s/N-cm, pitch rigidity 0.08 s/N-cm, roll rigidity 0.08 s/N-cm	
Load capacity	49 N (5 kgf)			
Mass	0.5 kg		0.62 kg	
Maximum speed (at 8,000 pps)	8 mm/s	16 mm/s	8 mm/s	16 mm/s
Main materials/surface treatment	Aluminum alloy/black satin anodized finish			
Home position sensor	Normally closed contact point (break contact, B contact) operation, photo sensor			
Limit sensor	Normally closed contact point (break contact, B contact) operation, photo sensor			
Applicable cables	TACB-STM-D3, TARC-STM-D3			

◆ Sensor operating logic and timing chart



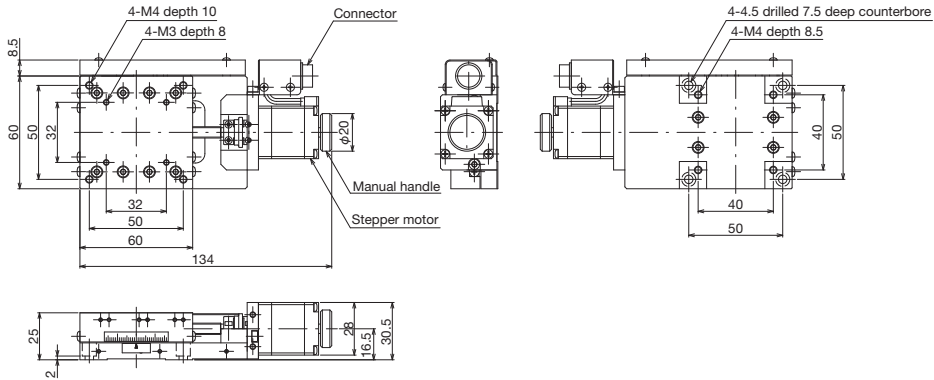
◆ Connection method: Connection cable and driver



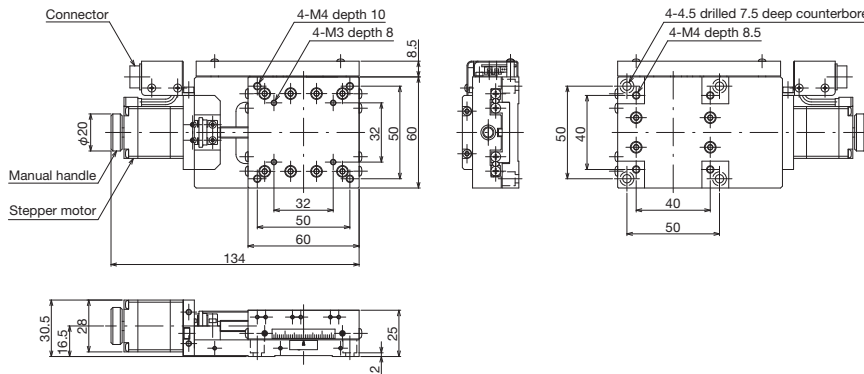


High-Grade Stages ◀ Motorized Stages ▶

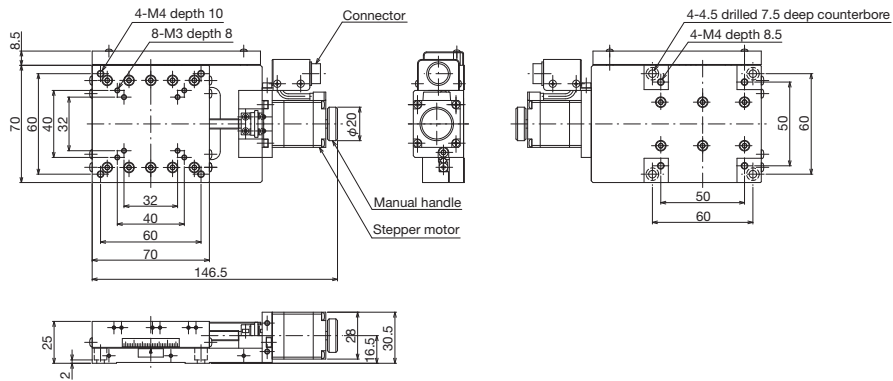
Product Appearance



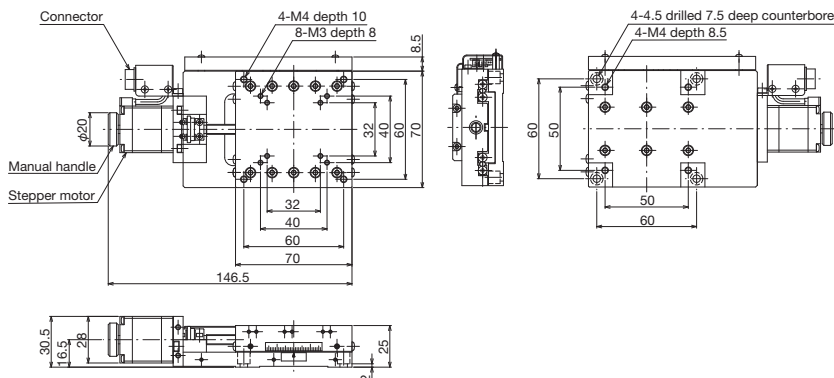
*TALS-6012-G0M has the same dimensions as TALS-6012-G1M. ↑ TALS-6012-G1M



*TALS-6012-G0M-R has the same dimensions as TALS-6012-G1M-R. ↑ TALS-6012-G1M-R



*TALS-7013-G0M has the same dimensions as TALS-7013-G1M. ↑ TALS-7013-G1M



*TALS-7013-G0M-R has the same dimensions as TALS-7013-G1M-R. ↑ TALS-7013-G1M-R

Motorized Stages	Automated Products for Microscopes	High-Grade Stages (30 mm x 30 mm) Coarse Stages	Class Roller Stages	Ball Bushing Stages	High-Precision/High-Rigidity Stages	Z-Like Stages	TTR Stages	Connection Cases	Actuators
------------------	------------------------------------	---	---------------------	---------------------	-------------------------------------	---------------	------------	------------------	-----------