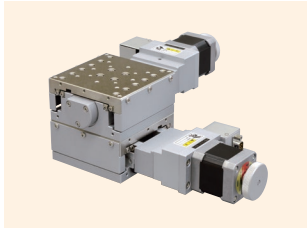


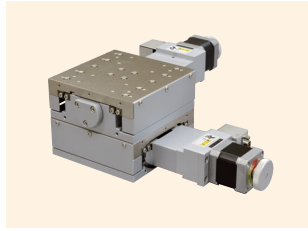
▶ Motorized Stages ▶ Cross Roller Stages

XY Stages 90 x 90, 125 x 125, 150 x 180, 200 x 250

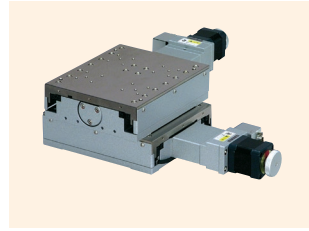
V-CR method **0.75 A/phase** 0.75 A/phase motor



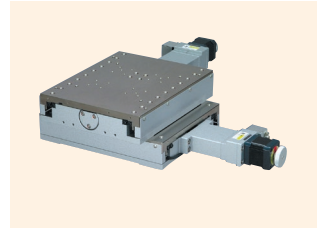
↑ TALD-904-H1PC



↑ TALD-106-H1PC



↑ TALD-510-H1P



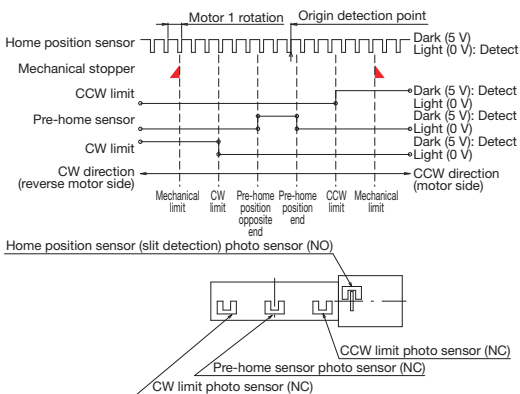
↑ TALD-215-H1P

Features

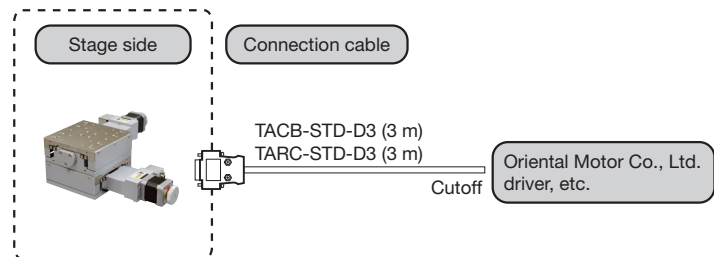
- A motorized XY stage that adopts a V-groove and cross roller guide for high precision.
- The travel guide and ball screw are coated with clean room grease.
- Can be used for applications for automatic positioning of various sensors and workpieces.
- Pre-home sensor and limit sensor positions can be adjusted.

Model number	TALD-904-H1PC	TALD-106-H1PC	TALD-510-H1P	TALD-215-H1P
Model name	XY Stage			
Travel direction	XY-axis double direction			
Travel amount	±20 mm	±30 mm	±50 mm	±75 mm
Stage surface	90 mm x 90 mm	125 mm x 125 mm	150 mm x 180 mm	200 mm x 250 mm
Motor used	PK545NBW equivalent (5-wire type pentagonal wiring, 0.75 A/phase)			
Resolution	0.002 mm			
Feed screw specification	Ball screw			
Feed screw lead	1 mm			
Travel guide	V-groove and cross rollers			
Travel accuracy	Straightness (horizontal/vertical): 0.003 mm		Straightness (horizontal/vertical): 0.004 mm	
Positioning accuracy	0.005 mm	0.006 mm	0.010 mm	0.015 mm
Repeatability	±0.0006 mm	±0.0005 mm	±0.0007 mm	±0.0008 mm
Lost motion	0.001 mm			
XY orthogonality	0.006 mm	0.008 mm	0.01 mm	0.012 mm
Moment rigidity	Yaw rigidity 0.6sec/N-cm, pitch rigidity 0.4sec/N-cm, roll rigidity 0.4sec/N-cm	Yaw rigidity 0.2sec/N-cm, pitch rigidity 0.15sec/N-cm, roll rigidity 0.15sec/N-cm	Yaw rigidity 0.04sec/N-cm, pitch rigidity 0.03sec/N-cm, roll rigidity 0.03sec/N-cm	
Load capacity	166 N (17 kgf)	343 N (35 kgf)	392 N (40 kgf)	343 N (35 kgf)
Mass	5.6 kg	9.8 kg	16 kg	29 kg
Maximum speed (at 8,000 pps)	16 mm/s			
Main materials/surface treatment	Steel: Electroless nickel plating (table), coating (base)			
Home position sensor	Normally open contact (make contact, A contact) operation, photo sensor			
Pre-home sensor	Normally closed contact point (break contact, B contact) operation, photo sensor			
Limit sensor	Normally closed contact point (break contact, B contact) operation, photo sensor			
Applicable cables	TACB-STD-D3, TARC-STD-D3			

◆ Sensor operating logic and timing chart



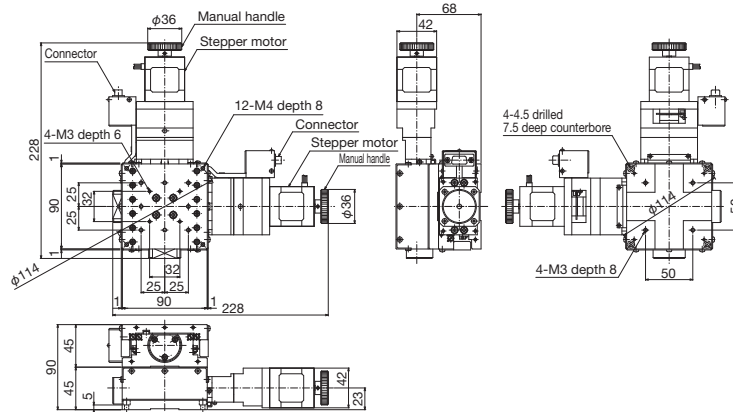
◆ Connection method: Connection cable and driver



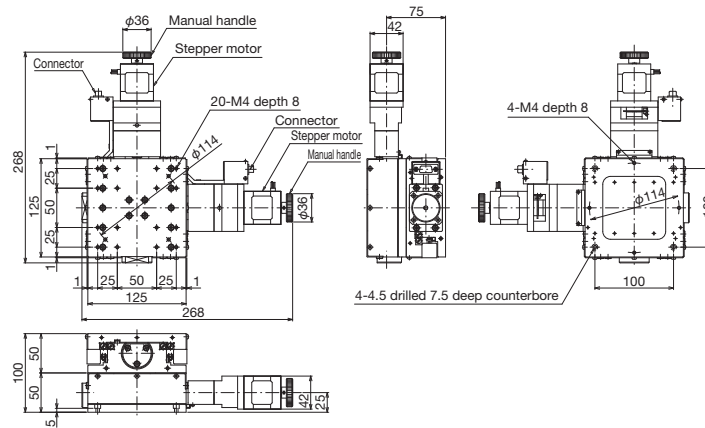


Cross Roller Stages ◀ Motorized Stages ◀

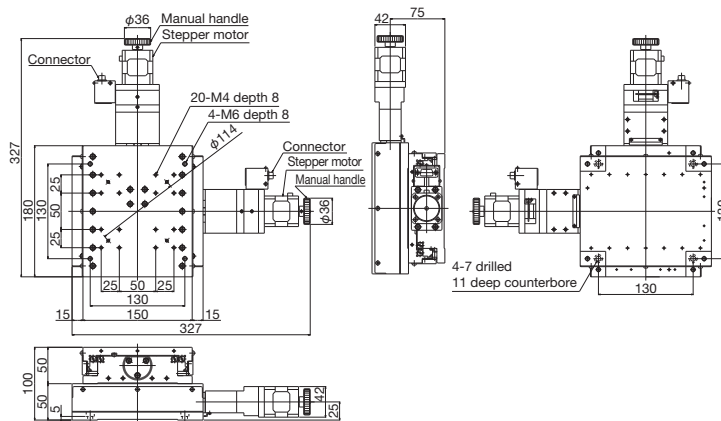
Product Appearance



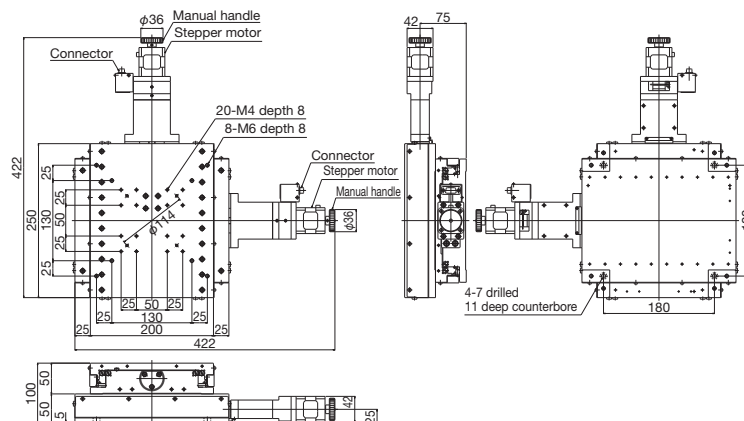
↑ TALD-904-H1PC



↑ TALD-106-H1PC



↑ TALD-510-H1P



↑ TALD-215-H1P

Motorized Stages	Automated Products for Microscopes
Manual Stages	High-Grade Stages
High-Grade Stages	30 mm x 30 mm (φ30 mm) Coarse Stages
Coarse Stages	Cross Roller Stages
Cross Roller Stages	Ball Bushing Stages
Ball Bushing Stages	High-Precision/High-Rigidity Stages
High-Precision/High-Rigidity Stages	Z-Like Stages
Z-Like Stages	TIL Stages
TIL Stages	Connection Cases
Connection Cases	Actuators