

Rack & Pinion - XZ Stages 40 x 40



↑ TLM-412



↑ TLM-412W



↑ TLM-412S



↑ TLM-412WS

Features

- The travel unit uses a dovetail (D-T method) for the travel guide.
- A rack & pinion is used for the feed method, achieving large travel amounts.
- Versatile use for positioning of cameras, sensors, etc.
- A lever type clamp enables fixing in a desired position with strong retention force.
- Low bracket products with a short Z bracket are available.

Low bracket

Model number	TLM-412L	TLM-412WL	TLM-412SL	TLM-412WSL
Model name	DT XZ Stage 40 x 40	DT XZ Stage 40 x 40 (Double Knob)	DT XZ Stage 40 x 40 (Coarse/Fine Movement Knob)	DT XZ Stage 40 x 40 (Double Coarse/Fine Movement Knob)
Travel direction	XZ-axis double direction			
Stage surface	40 mm x 40 mm			
Clamp method	Lever method			
Operating part mounting position	Single knob	Double knob	Single coarse/fine movement knob	Double coarse/fine movement knob
Feed method	Rack & pinion method			
Travel amount	X axis ±10 mm, Z axis 10 mm			
Travel amount/1 knob rotation	Approx. 18 mm		Coarse movement: approx. 25.5 mm, Fine movement: approx. 3.3 mm	
Scale	Vernier reading: 0.1 mm			
Sensitivity	0.1 mm			
Travel guide	Dovetail			
Travel accuracy	Straightness: 0.03 mm			
Load capacity	19.6 N (2 kgf)			
Mass	0.47 kg	0.52 kg	0.61 kg	0.72 kg
Main materials/surface treatment	Aluminum alloy/black satin anodized finish			

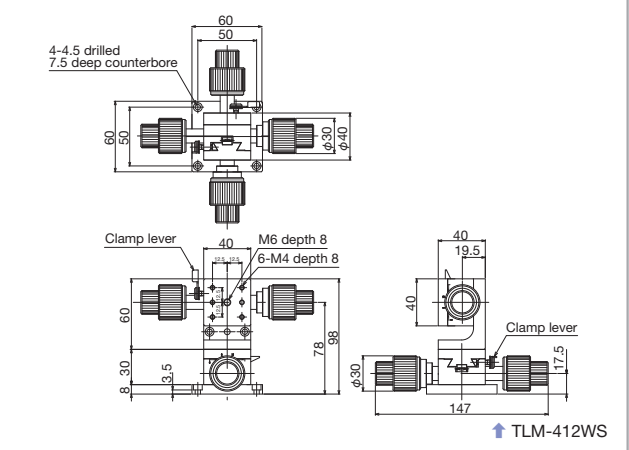
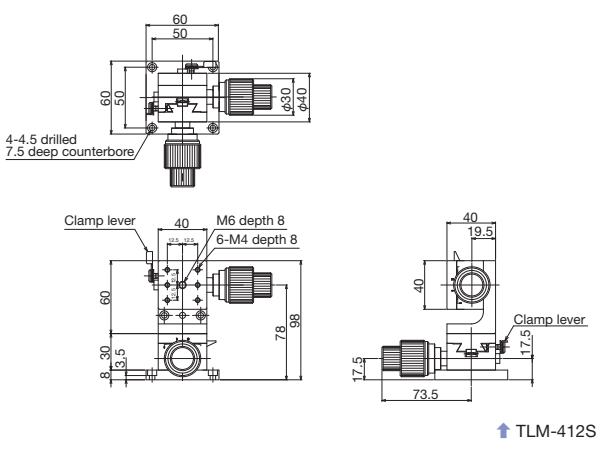
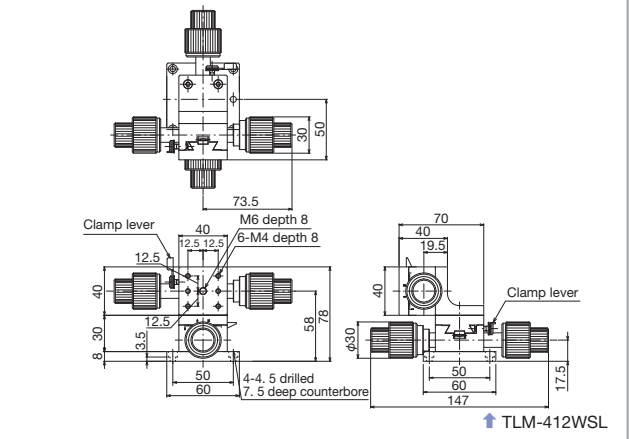
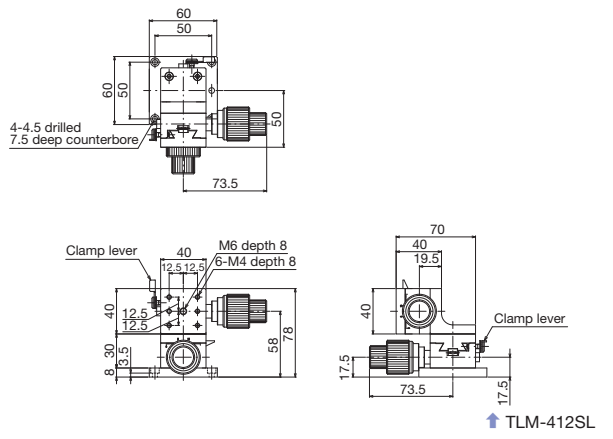
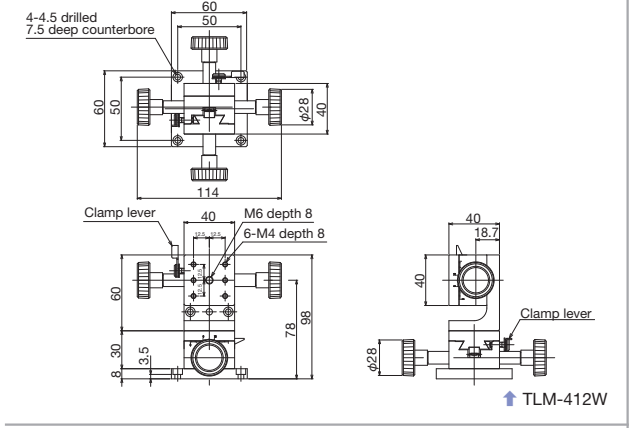
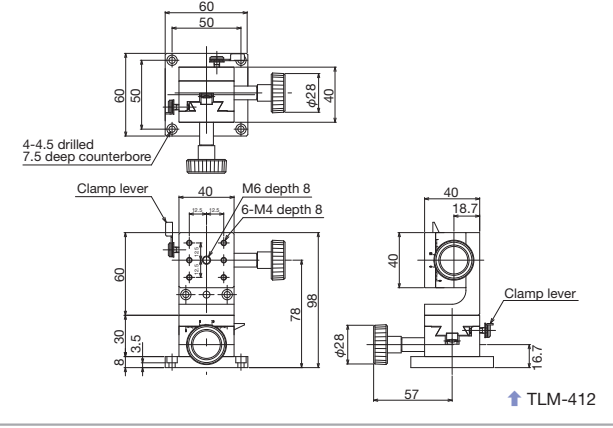
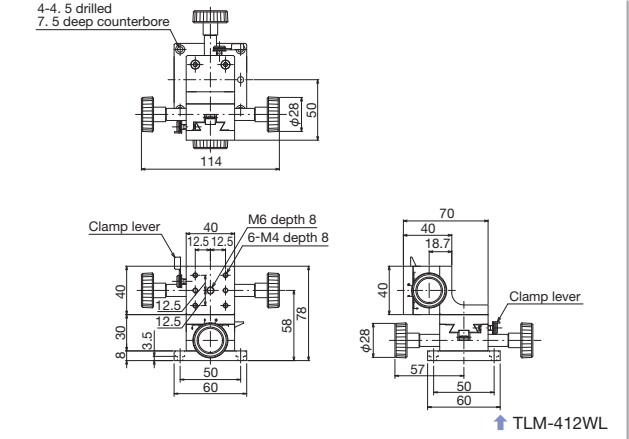
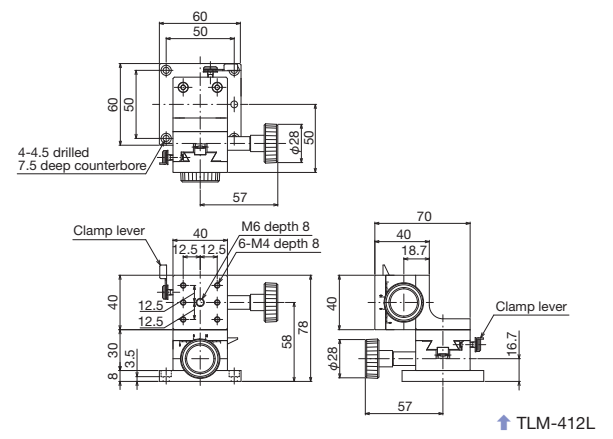
Regular bracket

Model number	TLM-412	TLM-412W	TLM-412S	TLM-412WS
Model name	DT XZ Stage 40 x 40	DT XZ Stage 40 x 40 (Double Knob)	DT XZ Stage 40 x 40 (Coarse/Fine Movement Knob)	DT XZ Stage 40 x 40 (Double Coarse/Fine Movement Knob)
Travel direction	XZ-axis double direction			
Stage surface	40 mm x 40 mm			
Clamp method	Lever method			
Operating part mounting position	Single knob	Double knob	Single coarse/fine movement knob	Double coarse/fine movement knob
Feed method	Rack & pinion method			
Travel amount	±10 mm			
Travel amount/1 knob rotation	Approx. 18 mm		Coarse movement: approx. 25.5 mm, Fine movement: approx. 3.3 mm	
Scale	Vernier reading: 0.1 mm			
Sensitivity	0.1 mm			
Travel guide	Dovetail			
Travel accuracy	Straightness: 0.03 mm			
Load capacity	19.6 N (2 kgf)			
Mass	0.5 kg	0.55 kg	0.64 kg	0.75 kg
Main materials/surface treatment	Aluminum alloy/black satin anodized finish			



Rack & Pinion Stages ◀ Manual Stages ◀

Product Appearance



Motorized Stages	Automated Products for Microscopes	Manual Stages
Fix Stages	Thin VB Stages	Rack & Pinion Stages
High-Grade Stages	Slit Stages, Cross Roller Stages	Z-Like Stages, Z Stages
Relay Stages	Tilt Stages	Tilt/Relay Stages
XZ, YZ Stages	X, Y, Z Stages	

Rack & Pinion - XZ Stages 40 x 60



↑ TLM-612



↑ TLM-612W



↑ TLM-612S



↑ TLM-612WS

Features

- The travel unit uses a dovetail (D-T method) for the travel guide.
- A rack & pinion is used for the feed method, achieving large travel amounts.
- Versatile use for positioning of cameras, sensors, etc.
- A lever type clamp enables fixing in a desired position with strong retention force.
- Low bracket products with a short Z bracket are available.

Low bracket

Model number	TLM-612L	TLM-612WL	TLM-612SL	TLM-612WSL
Model name	DT XZ Stage 40 x 60	DT XZ Stage 40 x 60 (Double Knob)	DT XZ Stage 40 x 60 (Coarse/Fine Movement Knob)	DT XZ Stage 40 x 60 (Double Coarse/Fine Movement Knob)
Travel direction	XZ-axis double direction			
Stage surface	40 mm x 60 mm			
Clamp method	Lever method			
Operating part mounting position	Single knob	Double knob	Single coarse/fine movement knob	Double coarse/fine movement knob
Feed method	Rack & pinion method			
Travel amount	X axis ±15 mm, Z axis 15 mm			
Travel amount/1 knob rotation	Approx. 18 mm		Coarse movement: approx. 25.5 mm, Fine movement: approx. 3.3 mm	
Scale	Vernier reading: 0.1 mm			
Sensitivity	0.1 mm			
Travel guide	Dovetail			
Travel accuracy	Straightness: 0.03 mm			
Load capacity	19.6 N (2 kgf)			
Mass	0.64 kg	0.68 kg	0.78 kg	0.9 kg
Main materials/surface treatment	Aluminum alloy/black satin anodized finish			

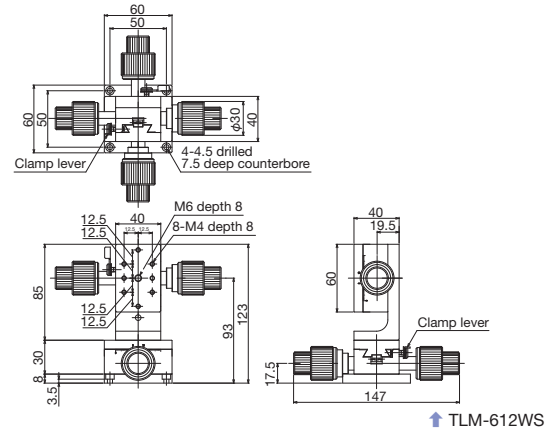
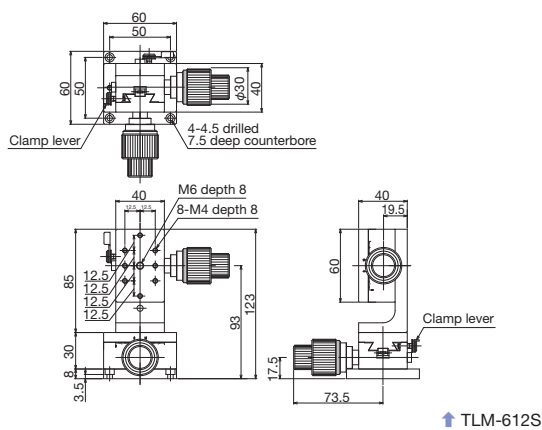
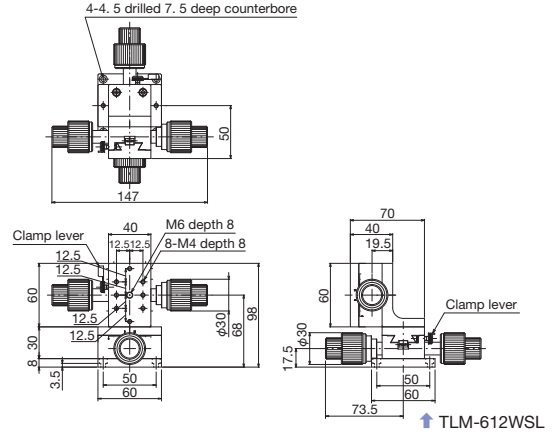
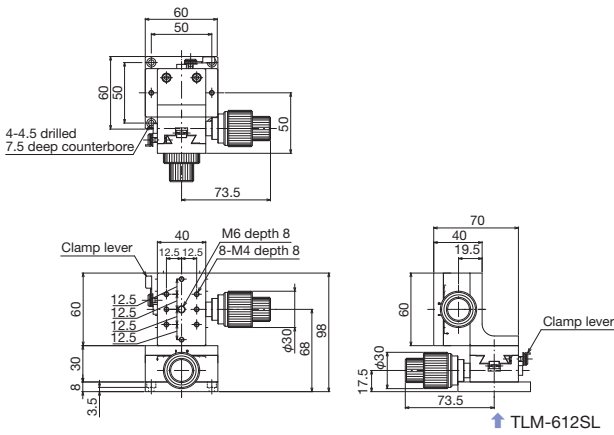
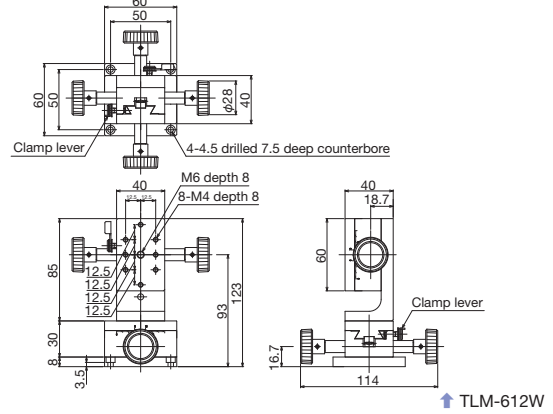
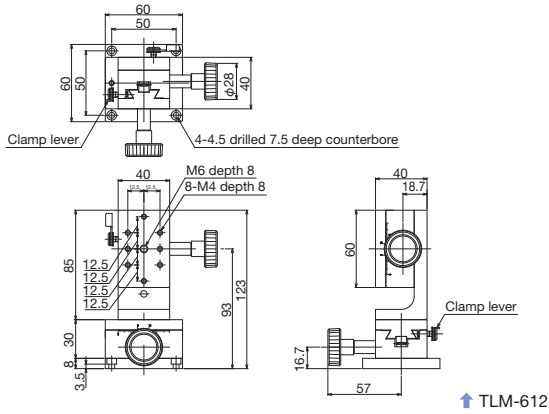
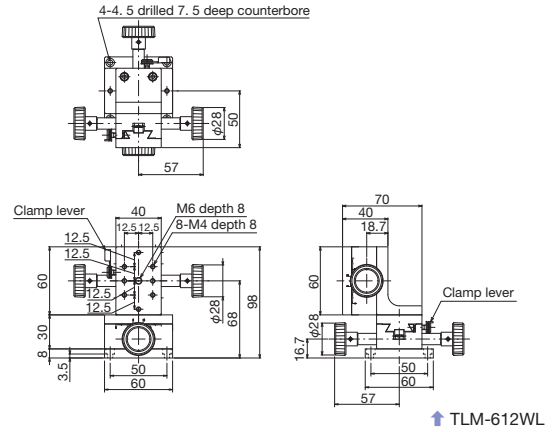
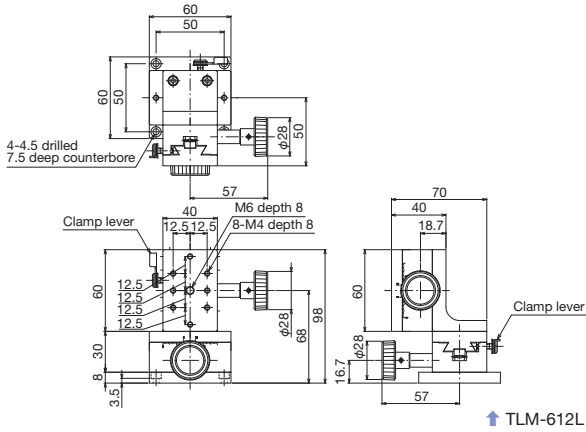
Regular bracket

Model number	TLM-612	TLM-612W	TLM-612S	TLM-612WS
Model name	DT XZ Stage 40 x 60	DT XZ Stage 40 x 60 (Double Knob)	DT XZ Stage 40 x 60 (Coarse/Fine Movement Knob)	DT XZ Stage 40 x 60 (Double Coarse/Fine Movement Knob)
Travel direction	XZ-axis double direction			
Stage surface	40 mm x 60 mm			
Clamp method	Lever method			
Operating part mounting position	Single knob	Double knob	Single coarse/fine movement knob	Double coarse/fine movement knob
Feed method	Rack & pinion method			
Travel amount	±15 mm			
Travel amount/1 knob rotation	Approx. 18 mm		Coarse movement: approx. 25.5 mm, Fine movement: approx. 3.3 mm	
Scale	Vernier reading: 0.1 mm			
Sensitivity	0.1 mm			
Travel guide	Dovetail			
Travel accuracy	Straightness: 0.03 mm			
Load capacity	19.6 N (2 kgf)			
Mass	0.67 kg	0.72 kg	0.8 kg	0.92 kg
Main materials/surface treatment	Aluminum alloy/black satin anodized finish			



Rack & Pinion Stages ◀ Manual Stages ◀

Product Appearance



Motorized Stages	Automated Products for Microscopes	Manual Stages
Fix Stages	Thin VB Stages	Rack & Pinion Stages
High-Grade Stages	Swiss Stages, Cross Roller Stages	Z-Like Stages, Rotary Stages
Tilt Stages	Tilt/Rotary Stages	XZ, YZ Stages, XYZ Stages

Rack & Pinion - XZ Stages 40 x 90



↑ TLM-912



↑ TLM-912W



↑ TLM-912S



↑ TLM-912WS

Features

- The travel unit uses a dovetail (D-T method) for the travel guide.
- A rack & pinion is used for the feed method, achieving large travel amounts.
- Versatile use for positioning of cameras, sensors, etc.
- A lever type clamp enables fixing in a desired position with strong retention force.
- Low bracket products with a short Z bracket are available.

Low bracket

Model number	TLM-912L	TLM-912WL	TLM-912SL	TLM-912WSL
Model name	DT XZ Stage 40 x 90	DT XZ Stage 40 x 90 (Double Knob)	DT XZ Stage 40 x 90 (Coarse/Fine Movement Knob)	DT XZ Stage 40 x 90 (Double Coarse/Fine Movement Knob)
Travel direction	XZ-axis double direction			
Stage surface	40 mm x 90 mm			
Clamp method	Lever method			
Operating part mounting position	Single knob	Double knob	Single coarse/fine movement knob	Double coarse/fine movement knob
Feed method	Rack & pinion method			
Travel amount	X axis ±30 mm, Z axis 30 mm			
Travel amount/1 knob rotation	Approx. 18 mm		Coarse movement: approx. 25.5 mm, Fine movement: approx. 3.3 mm	
Scale	Vernier reading: 0.1 mm			
Sensitivity	0.1 mm			
Travel guide	Dovetail			
Travel accuracy	Straightness: 0.03 mm			
Load capacity	19.6 N (2 kgf)			
Mass	0.85 kg	0.89 kg	0.99 kg	1.11 kg
Main materials/surface treatment	Aluminum alloy/black satin anodized finish			

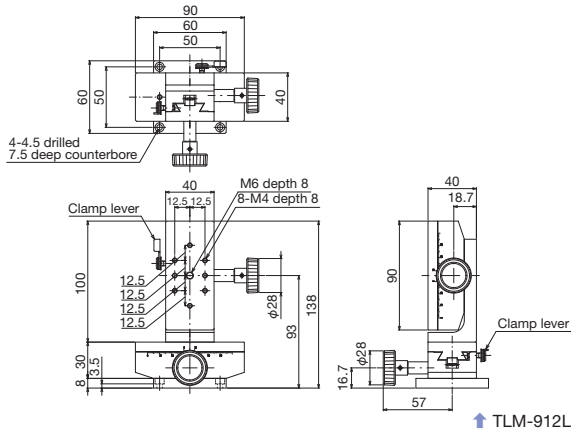
Regular bracket

Model number	TLM-912	TLM-912W	TLM-912S	TLM-912WS
Model name	DT XZ Stage 40 x 90	DT XZ Stage 40 x 90 (Double Knob)	DT XZ Stage 40 x 90 (Coarse/Fine Movement Knob)	DT XZ Stage 40 x 90 (Double Coarse/Fine Movement Knob)
Travel direction	XZ-axis double direction			
Stage surface	40 mm x 90 mm			
Clamp method	Lever method			
Operating part mounting position	Single knob	Double knob	Single coarse/fine movement knob	Double coarse/fine movement knob
Feed method	Rack & pinion method			
Travel amount	±30 mm			
Travel amount/1 knob rotation	Approx. 18 mm		Coarse movement: approx. 25.5 mm, Fine movement: approx. 3.3 mm	
Scale	Vernier reading: 0.1 mm			
Sensitivity	0.1 mm			
Travel guide	Dovetail			
Travel accuracy	Straightness: 0.03 mm			
Load capacity	19.6 N (2 kgf)			
Mass	0.87 kg	0.92 kg	1.01 kg	1.13 kg
Main materials/surface treatment	Aluminum alloy/black satin anodized finish			

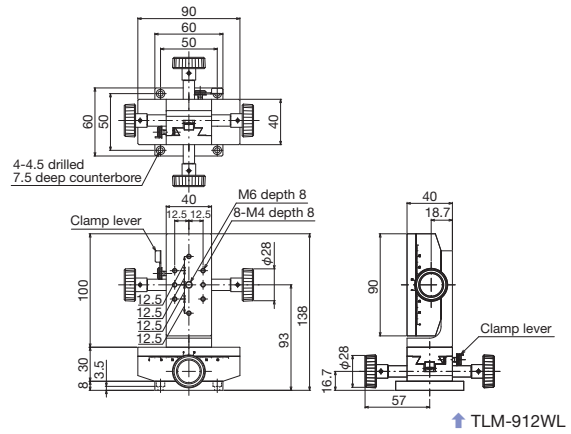


Rack & Pinion Stages ◀ Manual Stages ◀

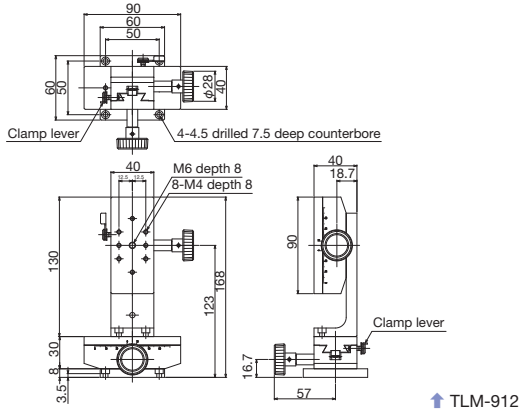
Product Appearance



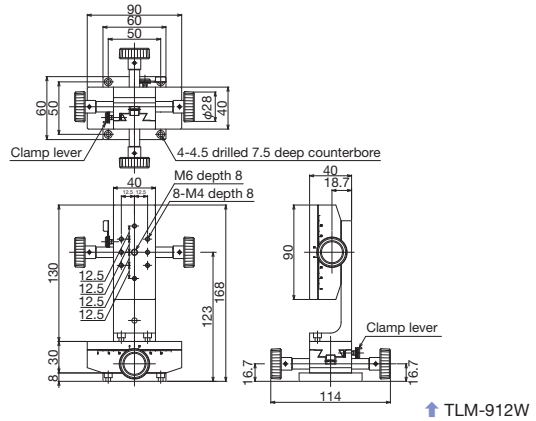
↑ TLM-912L



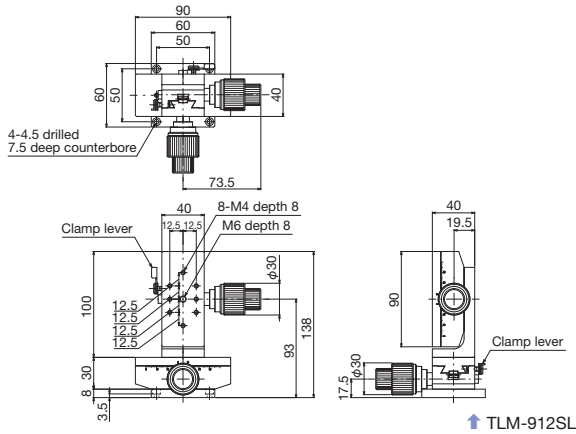
↑ TLM-912WL



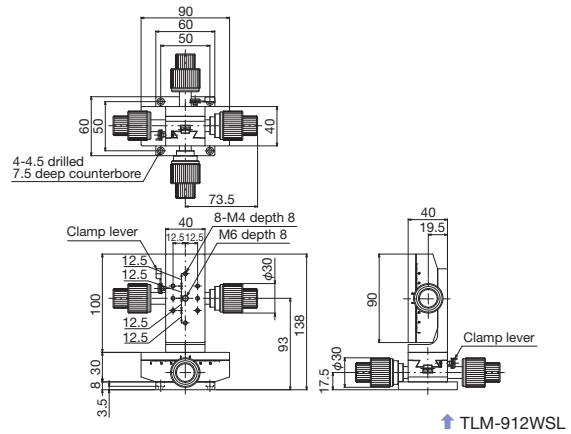
↑ TLM-912



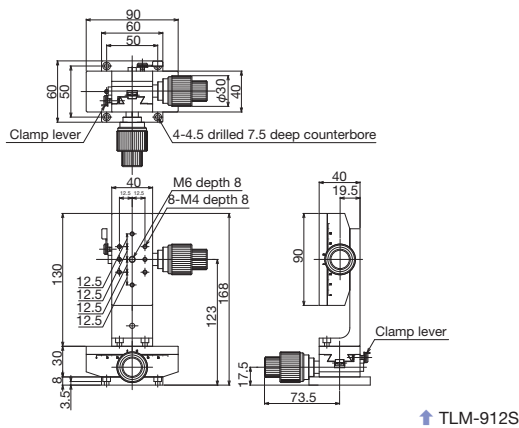
↑ TLM-912W



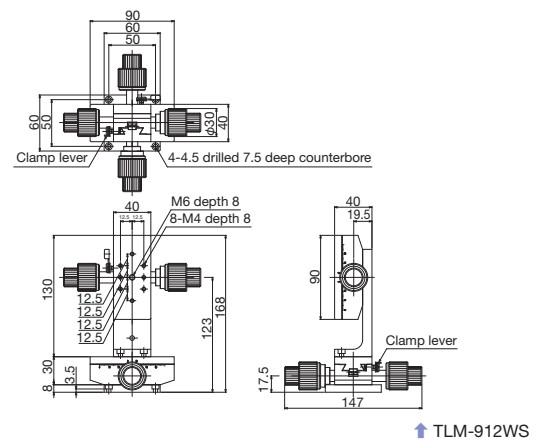
↑ TLM-912SL



↑ TLM-912WSL



↑ TLM-912S



↑ TLM-912WS

Motorized Stages	Automated Products for Microscopes	Manual Stages
Fix Stages	Thin V8 Stages	Rack & Pinion Stages
High-Grade Stages	Stein Stages, Cross Roller Stages	Z-Like Stages, Z Stages
Thin Stages	Thin Stages	Thin Stages
Thin/Relay Stages	XZ, YZ Stages	XZ Stages

Rack & Pinion - XZ Stages 40 x 140



↑ TLM-112



↑ TLM-112W



↑ TLM-112S



↑ TLM-112WS

Features

- The travel unit uses a dovetail (D-T method) for the travel guide.
- A rack & pinion is used for the feed method, achieving large travel amounts.
- Versatile use for positioning of cameras, sensors, etc.
- A lever type clamp enables fixing in a desired position with strong retention force.
- Low bracket products with a short Z bracket are available.

Low bracket

Model number	TLM-112L	TLM-112WL	TLM-112SL	TLM-112WSL
Model name	DT XZ Stage 40 x 140	DT XZ Stage 40 x 140 (Double Knob)	DT XZ Stage 40 x 140 (Coarse/Fine Movement Knob)	DT XZ Stage 40 x 140 (Double Coarse/Fine Movement Knob)
Travel direction	XZ-axis double direction			
Stage surface	40 mm x 140 mm			
Clamp method	Lever method			
Operating part mounting position	Single knob	Double knob	Single coarse/fine movement knob	Double coarse/fine movement knob
Feed method	Rack & pinion method			
Travel amount	X axis ±50 mm, Z axis 50 mm			
Travel amount/1 knob rotation	Approx. 18 mm		Coarse movement: approx. 25.5 mm, Fine movement: approx. 3.3 mm	
Scale	Vernier reading: 0.1 mm			
Sensitivity	0.1 mm			
Travel guide	Dovetail			
Travel accuracy	Straightness: 0.03 mm			
Load capacity	19.6 N (2 kgf)			
Mass	1.18 kg	1.24 kg	1.3 kg	1.42 kg
Main materials/surface treatment	Aluminum alloy/black satin anodized finish			

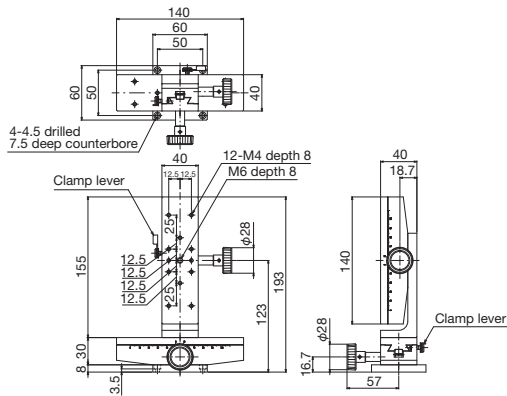
Regular bracket

Model number	TLM-112	TLM-112W	TLM-112S	TLM-112WS
Model name	DT XZ Stage 40 x 140	DT XZ Stage 40 x 140 (Double Knob)	DT XZ Stage 40 x 140 (Coarse/Fine Movement Knob)	DT XZ Stage 40 x 140 (Double Coarse/Fine Movement Knob)
Travel direction	XZ-axis double direction			
Stage surface	40 mm x 140 mm			
Clamp method	Lever method			
Operating part mounting position	Single knob	Double knob	Single coarse/fine movement knob	Double coarse/fine movement knob
Feed method	Rack & pinion method			
Travel amount	±50 mm			
Travel amount/1 knob rotation	Approx. 18 mm		Coarse movement: approx. 25.5 mm, Fine movement: approx. 3.3 mm	
Scale	Vernier reading: 0.1 mm			
Sensitivity	0.1 mm			
Travel guide	Dovetail			
Travel accuracy	Straightness: 0.03 mm			
Load capacity	19.6 N (2 kgf)			
Mass	1.23 kg	1.28 kg	1.34 kg	1.46 kg
Main materials/surface treatment	Aluminum alloy/black satin anodized finish			

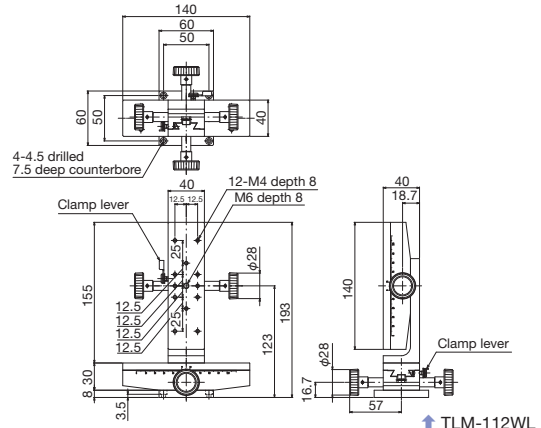


Rack & Pinion Stages ◀ Manual Stages ◀

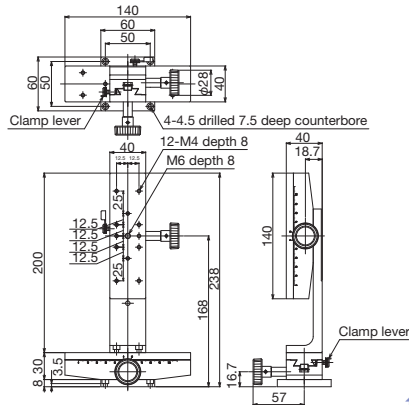
Product Appearance



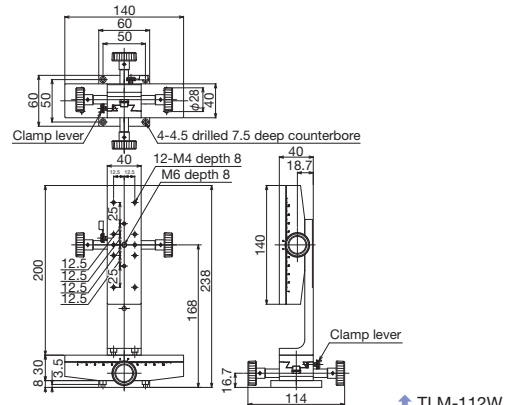
↑ TLM-112L



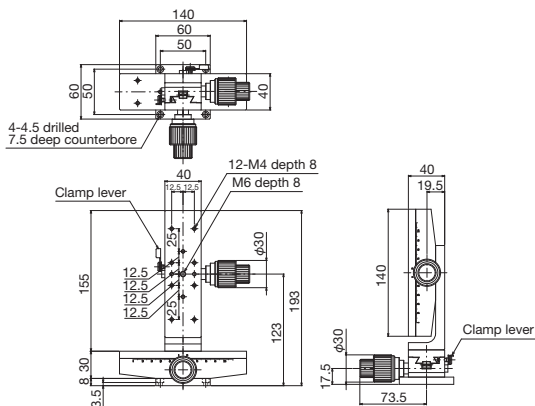
↑ TLM-112WL



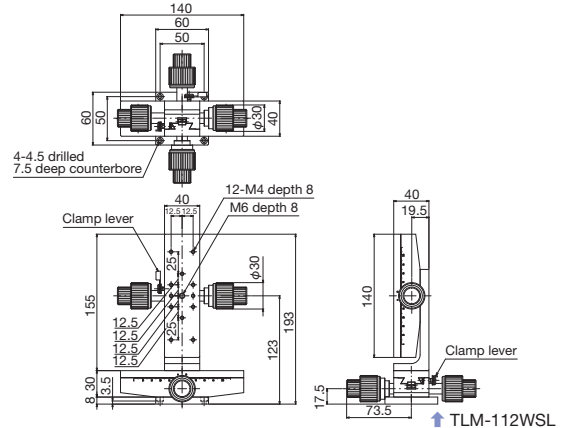
↑ TLM-112



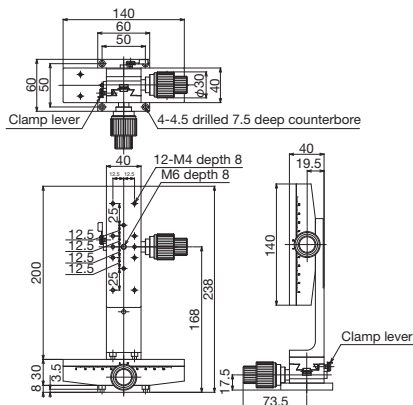
↑ TLM-112W



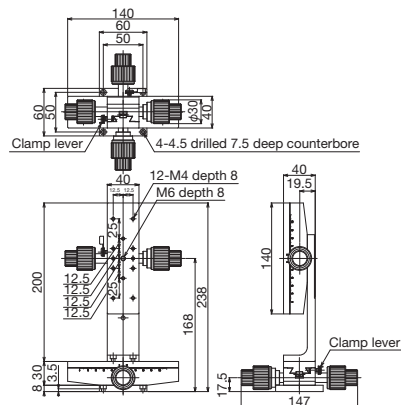
↑ TLM-112SL



↑ TLM-112WSL



↑ TLM-112S



↑ TLM-112WS

Motorized Stages
Automated Products for Microscopes
Manual Stages
Fix Stages
Thin VB Stages
Rack & Pinion Stages
High-Grade Stages
Spin Stages, Cross Roller Stages
Z-Like Stages, Z Stages
Rotary Stages
Tilt Stages
Tilt/Rotary Stages
XZ, YZ Stages
XYZ Stages