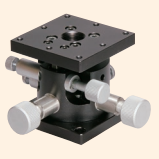
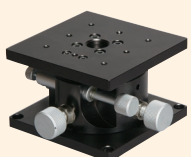
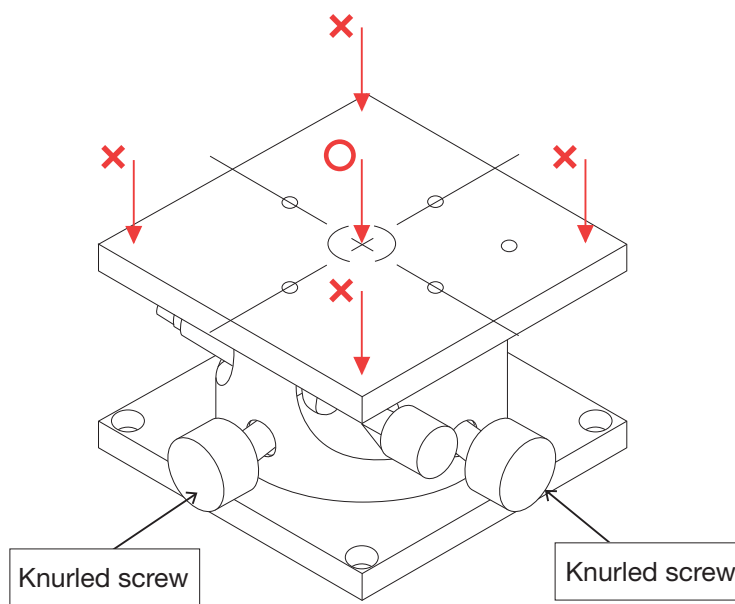




- Motorized Stages
- Automated Products for Microscopes
- Manual Stages**
- Fx Stages
- Thin VB Stages
- Rack & Pinion Stages
- High-Grade Stages
- Spin Stages, Cross Roller Stages
- Z-Lin Stages
- Rotary Stages
- Tilt Stages
- Tilt/Rotary Stages**
- XZ, YZ Stages
- XZ Stages

Page	Example product photo	Type	Model number	Stage surface	Remarks
360		Tilt/Rotary Stage	TTD-605	60 mm x 60 mm	Tilt double direction, rotation single direction
			TTD-905	90 mm x 90 mm	Tilt double direction, rotation single direction

Tilt/Rotary Stages - Precautions for Use



The center of gravity for samples loaded on the tilt/rotary stage should be positioned toward the stage surface center as per the figure above.



Tilt/Rotary Stages ◀ Manual Stages ▶

Tilt/Rotary Stages 60 x 60, 90 x 90



↑ TTD-605



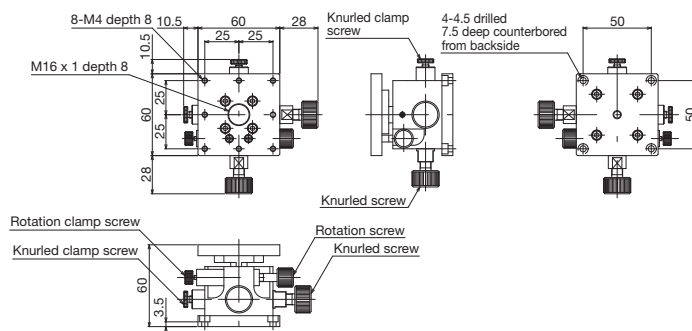
↑ TTD-905

Features

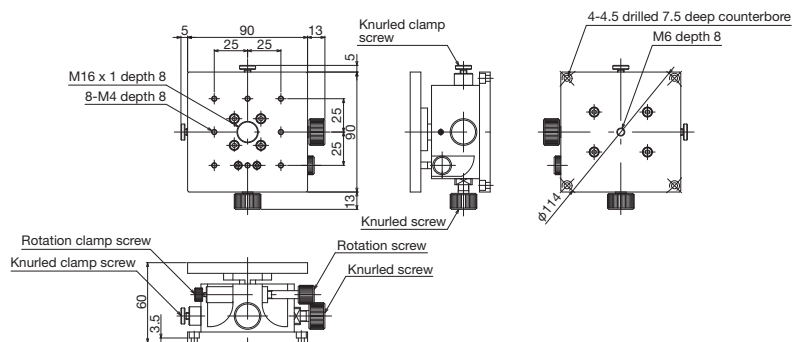
- 3-in-1 stage capable of tilting in 2 directions, plus rotating in 1 direction.
- Each tilt and rotation direction has its own clamp to enable fixing in the desired position.
- Versatile use for positioning of cameras, sensors, etc.

Model number	TTD-605	TTD-905
Model name	Tilt/Rotary Stage 60 x 60	Tilt/Rotary Stage 90 x 90
Travel direction	Tilt double direction, rotation single direction	
Stage surface	60 mm x 60 mm	90 mm x 90 mm
Travel amount	Tilt $\pm 3^\circ$, rotation $\pm 3^\circ$	
Travel amount/1 knob rotation	Tilt 1.68° , rotation approx. 1.64°	Tilt 1.68° , rotation approx. 1.15°
Load capacity	19.6 N (2 kgf)	29.4 N (3 kgf)
Mass	0.5 kg	0.8 kg
Main materials/surface treatment	Aluminum alloy/black satin anodized finish	

Product Appearance



↑ TTD-605



↑ TTD-905

- Motorized Stages
- Automated Products for Microscopes
- Manual Stages**
- Fx Stages
- Thin VB Stages
- Rack & Pinion Stages
- High-Grade Stages
- Spin Stages, Cross Roller Stages
- Z-Like Stages
- Rotary Stages
- Tilt Stages
- Tilt/Rotary Stages
- XZ, YZ Stages
- XYZ Stages