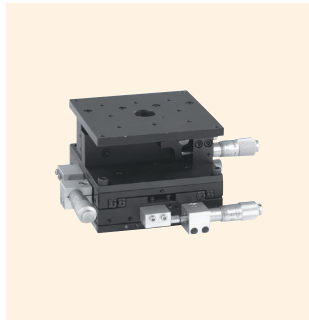
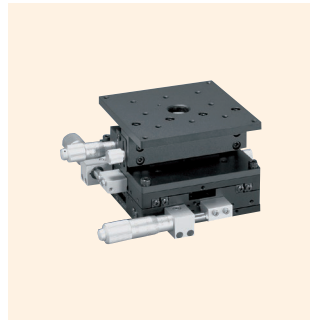


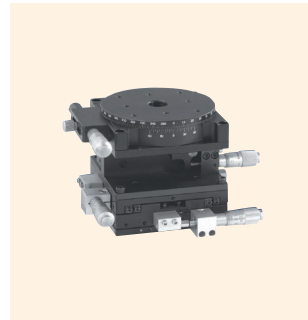
## XYZ Slim Stages, XYZ Rotary Slim Stages 90 x 90



↑ TLT-907-S1



↑ TLT-907-R1



↑ TTR-907-S1



↑ TTR-907-R1

### Features

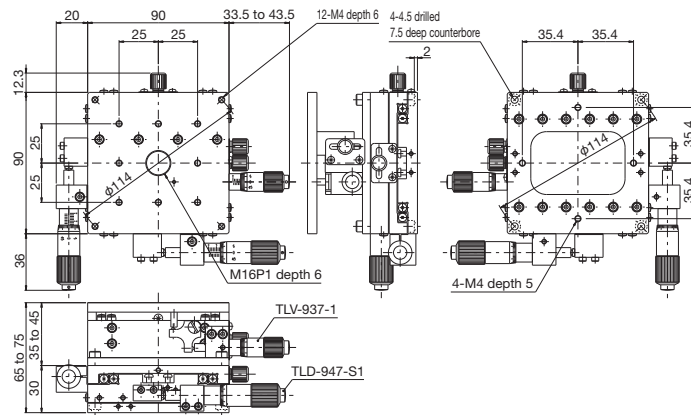
- An XYZ stage that uses V-CR method travel guides. (XY stages and Z stages are V-B type.)
- Side or reverse side options for the micrometer mounting position are available.
- Versatile use for precision positioning of cameras, sensors, workpieces, and more.

Model number	TLT-907-S1	TLT-907-R1	TTR-907-S1	TTR-907-R1
Model name	XYZ Slim Stage 90 x 90		XYZ Rotary Slim Stage $\phi$ 90	
Travel direction	XYZ-axis triple direction		XYZ rotary quadruple direction	
Stage surface	90 mm x 90 mm		$\phi$ 90 mm	
Clamp method	Plate clamp		XYZ axis plate clamp, rotating axis compound clamp	
Operating part mounting position	XY-axis side	XY-axis reverse side	XY-axis side	
Feed method	XY axis MHM1-15, Z axis CMH-13FM (each axis has a standard micrometer)		XY axis MHM1-15, Z axis CMH-13FM, Rotary CMH-13RM (each axis has a standard micrometer)	
Travel amount	XY axes $\pm 7.5$ mm, Z axis 0 to 10 mm		XY axes $\pm 7.5$ mm, Z axis 0 to 10 mm, rotating axis moves 360° with coarse movement and $\pm 5^\circ$ with fine movement	
Travel amount/1 knob rotation	Each axis is 0.5 mm		XYZ axes are 0.5 mm, rotating axis moves approx. 0.5°	
Scale	Micrometer 0.01 mm		XYZ axis micrometer 0.01 mm, rotating axis vernier reading 5'/micrometer 0.01 mm (1 scale marking is approx. 0.01°)	
Sensitivity	0.003 mm		XYZ axes 0.003 mm	
Travel guide	XY axis: V-groove and cross rollers, Z axis: V-groove rail and steel balls		XY axis: V-groove and cross rollers, Z axis: V-groove rail and steel balls, rotating axis: sliding	
Travel accuracy	Straightness: XY axes 0.003 mm, Z axis 0.008 mm		Straightness: XY axes 0.003 mm, Straightness: Z axis 0.008 mm, Circularity: rotating axis 0.04 mm, Surface runout: rotating axis 0.02 mm	
XY orthogonality	0.02 mm		0.02 mm	
Load capacity	49 N (5 kgf)		29.4 N (3 kgf)	
Mass	1.25 kg		1.75 kg	
Main materials/surface treatment	Aluminum alloy/black satin anodized finish			

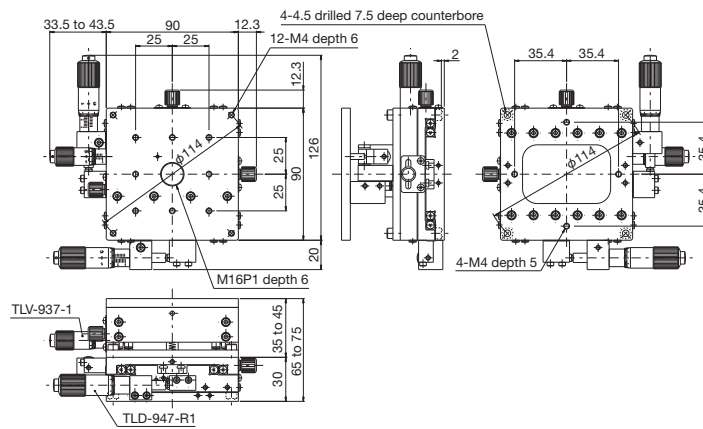


Slim Stages, Cross Roller Stages ◀ Manual Stages ◀

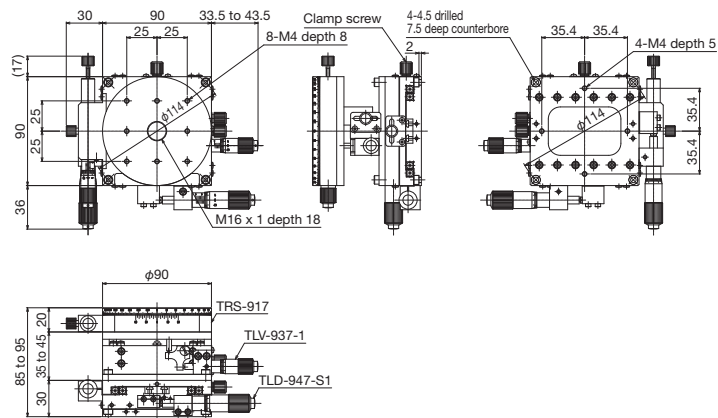
Product Appearance



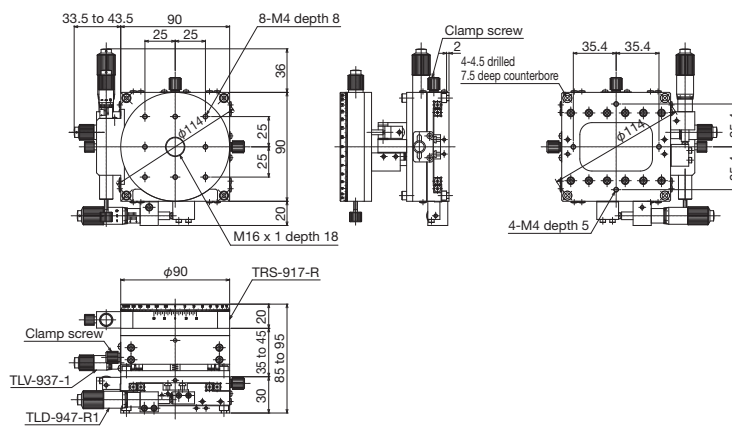
TLT-907-S1



TLT-907-R1



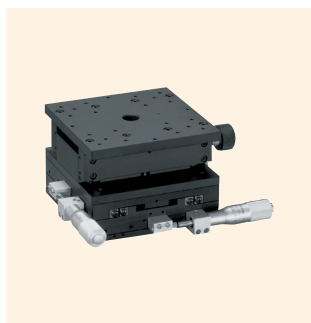
TTR-907-S1



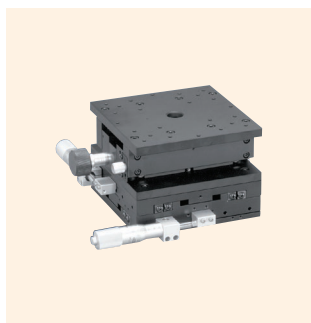
TTR-907-R1

Motorized Stages	Automated Products for Microscopes	Manual Stages
Fix Stages	Thin V8 Stages	Rack & Pinion Stages
High-Grade Stages	Slim Stages, Cross Roller Stages	Z-Like Stages, Z Stages
Rodway Stages	TTR Stages	TTR/Rotary Stages
XZ, YZ Stages	XZ Stages	

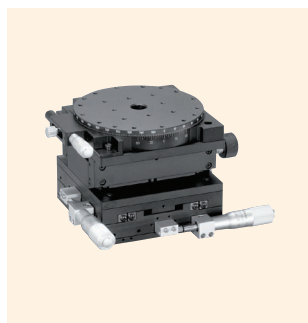
## XYZ Slim Stages, XYZ Rotary Slim Stages 125 x 125



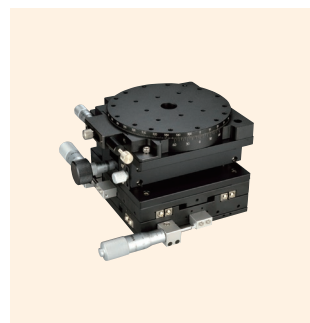
↑ TLT-140-S1



↑ TLT-140-R1



↑ TTR-101-S1



↑ TTR-101-R1

### Features

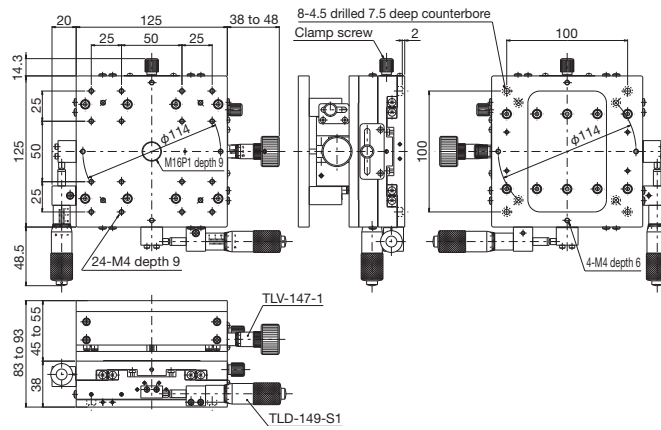
- XYZ stages combine XY stages with a Z stage, while XYZ rotary stages combine XY slim stages, Z slim stages, and rotary slim stages.
- Types with reverse micrometer orientation are available to enable operation from the left and right.
- Versatile use for precision positioning of cameras, sensors, workpieces, and more.

Model number	TLT-140-S1	TLT-140-R1	TTR-101-S1	TTR-101-R1
Model name	XYZ Slim Stage 125 x 125		XYZ Rotary Slim Stage $\phi$ 125	
Travel direction	XYZ-axis triple direction		XYZ rotary quadruple direction	
Stage surface	125 mm x 125 mm		$\phi$ 125 mm	
Clamp method	Plate clamp		XYZ axis plate clamp, rotating axis complex clamp	
Operating part mounting position	XY-axis side	XY-axis reverse side	XY-axis side	
Feed method	XY axis MHN1-25T, Z axis CMH-13FM, (each is a standard axis micrometer)		XY axis MHN1-25T, Z axis CMH-13FM, Rotary CMH-13RM, (each axis has a standard micrometer)	
Travel amount	XY axes $\pm 12.5$ mm, Z axis 0 to 10 mm		XY axes $\pm 12.5$ mm, Z axis 0 to 10 mm, rotating axis moves 360° with coarse movement and $\pm 5^\circ$ with fine movement	
Travel amount/1 knob rotation	Each axis is 0.5 mm		XYZ axes 0.5 mm, rotating axis approx. 0.39°	
Scale	Micrometer 0.01 mm		XYZ axis micrometer 0.01 mm, rotating axis vernier reading 5'/micrometer 0.01 mm (1 scale marking is approx. 0.008°)	
Sensitivity	0.003 mm		XYZ axes 0.003 mm	
Travel guide	V-groove and cross rollers		XYZ axis: V-groove and cross rollers, rotating axis: sliding	
Travel accuracy	Straightness: XY axes 0.003 mm, Z axis 0.005 mm		Straightness: XY axes 0.003 mm, Z axis 0.005 mm, Circularity: rotating axis 0.05 mm, Surface runout: rotating axis 0.03	
XY orthogonality	0.02 mm			
Load capacity	49 N (5 kgf)		29.4 N (3 kgf)	
Mass	5.7 kg		6.6 kg	
Main materials/surface treatment	XY axis: Steel/hardened black chrome, Z axis: Aluminum alloy/black satin anodized finish		XY axis: Steel/hardened black chrome, Z rotating axis: Aluminum alloy/black satin anodized finish	

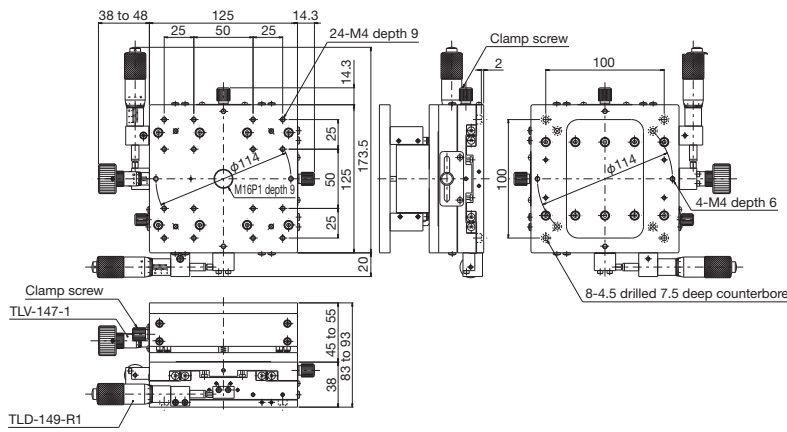


Slim Stages, Cross Roller Stages ◀ Manual Stages ◀

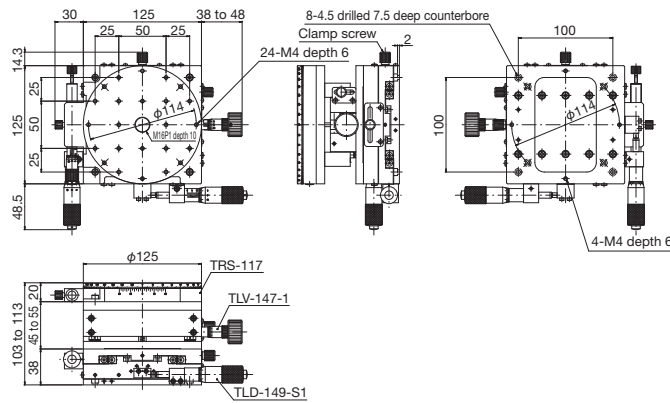
Product Appearance



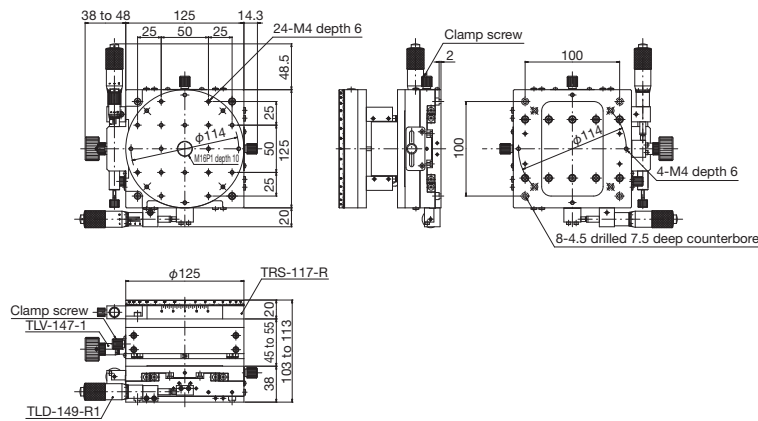
TLT-140-S1



TLT-140-R1



TTR-101-S1



TTR-101-R1

Motorized Stages	Automated Products for Microscopes
Thin Stages	Manual Stages
Thin VB Stages	
Rack & Pinion Stages	
High-Grade Stages	
Slim Stages, Cross Roller Stages	
Z-Like Stages, Z Stages	
Rotary Stages	
TTR Stages	
TTR/Rotary Stages	
XZ, YZ Stages	
XYZ Stages	