

Rotary Stage



↑ TRS-313



↑ TRS-314T



↑ TRS-317



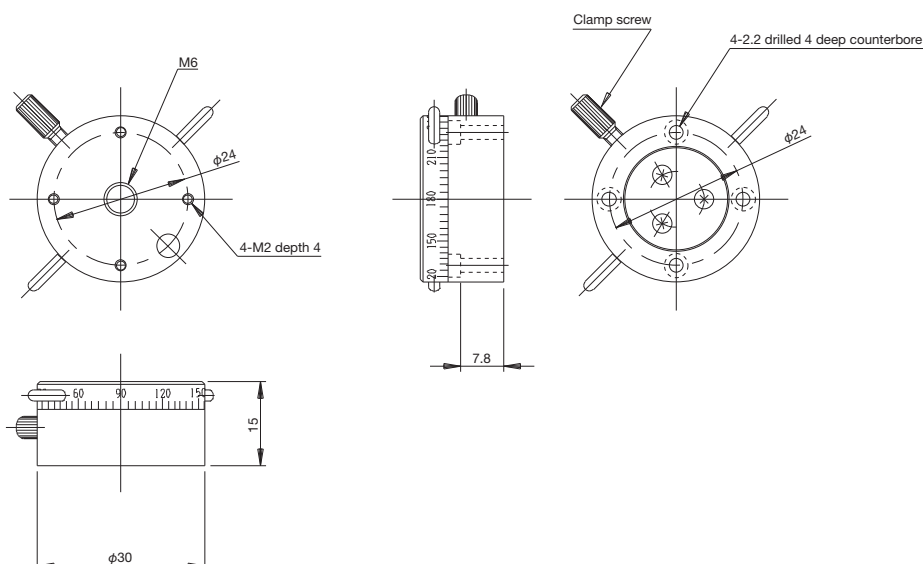
↑ TRS-612

Features

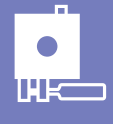
- Fine feed movement rotary stages.
- The table surface of each stage can be grabbed and rotated 360 degrees with coarse movement.
- Units capable of fine feed movement can be adjusted after the coarse feed clamp is set.
- Versatile use for positioning of cameras, sensors, etc.

Model number	TRS-313	TRS-314T	TRS-317	TRS-317-R	TRS-612
Model name	Rotary Stage ϕ 30	Transmission Precision Fine Movement Rotary Stage ϕ 30	Fine Movement Rotary Slim Stage ϕ 30	Fine Movement Rotary Slim Stage ϕ 30 (Reverse Micrometer)	Rotary Stage ϕ 62
Travel direction	Rotation direction				
Stage surface	ϕ 30 mm	ϕ 28 mm	ϕ 30 mm		ϕ 62 mm
Clamp method	Knob screw method		Compound clamp		-
Operating part mounting position	-	-	Standard position	Reverse micrometer position	-
Fine feed method	-	Feed screw P=0.5 mm	CEH-6.5R (standard micrometer)		-
Travel amount	Coarse movement 360°	Coarse movement 360°, fine movement $\pm 1.5^\circ$	Coarse movement 360°, fine movement $\pm 5^\circ$		Coarse movement 360°
Travel amount/1 knob rotation	-	Approx. 2.38°	Approx. 1.36°		-
Scale	Scale reading 5°	-	Scale reading 2°/micrometer 0.01 mm (1 scale marking is approx. 0.027°)		Scale reading 1°
Travel guide	Sliding				
Parallelism	-	-	0.03 mm		-
Circularity	-	-	0.02 mm		-
Surface runout	-	-	0.02 mm		-
Load capacity	19.6 N (2 kgf)		9.8 N (1 kgf)		49 N (5 kgf)
Mass	0.04 kg	0.03 kg	0.1 kg		0.2 kg
Main materials/surface treatment	Aluminum alloy/black satin anodized finish				

Product Appearance

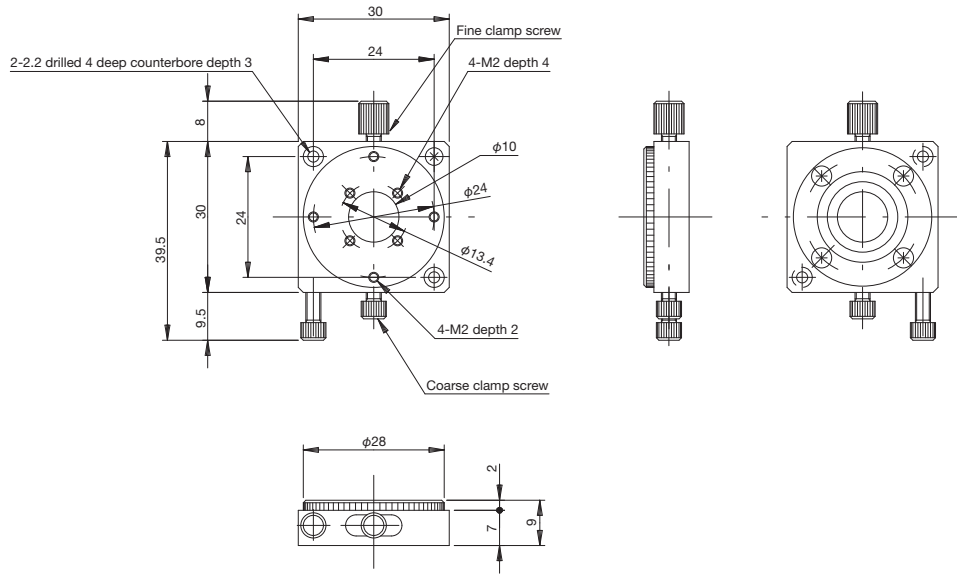


↑ TRS-313

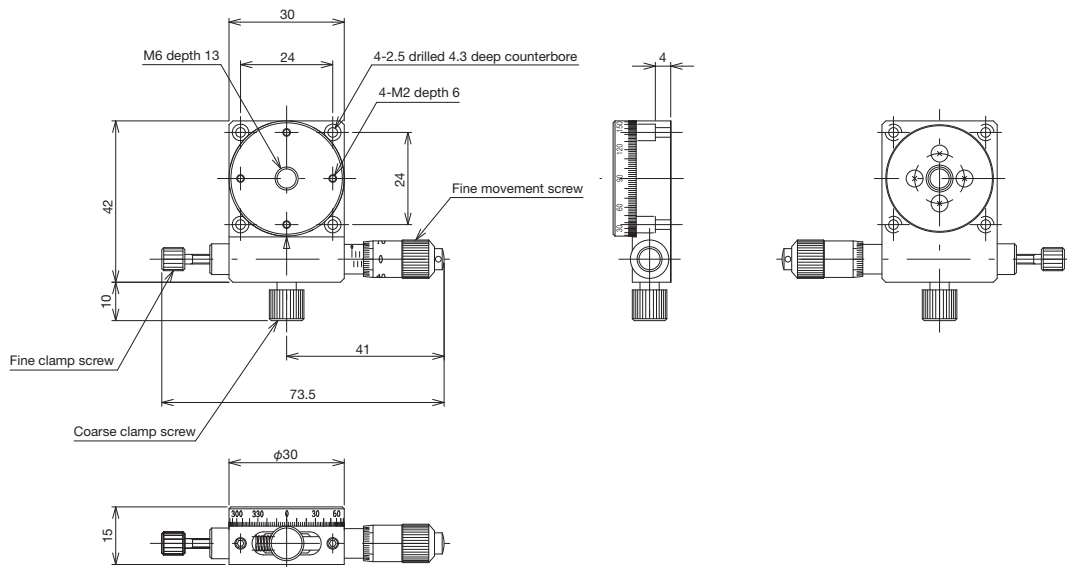


Rotary Stages ◀ Manual Stages ◀

Product Appearance

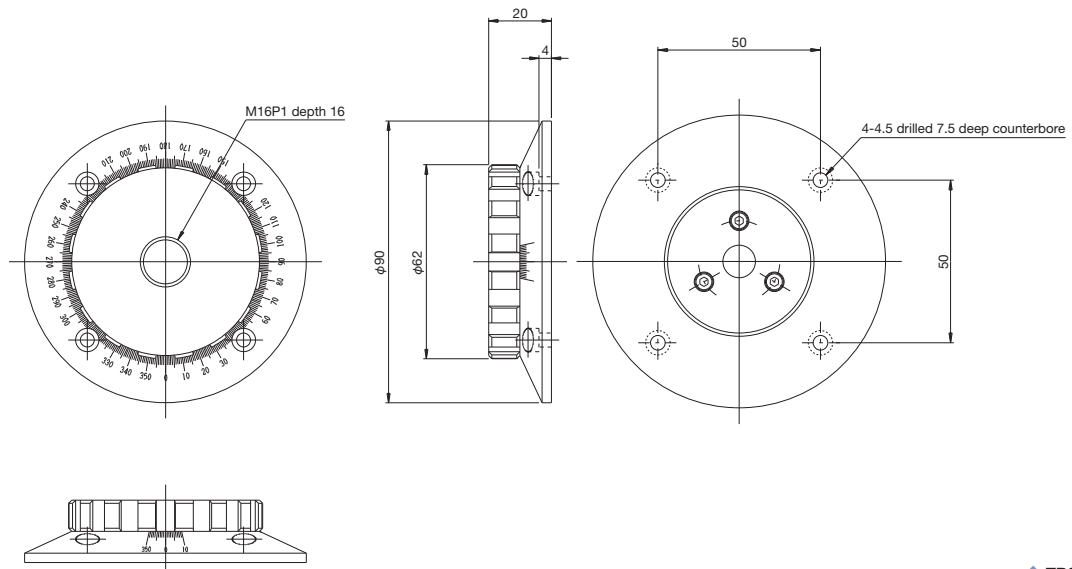


↑ TRS-314T



*TRS-317-R has the same dimensions as TRS-317 but with reversed micrometer position.

↑ TRS-317



↑ TRS-612

Motorized Stages	Automated Products for Microscopes	Manual Stages	Fx Stages	Thin Vθ Stages	Rack & Pinion Stages	High-Grade Stages	Spin Stages, Cross Roller Stages	Z-Like Stages, Z Stages	Rotary Stages	Tilt Stages	Tilt/Rotary Stages	XZ, YZ Stages	XZ Stages
------------------	------------------------------------	---------------	-----------	----------------	----------------------	-------------------	----------------------------------	-------------------------	---------------	-------------	--------------------	---------------	-----------

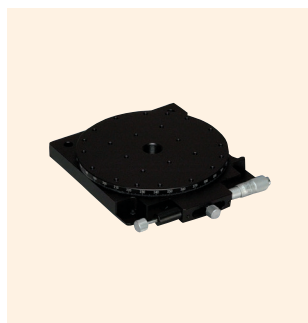
Rotary Stage



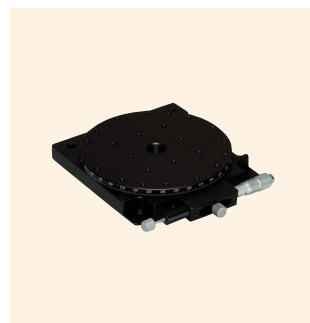
↑ TRS-917



↑ TRS-112



↑ TRS-117



↑ TRS-147-1

Features

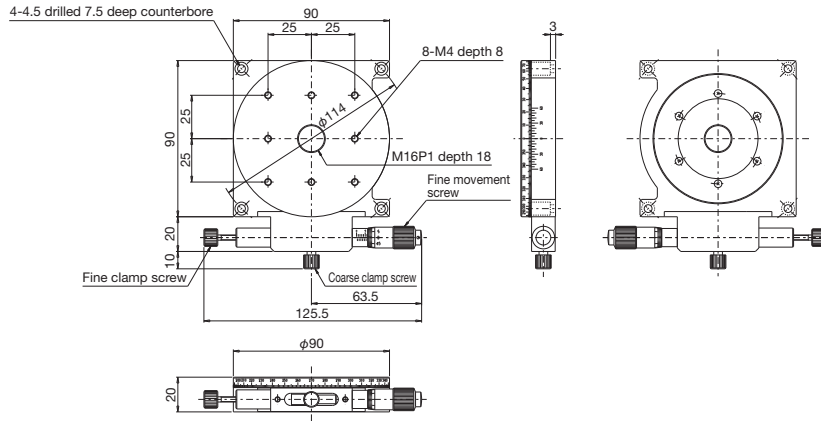
- Rotary stages with differing fine feed movement.
- The table surface of each stage can be grabbed and rotated with coarse movement 360 degrees.
- Units capable of fine feed movement have a table surface that can be grabbed and rotated 360 degrees with coarse movement. The clamp screw can then be secured after coarse movement, and the table can be moved with the micrometer head for fine movement.
- Units capable of fine feed movement can be adjusted after the coarse feed clamp is set.
- Versatile use for positioning of cameras, sensors, etc.

Model number	TRS-917	TRS-112	TRS-117	TRS-147-1
Model number (Reverse micrometer)	TRS-917-R	-	TRS-117-R	TRS-147-1R
Model name	Fine Movement Rotary Slim Stage ϕ 90	Rotary Stage ϕ 100	Fine Movement Rotary Slim Stage ϕ 125	
Travel direction	Rotation direction			
Stage surface	ϕ 90 mm	ϕ 100 mm	ϕ 125 mm	
Clamp method	Complex clamp	-	Complex clamp	
Operating part mounting position	Standard position *-R is the reversed micrometer position	-	Standard position *-R is the reversed micrometer position	
Fine feed method	CMH-13RM (standard micrometer)	-	CMH-13RM (standard micrometer)	
Travel amount	Coarse movement 360°, fine movement \pm 5°	Coarse movement 360°	Coarse movement 360°, fine movement \pm 5°	
Travel amount/1 knob rotation	Approx. 0.5°	-	Approx. 0.39°	
Scale	Vernier reading 5'/ micrometer 0.01 mm (1 scale marking is approx. 0.01°)	Scale reading 1°	Vernier reading 5'/ micrometer 0.01 mm (1 scale marking is approx. 0.008°)	
Travel guide	Sliding			V-groove and cross rollers
Parallelism	0.02 mm	-	0.05 mm	0.06 mm
Circularity	0.04 mm	-	0.05 mm	0.03 mm
Surface runout	0.02 mm	-	0.03 mm	0.04 mm
Load capacity	29.4 N (3 kgf)	98 N (10 kgf)	29.4 N (3 kgf)	147 N (15 kgf)
Mass	0.5 kg		0.9 kg	
Main materials/surface treatment	Aluminum alloy/black satin anodized finish			



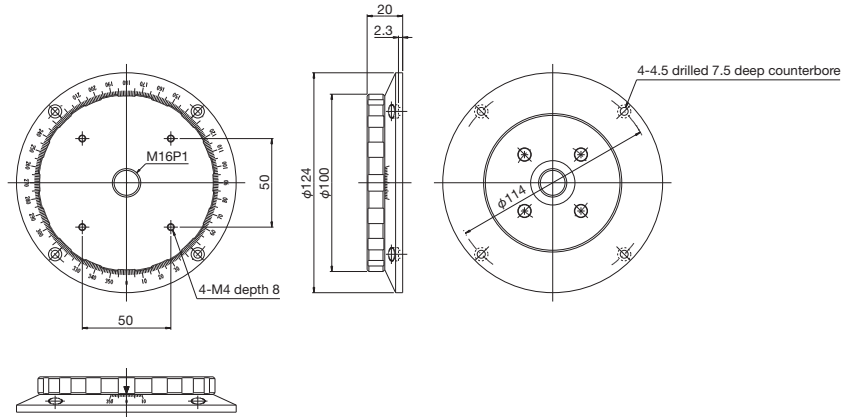
Rotary Stages ◀ Manual Stages ◀

Product Appearance

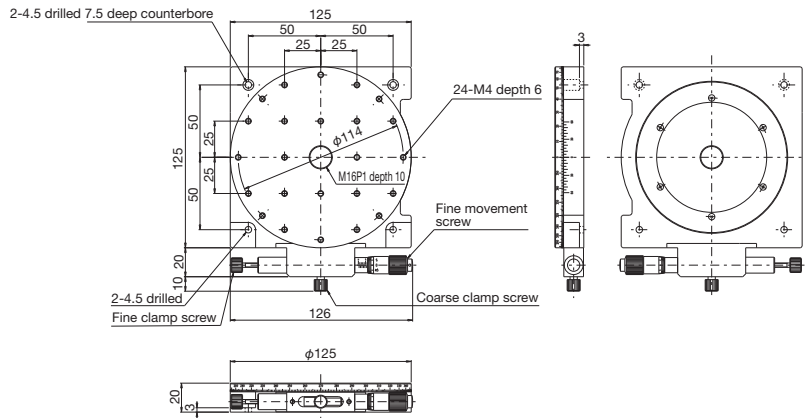


*TRS-917-R has the same dimensions as TRS-917 but with reversed micrometer position.

↑ TRS-917

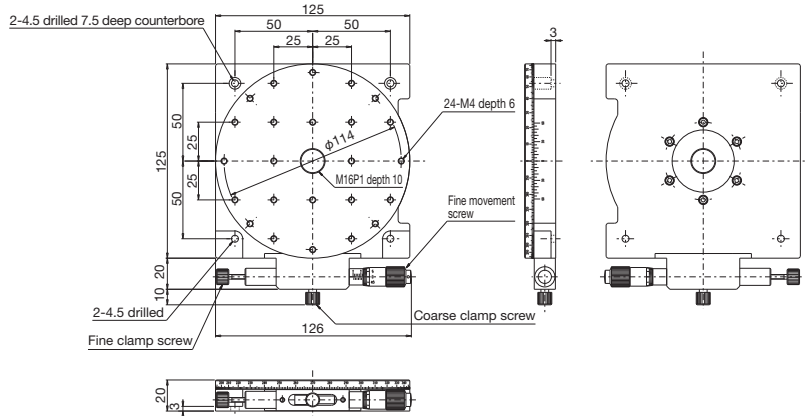


↑ TRS-112



*TRS-117-R has the same dimensions as TRS-117 but with reversed micrometer position.

↑ TRS-117



*TRS-147-1R has the same dimensions as TRS-147-1 but with reversed micrometer position.

↑ TRS-147-1

Motorized Stages	Automated Products for Microscopes	Manual Stages	Fx Stages	Thru V8 Stages	Rack & Pinion Stages	High-Grade Stages	Spin Stages, Cross Roller Stages	Z-Like Stages	Rotary Stages	TR Stages	TR/Rotary Stages	XZ, YZ Stages	XYZ Stages
------------------	------------------------------------	---------------	-----------	----------------	----------------------	-------------------	----------------------------------	---------------	---------------	-----------	------------------	---------------	------------

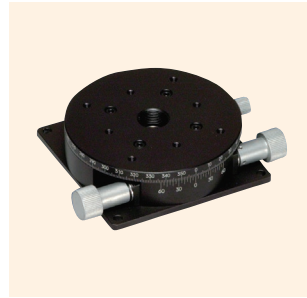
Gear Type Rotary Stages



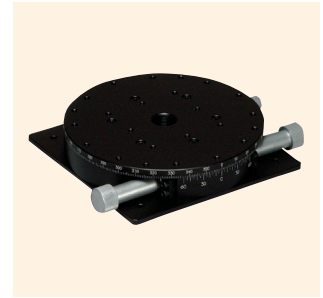
↑ TRS-327



↑ TRS-627



↑ TRS-927



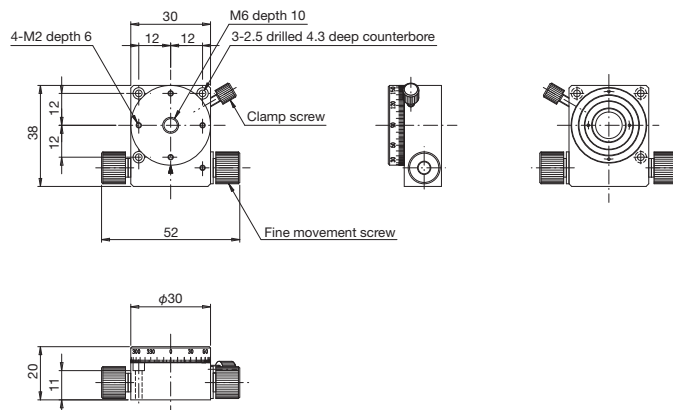
↑ TRS-127

Features

- Rotary stage using a worm gear for the feed method.
- 360-degree fine feed movement is possible.
- A clamp enables fixing in a desired position.
- There is a transmission hole in the stage surface center. (Excluding TRS-327 and TRS-627)
- Versatile use for precision positioning of cameras, sensors, workpieces, and more.

Model number	TRS-327	TRS-627	TRS-927	TRS-127	TRS-147-2
Model name	Gear Type Rotary Slim Stage ϕ 30	Gear Type Rotary Slim Stage ϕ 60	Gear Type Rotary Slim Stage ϕ 90	Gear Type Rotary Slim Stage ϕ 125	Gear Type Rotary Slim Stage ϕ 125 (Cross Roller Bearing)
Travel direction	Rotation direction				
Stage surface	ϕ 30 mm	ϕ 60 mm	ϕ 90 mm	ϕ 125 mm	
Clamp method	Knob screw method				
Operating part mounting position	Double knob				
Fine feed method	Worm gear				
Travel amount	Fine movement 360°				
Travel amount/1 knob rotation	Approx. 7.5°	Approx. 6.5°	Approx. 3.5°	Approx. 2.5°	
Scale	Scale reading 2°	Vernier reading: 10'	Vernier reading: 5'	Vernier reading: 5'	
Travel guide	Sliding				V-groove and cross rollers
Parallelism	-	0.03 mm	0.05 mm		
Circularity	0.08 mm	0.04 mm	0.05 mm		0.03 mm
Surface runout	-	0.02 mm	0.03 mm		0.04 mm
Load capacity	9.8 N (1 kgf)	49 N (5 kgf)		147 N (15 kgf)	
Mass	0.1 kg	0.3 kg	0.6 kg	1 kg	
Main materials/surface treatment	Aluminum alloy/black satin anodized finish				

Product Appearance

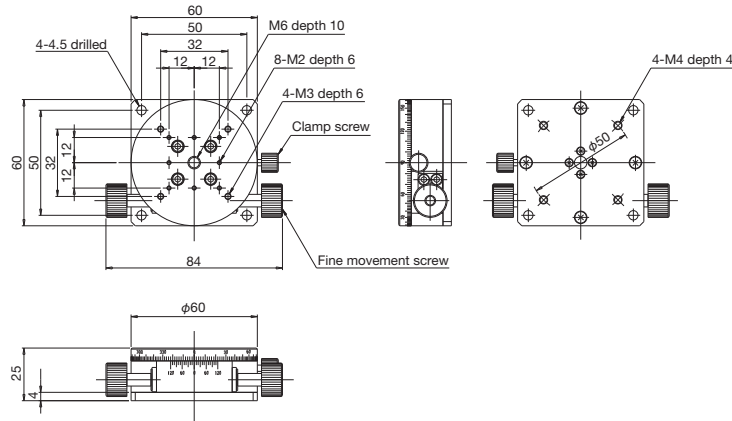


↑ TRS-327

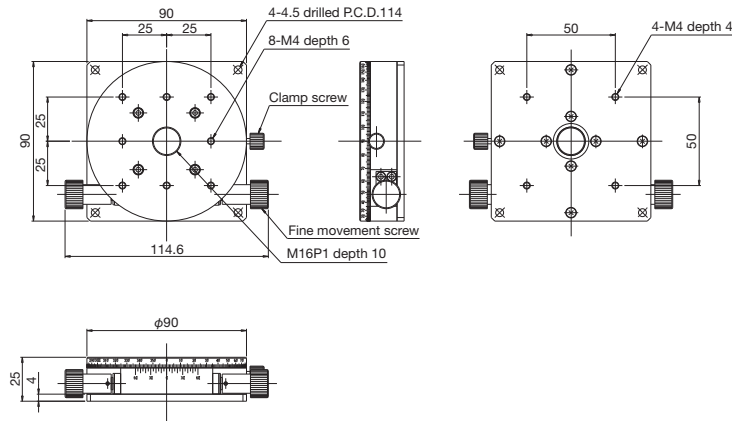


Rotary Stages ◀ Manual Stages ◀

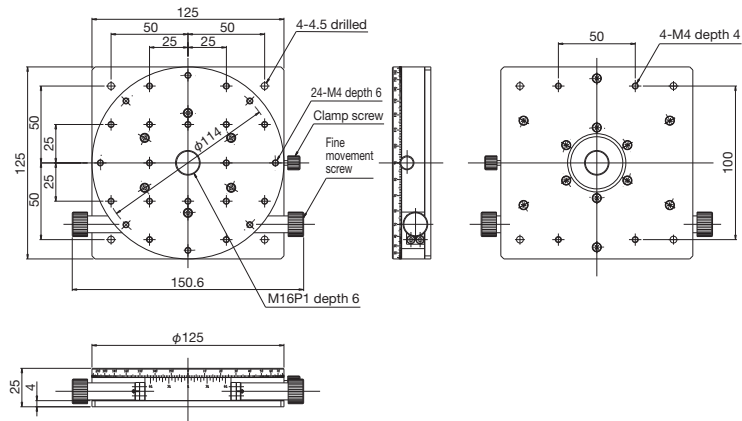
Product Appearance



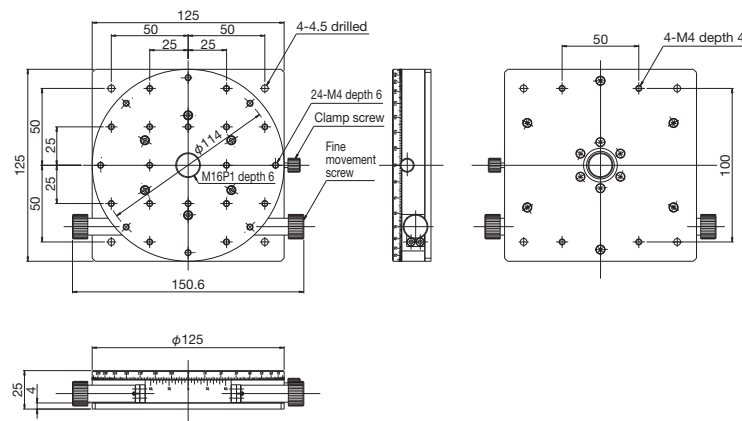
↑ TRS-627



↑ TRS-927



↑ TRS-127



↑ TRS-147-2

Motorized Stages	Automated Products for Microscopes	Manual Stages	Fx Stages	Thru VB Stages	Rack & Pinion Stages	High-Grade Stages	Spin Stages, Cross Roller Stages	Z-Like Stages, Z Stages	Rotary Stages	Tilt Stages	Tilt/Rotary Stages	XZ, YZ Stages	XYZ Stages
------------------	------------------------------------	---------------	-----------	----------------	----------------------	-------------------	----------------------------------	-------------------------	---------------	-------------	--------------------	---------------	------------

Transmission Rotary Stages



↑ TRS-911T



↑ TRS-111T



↑ TRS-211T



↑ TRS-211T-R

Features

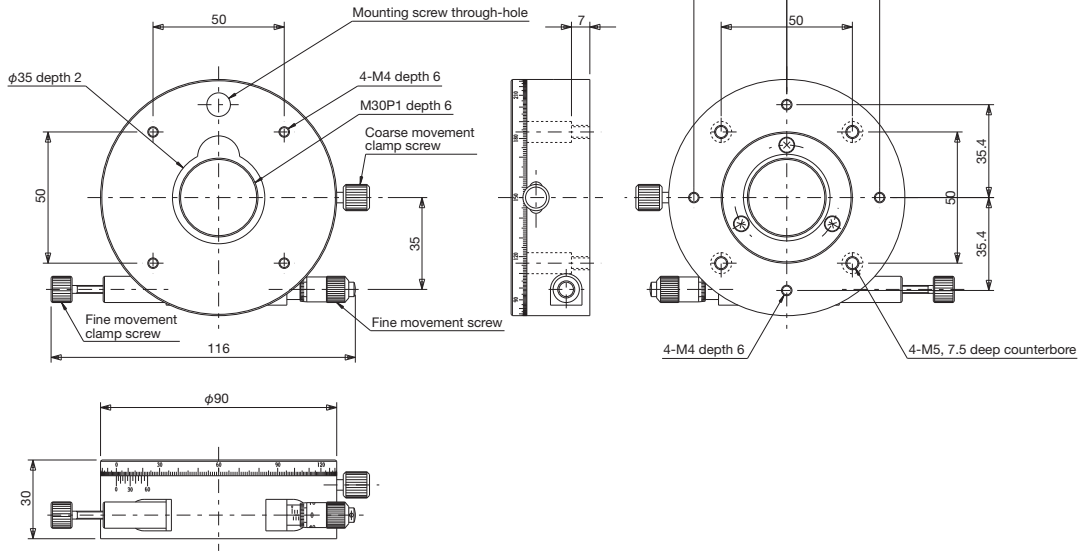
- A transmission type rotary stage using a sliding mechanism for the travel guide.
- Standard (right hand) and reverse (left hand) micrometer head mounting position options are available.
- The table surface can be grabbed and rotated 360 degrees with coarse movement. The clamp screw can then be secured after coarse movement, and the table can be moved with the micrometer head for fine movement.
- The table can also be secured in the desired position by securing both the fine and coarse movement clamps.
- Versatile use for precision positioning of cameras, sensors, workpieces, and more.

Model number	TRS-911T	TRS-111T	TRS-211T
Model number (Reverse micrometer)	TRS-911T-R	TRS-111T-R	TRS-211T-R
Model name	Transmission Fine Movement Rotary Stage ϕ 90	Transmission Fine Movement Rotary Stage ϕ 125	Transmission Fine Movement Rotary Stage ϕ 150
Travel direction	Rotation direction		
Stage surface	ϕ 90 mm	ϕ 125 mm	ϕ 150 mm
Clamp method	Compound clamp		
Operating part mounting position	Standard position *-R is the reversed micrometer position		
Fine feed method	CMH-6.5FA (standard micrometer)	CMH-13FM (standard micrometer)	MHM1-15 (standard micrometer)
Travel amount	Coarse movement 360°, fine movement \pm 5°		
Travel amount/1 knob rotation	Approx. 0.82°	Approx. 0.55°	Approx. 0.46°
Scale	Vernier reading 5'/micrometer 0.01 mm (1 scale marking is approx. 0.016°)	Vernier reading 5'/micrometer 0.01 mm (1 scale marking is approx. 0.011°)	Vernier reading 5'/micrometer 0.01 mm (1 scale marking is approx. 0.009°)
Travel guide	Sliding		
Parallelism	0.05 mm		
Circularity	0.05 mm		
Surface runout	0.02 mm	0.03 mm	
Load capacity	29.4 N (3 kgf)		49 N (5 kgf)
Mass	0.5 kg	1 kg	1.4 kg
Main materials/surface treatment	Aluminum alloy/black satin anodized finish		



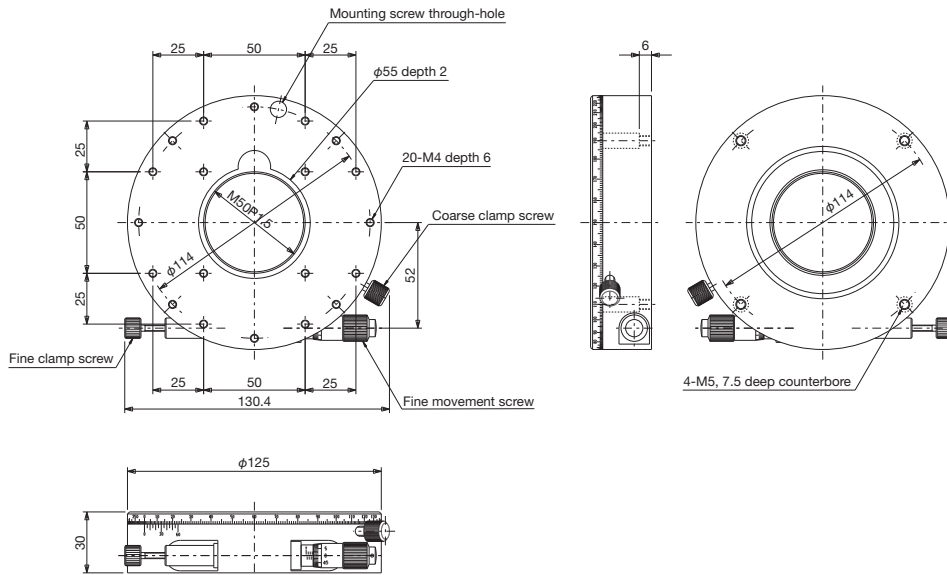
Rotary Stages ◀ Manual Stages ◀

Product Appearance



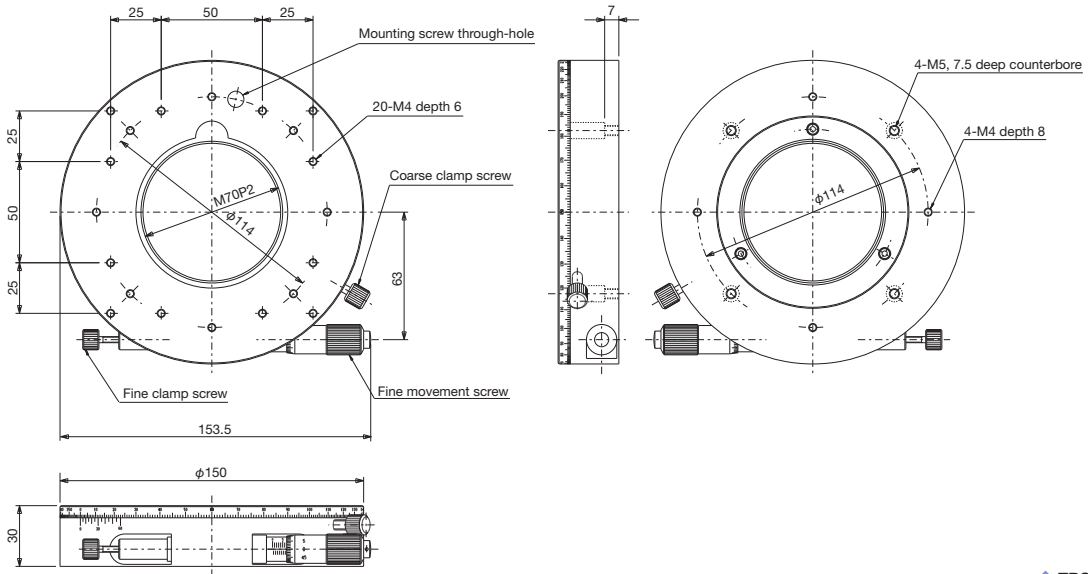
*TRS-911T-R has the same dimensions as TRS-911T but with reversed micrometer position.

↑ TRS-911T



*TRS-111T-R has the same dimensions as TRS-111T but with reversed micrometer position.

↑ TRS-111T



*TRS-211T-R has the same dimensions as TRS-211T but with reversed micrometer position.

↑ TRS-211T

Motorized Stages	Automated Products for Microscopes	Manual Stages	Fix Stages	Thin VB Stages	Rack & Pinion Stages	High-Grade Stages	Spin Stages, Cross Roller Stages	Z-Like Stages, Z Stages	Rotary Stages	Tilt Stages	Tilt/Rotary Stages	XZ, YZ Stages	XYZ Stages
------------------	------------------------------------	---------------	------------	----------------	----------------------	-------------------	----------------------------------	-------------------------	---------------	-------------	--------------------	---------------	------------