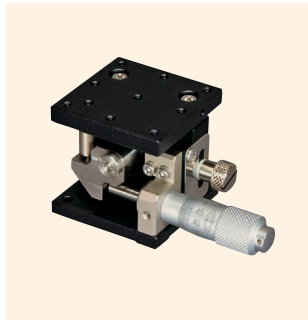


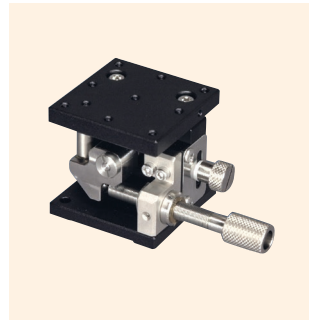
High-Grade Z Lift Stages 30 x 30, 40 x 40, 50 x 50



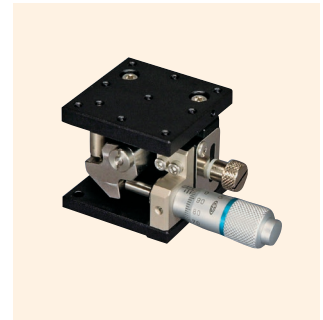
↑ TLV-3047-1



↑ TLV-4042-1



↑ TLV-4042-6



↑ TLV-4042-8

Features

(TLV-3047-1)

- A lift type small and light weight Z stage.
- Uses V-groove and cross roller type (V-CR method) travel guides.
- Versatile use for precision positioning of sensors, workpieces, and more.

(TLV-40~, 50~)

- Combines aluminum alloy with the HG-VCR method to be a Z axis lift type stage that achieves both high rigidity and light weight.
- Feed screws, standard micrometers, and fine pitch micrometers are available for the feed method.
- Versatile use for precision positioning of cameras, sensors, workpieces, and more.

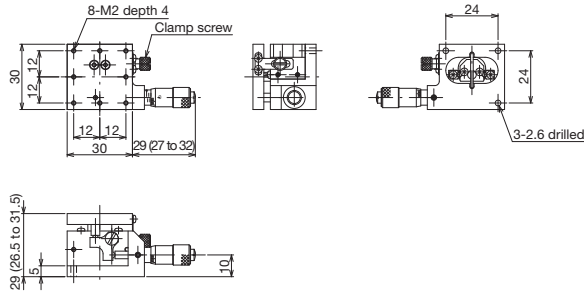
Model number	TLV-3047-1
Model name	High-Grade Aluminum Z Lift Stage 30 x 30
Travel direction	Z-axis single direction
Stage surface	30 mm x 30 mm
Clamp method	Plate clamp
Feed method	CMH-6.5F (Standard micrometer)
Travel amount	0 to 5 mm
Travel amount/1 knob rotation	0.5 mm
Scale	Micrometer 0.01 mm
Sensitivity	0.003 mm
Travel guide	V-groove and cross rollers
Travel accuracy	Straightness (horizontal/vertical) 0.003 mm
Permissible moment load	Yaw 70 N-cm, pitch 50 N-cm, roll 100 N-cm
Moment rigidity	Yaw rigidity 45 s/N-cm, pitch rigidity 5.5 s/N-cm, roll rigidity 2.5 s/N-cm
Parallelism	0.1 mm
Perpendicularity of motion	0.01 mm
Load capacity	14.7 N (1.5 kgf)
Mass	0.07 kg
Main materials/surface treatment	Stainless steel, aluminum alloy (table, base)/black oxide chrome, black satin anodized finish

Model number	TLV-4042-1	TLV-4042-6	TLV-4042-8	TLV-5042-1	TLV-5042-6	TLV-5042-8
Model name	High-Grade Z Lift Stage 40 x 40			High-Grade Z Lift Stage 50 x 50		
Travel direction	Z-axis single direction					
Stage surface	40 mm x 40 mm			50 mm x 50 mm		
Clamp method	Plate clamp					
Feed method	CMH-13RM (Standard micrometer)	Feed screw P=0.5 mm	MHS4-6.5FP (Fine pitch micro)	CMH-13RM (Standard micrometer)	Feed screw P=0.5 mm	MHS4-6.5FP (Fine pitch micro)
Travel amount	0 to 10 mm		0 to 6 mm	0 to 10 mm		0 to 6 mm
Travel amount/1 knob rotation	0.5 mm		0.1 mm	0.5 mm		0.1 mm
Scale	Micrometer 0.01 mm	-	Micrometer 0.002 mm	Micrometer 0.01 mm	-	Micrometer 0.002 mm
Sensitivity	0.003 mm	0.01 mm	0.001 mm	0.003 mm	0.01 mm	0.001 mm
Travel guide	HG-VCR (V-groove and cross rollers)					
Travel accuracy	Straightness (horizontal/vertical) 0.003 mm					
Permissible moment load	Yaw 150 N-cm, pitch 100 N-cm, roll 160 N-cm					
Moment rigidity	Yaw rigidity 1.5 s/N-cm, pitch rigidity 3.0 s/N-cm, roll rigidity 0.7 s/N-cm			Yaw rigidity 1.5 s/N-cm, pitch rigidity 3.0 s/N-cm, roll rigidity 0.6 s/N-cm		
Parallelism	0.1 mm					
Perpendicularity of motion	0.01 mm					
Load capacity	29.3 N (3 kgf)					
Mass	0.2 kg			0.25 kg		
Main materials/surface treatment	Stainless steel, aluminum alloy (table, base)/black oxide chrome, black satin anodized finish					

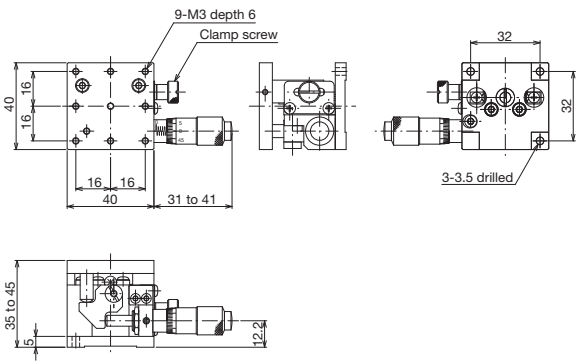


High-Grade Stages ◀ Manual Stages ◀

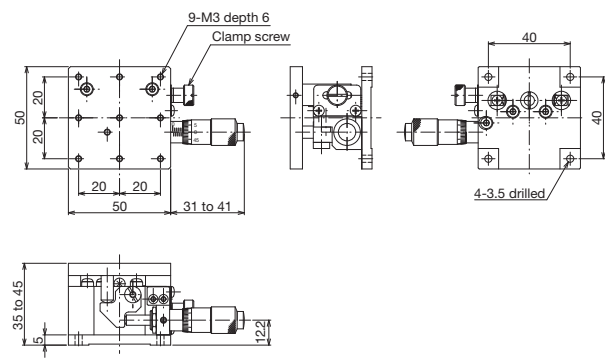
Product Appearance



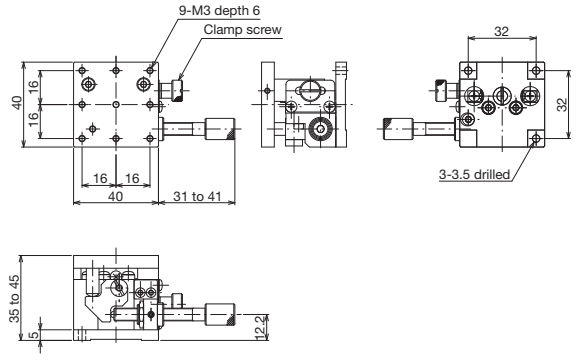
TLV-3047-1



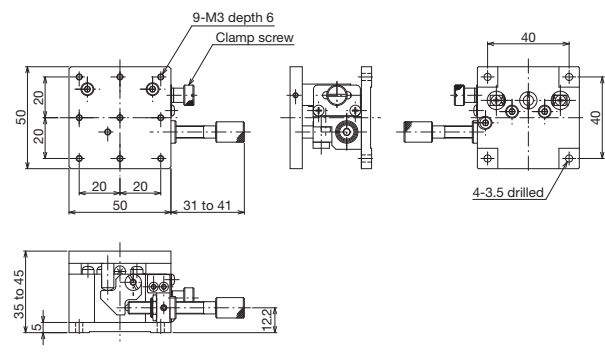
TLV-4042-1



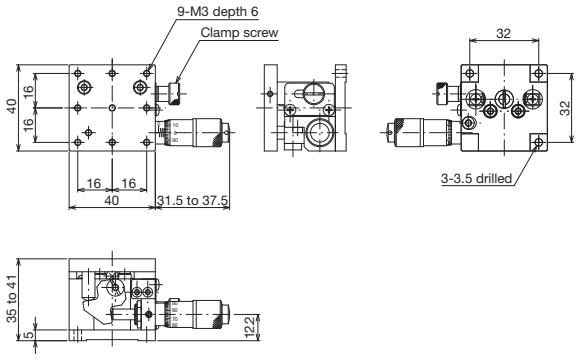
TLV-5042-1



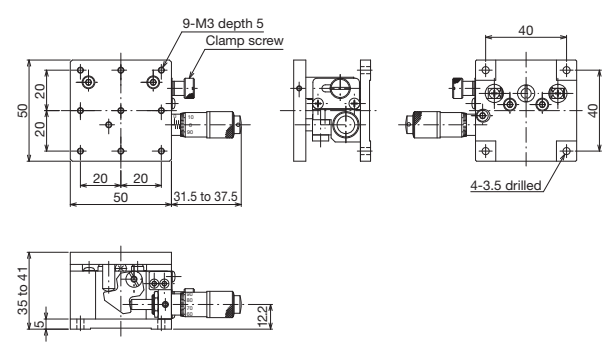
TLV-4042-6



TLV-5042-6



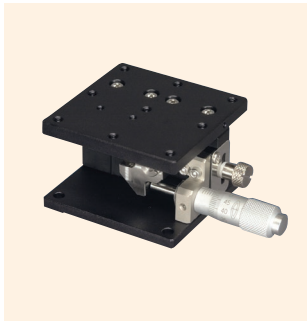
TLV-4042-8



TLV-5042-8

Motorized Stages	Automated Products for Microscopes	Manual Stages	FX Stages	Thin V8 Stages	Rack & Pinion Stages	High-Grade Stages	Swim Stages, Cross Roller Stages	Z-Like Stages, Z Stages	Rotary Stages	TR Stages	TR/Rotary Stages	XZ, YZ Stages	XVZ Stages
------------------	------------------------------------	---------------	-----------	----------------	----------------------	-------------------	----------------------------------	-------------------------	---------------	-----------	------------------	---------------	------------

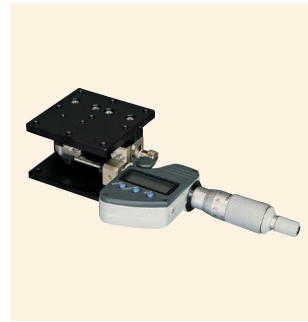
High-Grade Z Lift Stages 60 x 60, 70 x 70



↑ TLV-6042-1



↑ TLV-6042-6



↑ TLV-6042-7



↑ TLV-6042-8

Features

- Combines aluminum alloy with the HG-VCR method to be a Z axis lift type stage that achieves both high rigidity and light weight.
- Feed screws, standard micrometers, fine pitch micrometers, and digimatic micrometers are available for the feed method.
- Versatile use for precision positioning of cameras, sensors, workpieces, and more.

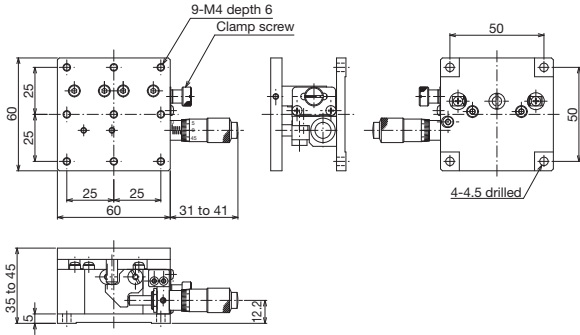
Model number	TLV-6042-1	TLV-6042-6	TLV-6042-7	TLV-6042-8
Model name	High-Grade Z Lift Stage 60 x 60			
Travel direction	Z-axis single direction			
Stage surface	60 mm x 60 mm			
Clamp method	Plate clamp			
Feed method	CMH-13RM (Standard micrometer)	Feed screw P=0.5 mm	MHN4-25MX (Digimatic micrometer)	MHS4-6.5FP (Fine pitch micro)
Travel amount	0 to 10 mm			
Travel amount/1 knob rotation	0.5 mm			
Scale	Micrometer 0.01 mm	-	Digital display 0.001 mm	Micrometer 0.002 mm
Sensitivity	0.003 mm	0.01 mm	0.001 mm	
Travel guide	HG-VCR (V-groove and cross rollers)			
Travel accuracy	Straightness (horizontal/vertical) 0.003 mm			
Permissible moment load	Yaw 150 N·cm, pitch 100 N·cm, roll 160 N·cm			
Moment rigidity	Yaw rigidity 1.0 s/N·cm, pitch rigidity 2.5 s/N·cm, roll rigidity 0.4 s/N·cm			
Parallelism	0.1 mm			
Perpendicularity of motion	0.01 mm			
Load capacity	29.3 N (3 kgf)			
Mass	0.3 kg	0.5 kg		0.3 kg
Main materials/surface treatment	Stainless steel, aluminum alloy (table, base)/black oxide chrome, black satin anodized finish			

Model number	TLV-7042-1	TLV-7042-6	TLV-7042-7	TLV-7042-8
Model name	High-Grade Z Lift Stage 70 x 70			
Travel direction	Z-axis single direction			
Stage surface	70 mm x 70 mm			
Clamp method	Plate clamp			
Feed method	CMH-13RM (Standard micrometer)	Feed screw P=0.5 mm	MHN4-25MX (Digimatic micrometer)	MHS4-6.5FP (Fine pitch micro)
Travel amount	0 to 10 mm			
Travel amount/1 knob rotation	0.5 mm			
Scale	Micrometer 0.01 mm	-	Digital display 0.001 mm	Micrometer 0.002 mm
Sensitivity	0.003 mm	0.01 mm	0.001 mm	
Travel guide	HG-VCR (V-groove and cross rollers)			
Travel accuracy	Straightness (horizontal/vertical): 0.005 mm			
Permissible moment load	Yaw 150 N·cm, pitch 100 N·cm, roll 160 N·cm			
Moment rigidity	Yaw rigidity 1.0 s/N·cm, pitch rigidity 2.5 s/N·cm, roll rigidity 0.4 s/N·cm			
Parallelism	0.1 mm			
Perpendicularity of motion	0.01 mm			
Load capacity	29.3 N (3 kgf)			
Mass	0.4 kg	0.6 kg		0.4 kg
Main materials/surface treatment	Stainless steel, aluminum alloy (table, base)/black oxide chrome, black satin anodized finish			

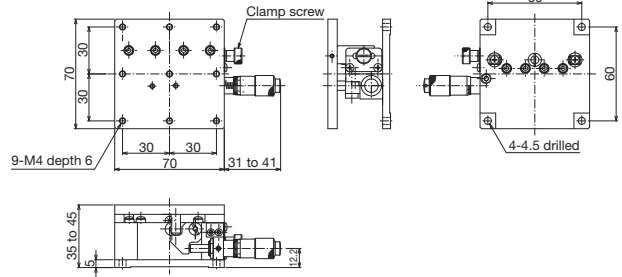


High-Grade Stages ◀ Manual Stages ◀

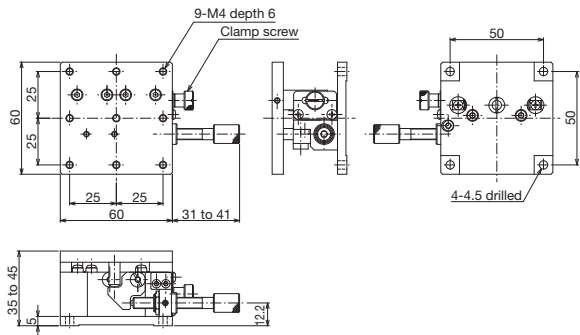
Product Appearance



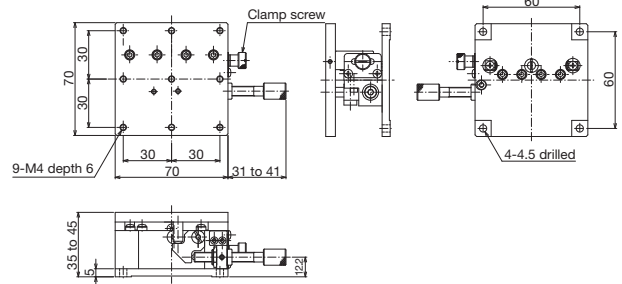
↑ TLV-6042-1



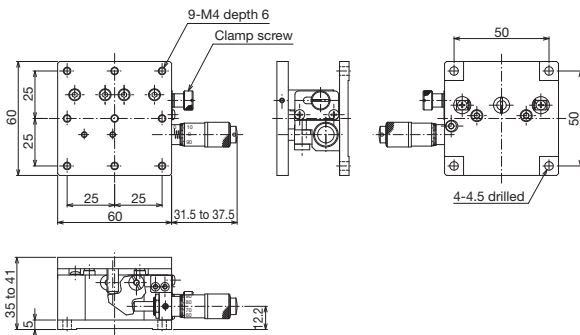
↑ TLV-7042-1



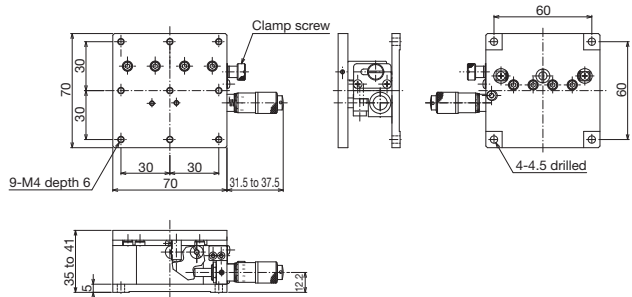
↑ TLV-6042-6



↑ TLV-7042-6



↑ TLV-6042-8



↑ TLV-7042-8

Motorized Stages
Automated Products for Microscopes
Manual Stages
Fix Stages
Thin V8 Stages
Rack & Pinion Stages
High-Grade Stages
Spin Stages, Cross Roller Stages
Z-Like Stages, Z Stages
Rotary Stages
Tilt Stages
Tilt/Rotary Stages
XZ, YZ Stages
XYZ Stages