

High-Grade Z Stages 40 x 40 (Stainless Steel)



↑ TLZ-4042-C1



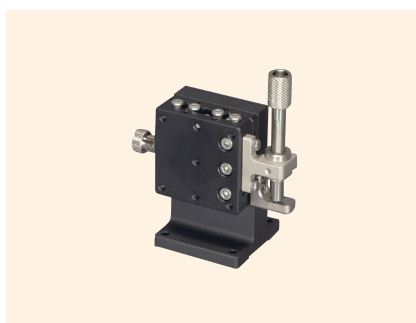
↑ TLZ-4042-C6



↑ TLZ-4042-C8



↑ TLZ-4042-S1



↑ TLZ-4042-S6



↑ TLZ-4042-S8

Features

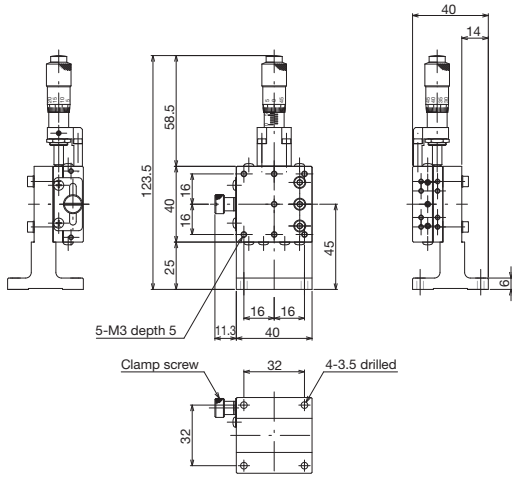
- A high-accuracy, high-rigidity stage using the HG-VCR method.
- Standard types and symmetrical types are available for a left-right symmetrical structure.
- Feed screws, standard micrometers, and fine pitch micrometers are available for the feed method.
- Clamp method is with a plate clamp.
- Versatile use for precision positioning of cameras, sensors, workpieces, and more.

Model number (standard)	TLZ-4042-C1	TLZ-4042-S1	TLZ-4042-C6	TLZ-4042-S6	TLZ-4042-C8	TLZ-4042-S8
Model number (symmetrical)	TLZ-4042-CR1	TLZ-4042-SR1	TLZ-4042-CR6	TLZ-4042-SR6	TLZ-4042-CR8	TLZ-4042-SR8
Model name	High-Grade Z Stage 40 x 40					
Travel direction	Z-axis single direction					
Stage surface	40 mm x 40 mm					
Clamp method	Plate clamp					
Operating part mounting position	Center	Side	Center	Side	Center	Side
Feed method	CMH-13RM (Standard micrometer)		Feed screw P=0.5 mm		MHS4-6.5FP (Fine pitch micro)	
Travel amount	±6.5 mm				±3 mm	
Travel amount/1 knob rotation	0.5 mm				0.1 mm	
Scale	Micrometer 0.01 mm		-		Micrometer 0.002 mm	
Sensitivity	0.003 mm		0.01 mm		0.001 mm	
Travel guide	HG-VCR (V-groove and cross rollers)					
Travel accuracy	Straightness (horizontal/vertical): 0.001 mm Yaw 15 s, pitch 25 s					
Permissible moment	Yaw 500 N-cm, pitch 500 N-cm, roll 500 N-cm					
Moment rigidity	Yaw rigidity 0.04 s/N-cm, pitch rigidity 0.04 s/N-cm, roll rigidity 0.02 s/N-cm					
Perpendicularity	0.065 mm					
Perpendicularity of motion	0.025 mm					
Load capacity	49 N (5 kgf)					
Mass	0.3 kg					
Main materials/surface treatment	Stainless steel, aluminum alloy (Z bracket)/black oxide chrome, black satin anodized finish					



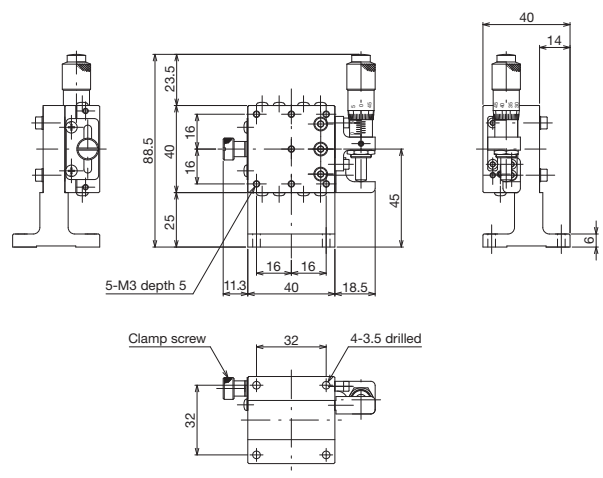
High-Grade Stages ◀ Manual Stages ◀

Product Appearance



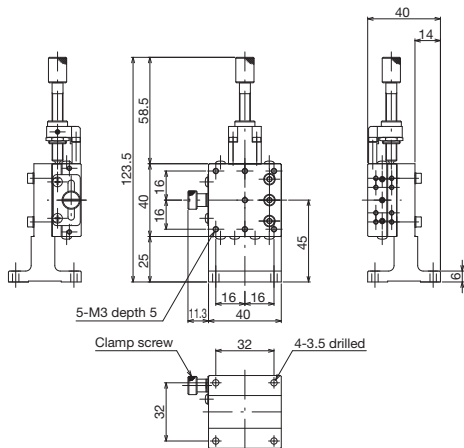
*TLZ-4042-CR1 is a symmetrical type with the same dimensions as TLZ-4042-C1.

↑ TLZ-4042-C1



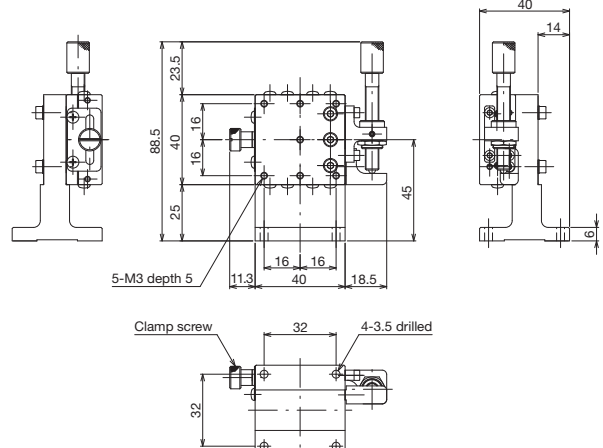
*TLZ-4042-SR1 is a symmetrical type with the same dimensions as TLZ-4042-S1.

↑ TLZ-4042-S1



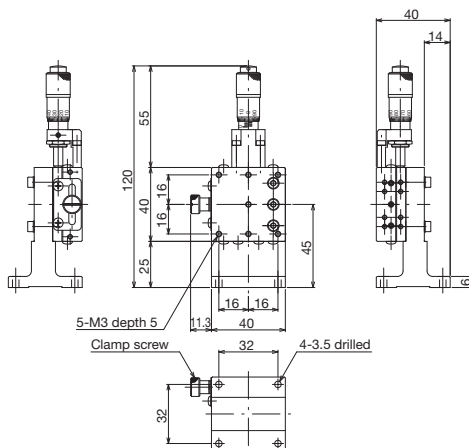
*TLZ-4042-CR6 is a symmetrical type with the same dimensions as TLZ-4042-C6.

↑ TLZ-4042-C6



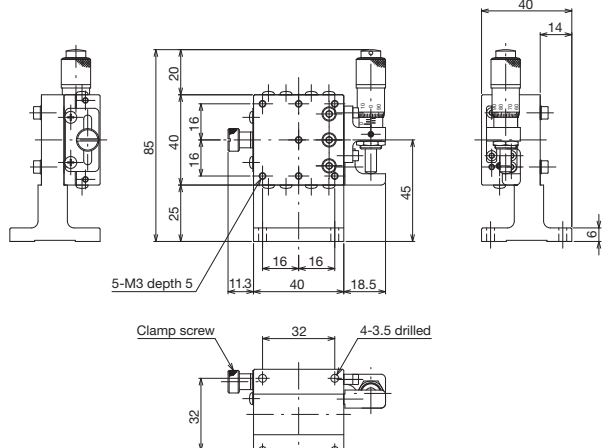
*TLZ-4042-SR6 is a symmetrical type with the same dimensions as TLZ-4042-S6.

↑ TLZ-4042-S6



*TLZ-4042-CR8 is a symmetrical type with the same dimensions as TLZ-4042-C8.

↑ TLZ-4042-C8



*TLZ-4042-SR8 is a symmetrical type with the same dimensions as TLZ-4042-S8.

↑ TLZ-4042-S8

Motorized Stages
Automated Products for Microscopes
Manual Stages
Fix Stages
Thin V8 Stages
Rack & Pinion Stages
High-Grade Stages
Spin Stages, Cross Roller Stages
Z-Like Stages
Rodless Stages
Tilt Stages
Tilt/Rotary Stages
XZ, YZ Stages
XYZ Stages

High-Grade Z Stages 40 x 40 (Stainless Steel)



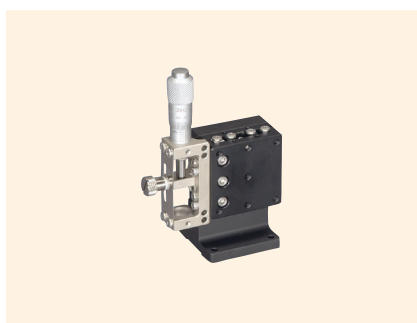
↑ TLZ-4042-S1-2



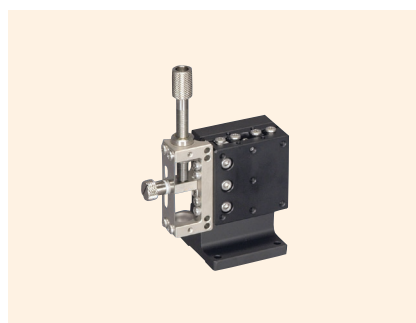
↑ TLZ-4042-S6-2



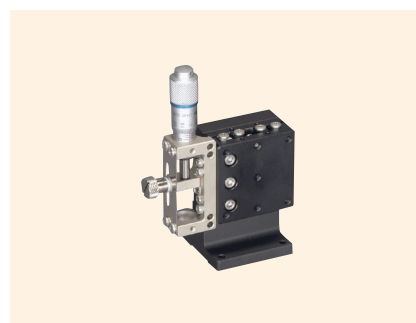
↑ TLZ-4042-S8-2



↑ TLZ-4042-SR1-2



↑ TLZ-4042-SR6-2



↑ TLZ-4042-SR8-2

Features

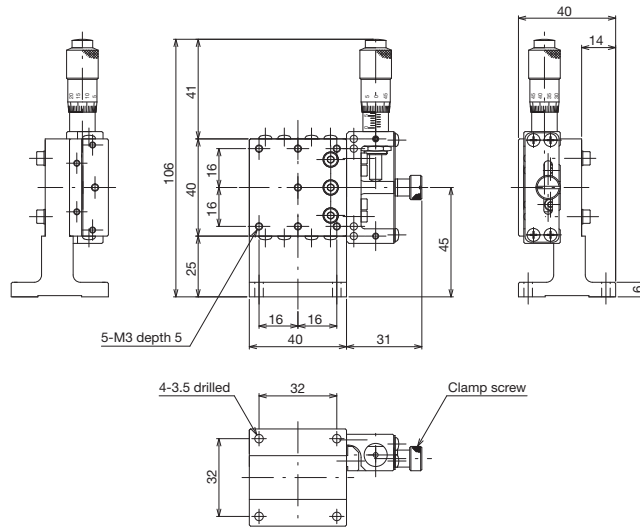
- A high-accuracy, high-rigidity stage using the HG-VCR method.
- Standard types and symmetrical types are available for a left-right symmetrical structure.
- Feed screws, standard micrometers, and fine pitch micrometers are available for the feed method.
- Clamp method is an operator side plate clamp.
- Versatile use for precision positioning of cameras, sensors, workpieces, and more.

Model number (standard)	TLZ-4042-S1-2	TLZ-4042-S6-2	TLZ-4042-S8-2
Model number (symmetrical)	TLZ-4042-SR1-2	TLZ-4042-SR6-2	TLZ-4042-SR8-2
Model name	High-Grade Z Stage 40 x 40		
Travel direction	Z-axis single direction		
Stage surface	40 mm x 40 mm		
Clamp method	Operator side plate clamp (capable of feeding and clamping the stage on the same surface)		
Operating part mounting position	Side		
Feed method	CMH-13RM (Standard micrometer)	Feed screw P=0.5 mm	MHS4-6.5FP (Fine pitch micro)
Travel amount	±6.5 mm		±3 mm
Travel amount/1 knob rotation	0.5 mm		0.1 mm
Scale	Micrometer 0.01 mm	-	Micrometer 0.002 mm
Sensitivity	0.003 mm	0.01 mm	0.001 mm
Travel guide	HG-VCR (V-groove and cross rollers)		
Travel accuracy	Straightness (horizontal/vertical): 0.001 mm Yaw 15 s, pitch 25 s		
Permissible moment	Yaw 500 N-cm, pitch 500 N-cm, roll 500 N-cm		
Moment rigidity	Yaw rigidity 0.04 s/N-cm, pitch rigidity 0.04 s/N-cm, roll rigidity 0.02 s/N-cm		
Perpendicularity	0.065 mm		
Perpendicularity of motion	0.025 mm		
Load capacity	49 N (5 kgf)		
Mass	0.3 kg		
Main materials/surface treatment	Stainless steel, aluminum alloy (Z bracket)/black oxide chrome, black satin anodized finish		

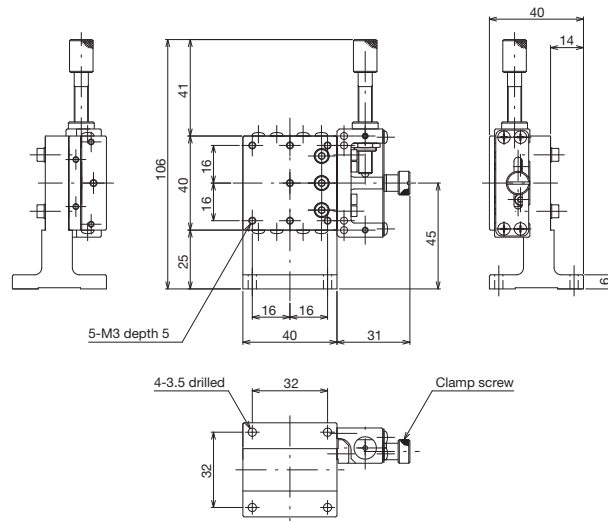


High-Grade Stages ◀ Manual Stages ◀

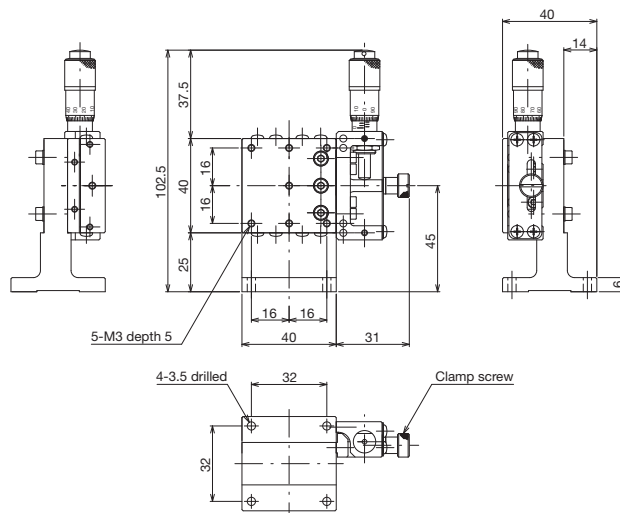
Product Appearance



*TLZ-4042-SR1-2 is a symmetrical type with the same dimensions as TLZ-4042-S1-2. [↑ TLZ-4042-S1-2](#)



*TLZ-4042-SR6-2 is a symmetrical type with the same dimensions as TLZ-4042-S6-2. [↑ TLZ-4042-S6-2](#)



*TLZ-4042-SR8-2 is a symmetrical type with the same dimensions as TLZ-4042-S8-2. [↑ TLZ-4042-S8-2](#)

Motorized Stages	Automated Products for Microscopes	Manual Stages	Fix Stages	Thin V8 Stages	Rack & Pinion Stages	High-Grade Stages	Swim Stages, Cross Roller Stages	Z-Like Stages, Z Stages	Rodless Stages	TTR Stages	TTR/Rotary Stages	XZ, YZ Stages	XZ Stages
------------------	------------------------------------	---------------	------------	----------------	----------------------	-------------------	----------------------------------	-------------------------	----------------	------------	-------------------	---------------	-----------

High-Grade Z Stages 50 x 50 (Stainless Steel)



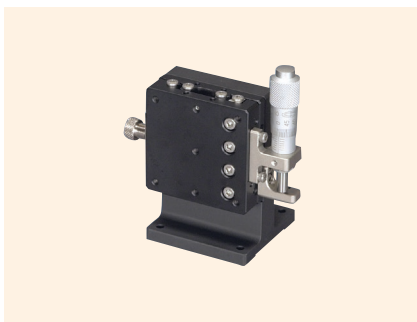
↑ TLZ-5042-C1



↑ TLZ-5042-C6



↑ TLZ-5042-C8



↑ TLZ-5042-S1



↑ TLZ-5042-S6



↑ TLZ-5042-S8

Features

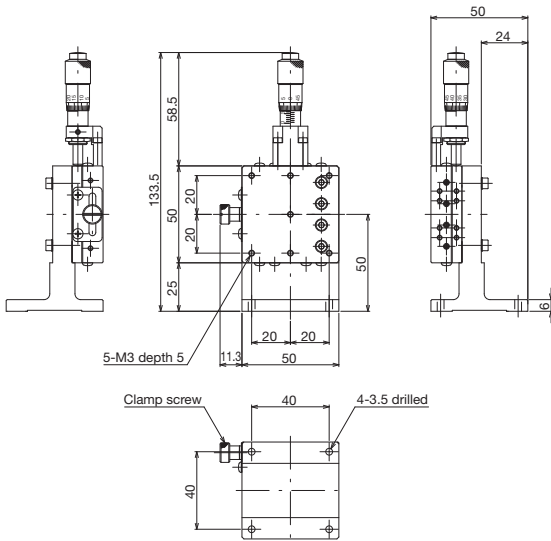
- A high-accuracy, high-rigidity stage using the HG-VCR method.
- Standard types and symmetrical types are available for a left-right symmetrical structure.
- Feed screws, standard micrometers, and fine pitch micrometers are available for the feed method.
- Clamp method is with a plate clamp.
- Versatile use for precision positioning of cameras, sensors, workpieces, and more.

Model number (standard)	TLZ-5042-C1	TLZ-5042-S1	TLZ-5042-C6	TLZ-5042-S6	TLZ-5042-C8	TLZ-5042-S8
Model number (symmetrical)	TLZ-5042-CR1	TLZ-5042-SR1	TLZ-5042-CR6	TLZ-5042-SR6	TLZ-5042-CR8	TLZ-5042-SR8
Model name	High-Grade Z Stage 50 x 50					
Travel direction	Z-axis single direction					
Stage surface	50 mm x 50 mm					
Clamp method	Plate clamp					
Operating part mounting position	Center	Side	Center	Side	Center	Side
Feed method	CMH-13RM (Standard micrometer)		Feed screw P=0.5 mm		MHS4-6.5FP (Fine pitch micro)	
Travel amount	±6.5 mm			±3 mm		
Travel amount/1 knob rotation	0.5 mm			0.1 mm		
Scale	Micrometer 0.01 mm		-		Micrometer 0.002 mm	
Sensitivity	0.003 mm		0.01 mm		0.001 mm	
Travel guide	HG-VCR (V-groove and cross rollers)					
Travel accuracy	Straightness (horizontal/vertical): 0.001 mm Yaw 15 s, pitch 25 s					
Permissible moment	Yaw 800 N-cm, pitch 800 N-cm, roll 800 N-cm					
Moment rigidity	Yaw rigidity 0.04 s/N-cm, pitch rigidity 0.04 s/N-cm, roll rigidity 0.02 s/N-cm					
Perpendicularity	0.065 mm					
Perpendicularity of motion	0.025 mm					
Load capacity	49 N (5 kgf)					
Mass	0.45 kg					
Main materials/surface treatment	Stainless steel, aluminum alloy (Z bracket)/black oxide chrome, black satin anodized finish					



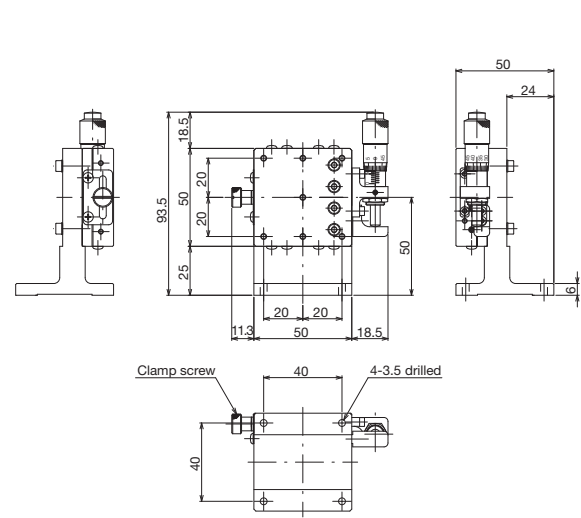
High-Grade Stages ◀ Manual Stages ◀

Product Appearance



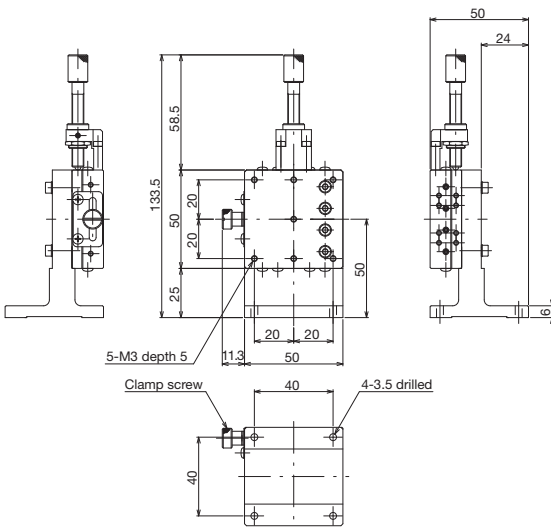
*TLZ-5042-CR1 is a symmetrical type with the same dimensions as TLZ-5042-C1.

↑ TLZ-5042-C1



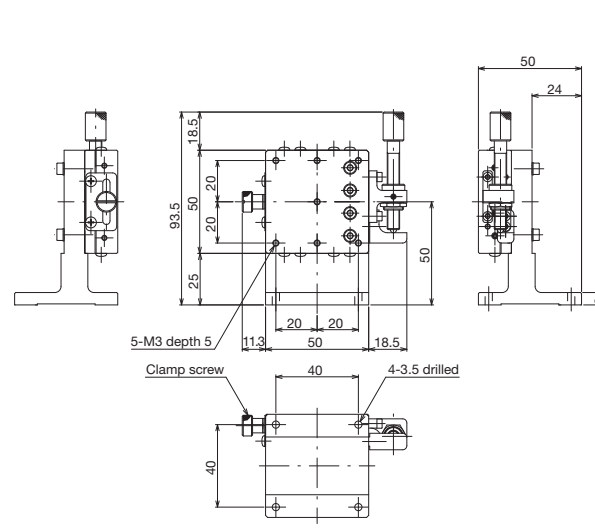
*TLZ-5042-SR1 is a symmetrical type with the same dimensions as TLZ-5042-S1.

↑ TLZ-5042-S1



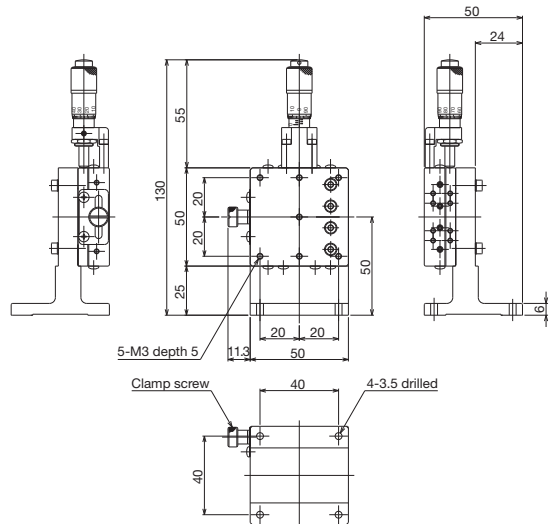
*TLZ-5042-CR6 is a symmetrical type with the same dimensions as TLZ-5042-C6.

↑ TLZ-5042-C6



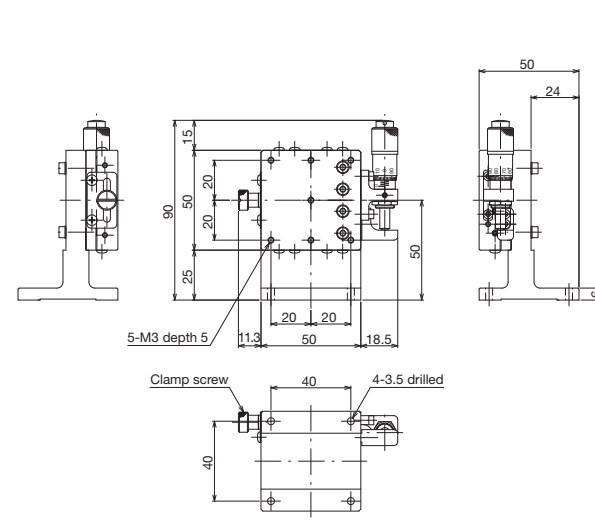
*TLZ-5042-SR6 is a symmetrical type with the same dimensions as TLZ-5042-S6.

↑ TLZ-5042-S6



*TLZ-5042-CR8 is a symmetrical type with the same dimensions as TLZ-5042-C8.

↑ TLZ-5042-C8



*TLZ-5042-SR8 is a symmetrical type with the same dimensions as TLZ-5042-S8.

↑ TLZ-5042-S8

Motorized Stages
Automated Products for Microscopes
Manual Stages
Fix Stages
Thin Vθ Stages
Rack & Pinion Stages
High-Grade Stages
Spin Stages, Cross Roller Stages
Z-Like Stages
Rotary Stages
Tilt Stages
Tilt/Rotary Stages
XZ, YZ Stages
XYZ Stages

High-Grade Z Stages 50 x 50 (Stainless Steel)



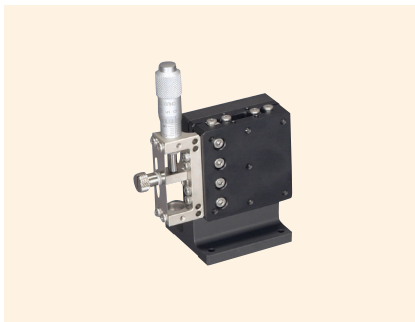
↑ TLZ-5042-S1-2



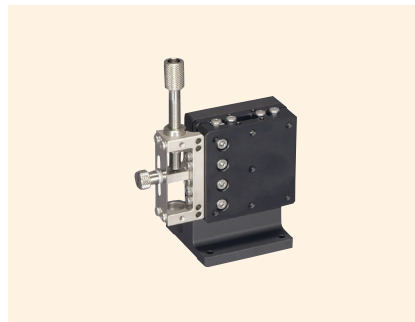
↑ TLZ-5042-S6-2



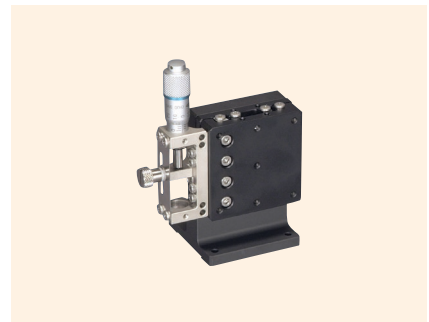
↑ TLZ-5042-S8-2



↑ TLZ-5042-SR1-2



↑ TLZ-5042-SR6-2



↑ TLZ-5042-SR8-2

Features

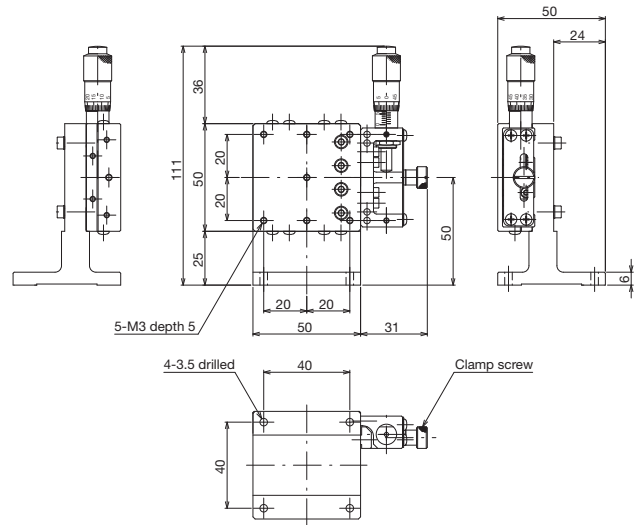
- A high-accuracy, high-rigidity stage using the HG-VCR method.
- Standard types and symmetrical types are available for a left-right symmetrical structure.
- Feed screws, standard micrometers, and fine pitch micrometers are available for the feed method.
- Clamp method is an operator side plate clamp.
- Versatile use for precision positioning of cameras, sensors, workpieces, and more.

Model number (standard)	TLZ-5042-S1-2	TLZ-5042-S6-2	TLZ-5042-S8-2
Model number (symmetrical)	TLZ-5042-SR1-2	TLZ-5042-SR6-2	TLZ-5042-SR8-2
Model name	High-Grade Z Stage 50 x 50		
Travel direction	Z-axis single direction		
Stage surface	50 mm x 50 mm		
Clamp method	Operator side plate clamp (capable of feeding and clamping the stage on the same surface)		
Operating part mounting position	Side		
Feed method	CMH-13RM (Standard micrometer)	Feed screw P=0.5 mm	MHS4-6.5FP (Fine pitch micro)
Travel amount	±6.5 mm		±3 mm
Travel amount/1 knob rotation	0.5 mm		0.1 mm
Scale	Micrometer 0.01 mm	-	Micrometer 0.002 mm
Sensitivity	0.003 mm	0.01 mm	0.001 mm
Travel guide	HG-VCR (V-groove and cross rollers)		
Travel accuracy	Straightness (horizontal/vertical): 0.001 mm Yaw 15 s, pitch 25 s		
Permissible moment	Yaw 800 N-cm, pitch 800 N-cm, roll 800 N-cm		
Moment rigidity	Yaw rigidity 0.04 s/N-cm, pitch rigidity 0.04 s/N-cm, roll rigidity 0.02 s/N-cm		
Perpendicularity	0.065 mm		
Perpendicularity of motion	0.025 mm		
Load capacity	49 N (5 kgf)		
Mass	0.45 kg		
Main materials/surface treatment	Stainless steel, aluminum alloy (Z bracket)/black oxide chrome, black satin anodized finish		

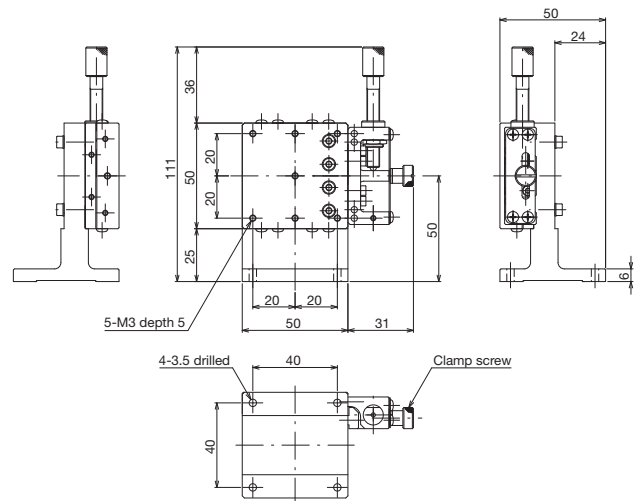


High-Grade Stages ◀ Manual Stages ◀

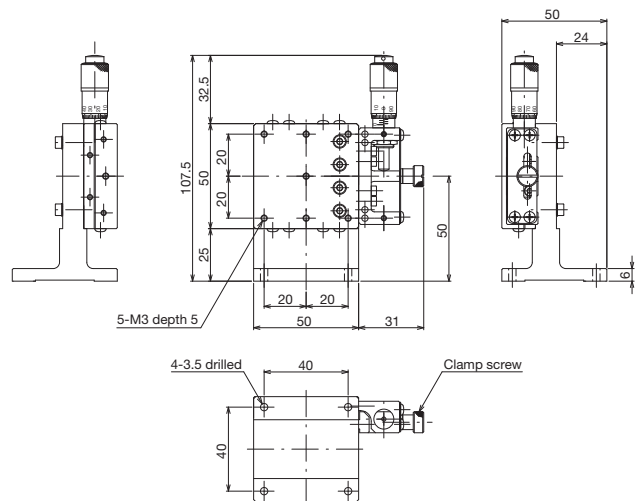
Product Appearance



*TLZ-5042-SR1-2 is a symmetrical type with the same dimensions as TLZ-5042-S1-2. [↑ TLZ-5042-S1-2](#)



*TLZ-5042-SR6-2 is a symmetrical type with the same dimensions as TLZ-5042-S6-2. [↑ TLZ-5042-S6-2](#)



*TLZ-5042-SR8-2 is a symmetrical type with the same dimensions as TLZ-5042-S8-2. [↑ TLZ-5042-S8-2](#)

Motorized Stages	Automated Products for Microscopes	Manual Stages	Fx Stages	Thin Vθ Stages	Rack & Pinion Stages	High-Grade Stages	Spin Stages, Cross Roller Stages	Z-Like Stages, Z Stages	Rotary Stages	Tilt Stages	Tilt/Rotary Stages	XZ, YZ Stages	XYZ Stages
------------------	------------------------------------	---------------	-----------	----------------	----------------------	-------------------	----------------------------------	-------------------------	---------------	-------------	--------------------	---------------	------------

High-Grade Z Stages 60 x 60 (Stainless Steel)



↑ TLZ-6042-C1



↑ TLZ-6042-C6



↑ TLZ-6042-C7



↑ TLZ-6042-C8



↑ TLZ-6042-CR1



↑ TLZ-6042-CR6



↑ TLZ-6042-CR7



↑ TLZ-6042-CR8

Features

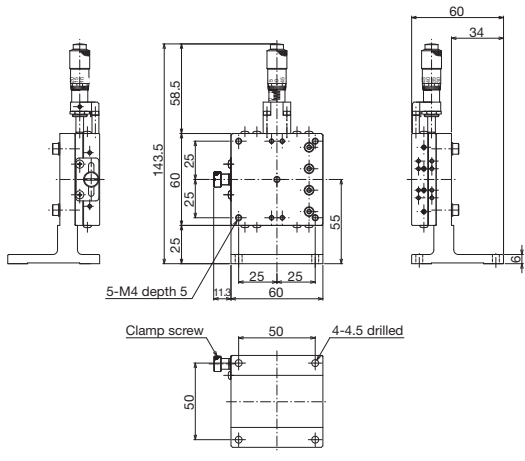
- A high-accuracy, high-rigidity stage using the HG-VCR method.
- Standard types and symmetrical types are available for a left-right symmetrical structure.
- Feed screws, standard micrometers, fine pitch micrometers, and digimatic micrometers are available for the feed method.
- Clamp method is with a plate clamp.
- Versatile use for precision positioning of cameras, sensors, workpieces, and more.

Model number (standard)	TLZ-6042-C1	TLZ-6042-C6	TLZ-6042-C7	TLZ-6042-C8
Model number (symmetrical)	TLZ-6042-CR1	TLZ-6042-CR6	TLZ-6042-CR7	TLZ-6042-CR8
Model name	High-Grade Z Stage 60 x 60			
Travel direction	Z-axis single direction			
Stage surface	60 mm x 60 mm			
Clamp method	Plate clamp			
Operating part mounting position	Center			
Feed method	CMH-13RM (Standard micrometer)	Feed screw P=0.5 mm	MHN4-25MX (Digimatic micrometer)	MHS4-6.5FP (Fine pitch micro)
Travel amount	±6.5 mm			±3 mm
Travel amount/1 knob rotation	0.5 mm			0.1 mm
Scale	Micrometer 0.01 mm	-	Digital display 0.001 mm	Micrometer 0.002 mm
Sensitivity	0.003 mm	0.01 mm	0.001 mm	
Travel guide	HG-VCR (V-groove and cross rollers)			
Travel accuracy	Straightness (horizontal/vertical): 0.001 mm Yaw 15 s, pitch 25 s			
Permissible moment	Yaw 1200 N-cm, pitch 1200 N-cm, roll 1200 N-cm			
Moment rigidity	Yaw rigidity 0.04 s/N-cm, pitch rigidity 0.04 s/N-cm, roll rigidity 0.02 s/N-cm			
Perpendicularity	0.065 mm			
Perpendicularity of motion	0.025 mm			
Load capacity	49 N (5 kgf)			
Mass	0.6 kg		0.8 kg	0.6 kg
Main materials/surface treatment	Stainless steel, aluminum alloy (Z bracket)/black oxide chrome, black satin anodized finish			



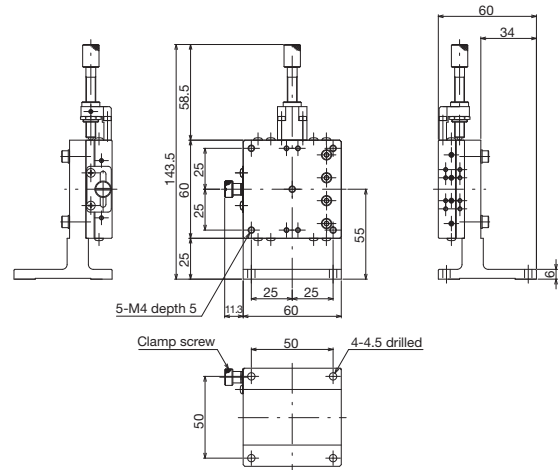
High-Grade Stages ◀ Manual Stages ◀

Product Appearance



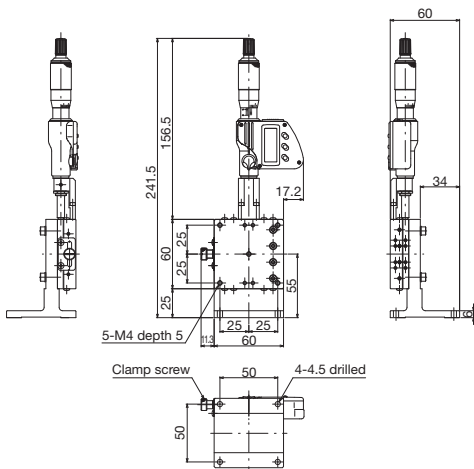
*TLZ-6042-CR1 is a symmetrical type with the same dimensions as TLZ-6042-C1.

↑ TLZ-6042-C1



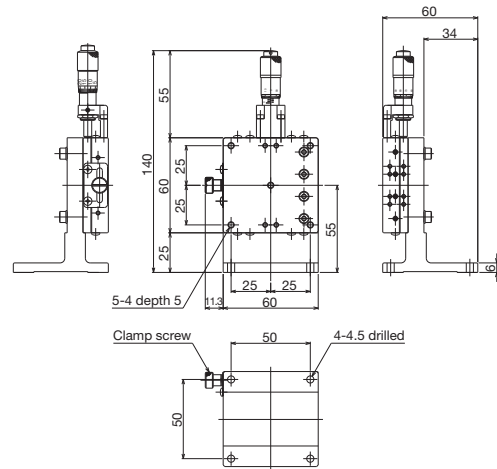
*TLZ-6042-CR6 is a symmetrical type with the same dimensions as TLZ-6042-C6.

↑ TLZ-6042-C6



*TLZ-6042-CR7 is a symmetrical type with the same dimensions as TLZ-6042-C7.

↑ TLZ-6042-C7

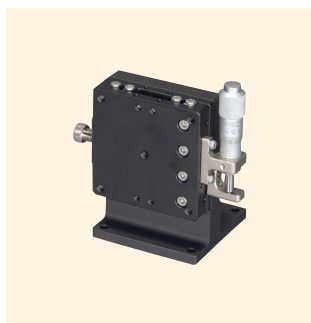


*TLZ-6042-CR8 is a symmetrical type with the same dimensions as TLZ-6042-C8.

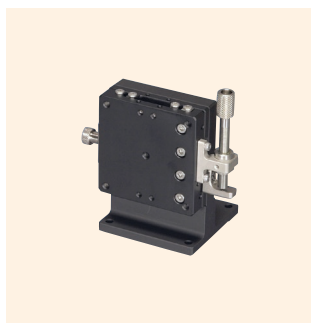
↑ TLZ-6042-C8

Motorized Stages	Automated Products for Microscopes	Manual Stages	Fix Stages	Thin V8 Stages	Rack & Pinion Stages	High-Grade Stages	Spin Stages, Cross Roller Stages	Z-Like Stages	Rotary Stages	Tilt Stages	Tilt/Rotary Stages	XZ, YZ Stages	XZ Stages
------------------	------------------------------------	---------------	------------	----------------	----------------------	-------------------	----------------------------------	---------------	---------------	-------------	--------------------	---------------	-----------

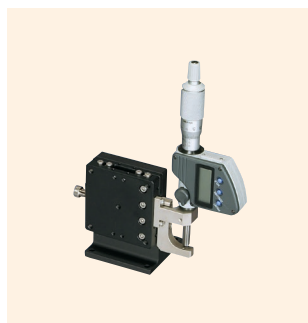
High-Grade Z Stages 60 x 60 (Stainless Steel)



↑ TLZ-6042-S1



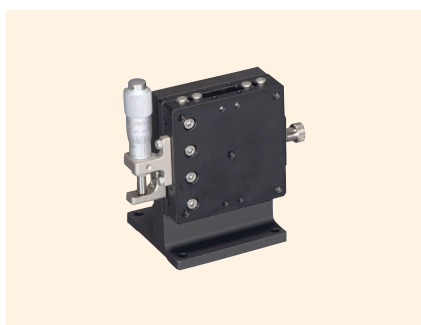
↑ TLZ-6042-S6



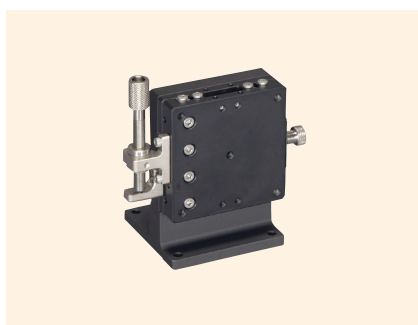
↑ TLZ-6042-S7



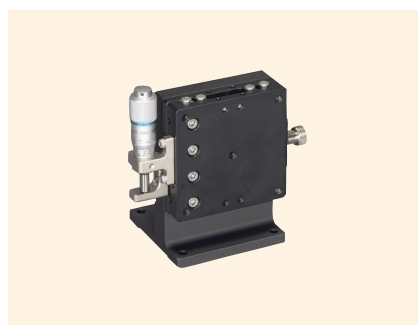
↑ TLZ-6042-S8



↑ TLZ-6042-SR1



↑ TLZ-6042-SR6



↑ TLZ-6042-SR8

Features

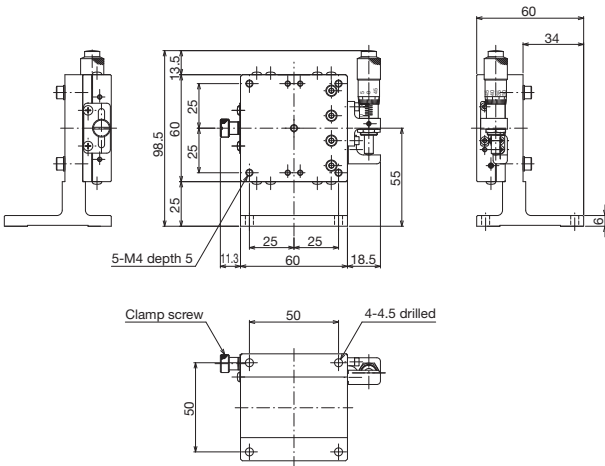
- A high-accuracy, high-rigidity stage using the HG-VCR method.
- Standard types and symmetrical types are available for a left-right symmetrical structure.
- Feed screws, standard micrometers, fine pitch micrometers, and digimatic micrometers are available for the feed method.
- Clamp method is with a plate clamp.
- Versatile use for precision positioning of cameras, sensors, workpieces, and more.

Model number (standard)	TLZ-6042-S1	TLZ-6042-S6	TLZ-6042-S7	TLZ-6042-S8
Model number (symmetrical)	TLZ-6042-SR1	TLZ-6042-SR6	-	TLZ-6042-SR8
Model name	High-Grade Z Stage 60 x 60			
Travel direction	Z-axis single direction			
Stage surface	60 mm x 60 mm			
Clamp method	Plate clamp			
Operating part mounting position	Side			
Feed method	CMH-13RM (Standard micrometer)	Feed screw P=0.5 mm	MHN4-25MX (Digimatic micrometer)	MHS4-6.5FP (Fine pitch micro)
Travel amount	±6.5 mm			±3 mm
Travel amount/1 knob rotation	0.5 mm			0.1 mm
Scale	Micrometer 0.01 mm	-	Digital display 0.001 mm	Micrometer 0.002 mm
Sensitivity	0.003 mm	0.01 mm	0.001 mm	
Travel guide	HG-VCR (V-groove and cross rollers)			
Travel accuracy	Straightness (horizontal/vertical): 0.001 mm Yaw 15 s, pitch 25 s			
Permissible moment	Yaw 1200 N-cm, pitch 1200 N-cm, roll 1200 N-cm			
Moment rigidity	Yaw rigidity 0.04 s/N-cm, pitch rigidity 0.04 s/N-cm, roll rigidity 0.02 s/N-cm			
Perpendicularity	0.065 mm			
Perpendicularity of motion	0.025 mm			
Load capacity	49 N (5 kgf)			
Mass	0.6 kg	0.8 kg		0.6 kg
Main materials/surface treatment	Stainless steel, aluminum alloy (Z bracket)/black oxide chrome, black satin anodized finish			



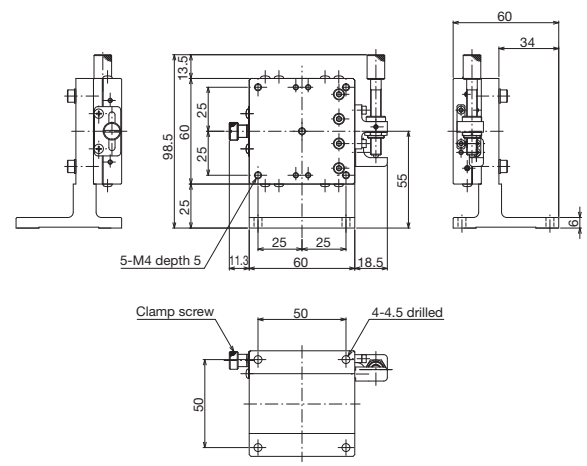
High-Grade Stages ◀ Manual Stages ◀

Product Appearance



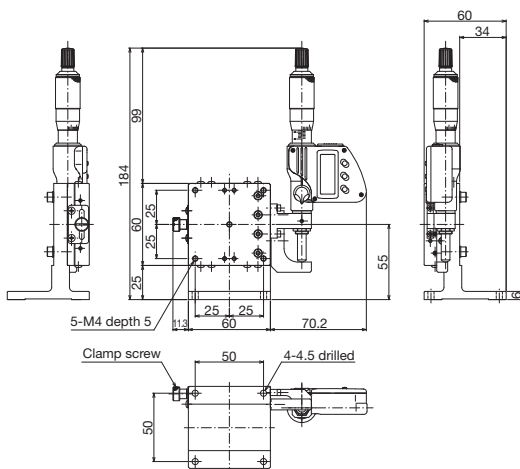
*TLZ-6042-SR1 is a symmetrical type with the same dimensions as TLZ-6042-S1.

↑ TLZ-6042-S1

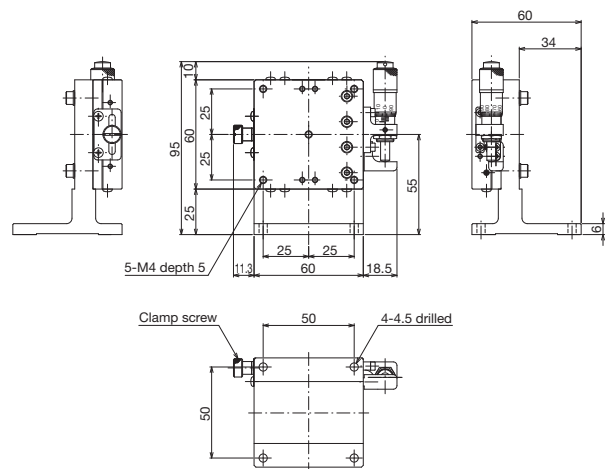


*TLZ-6042-SR6 is a symmetrical type with the same dimensions as TLZ-6042-S6.

↑ TLZ-6042-S6



↑ TLZ-6042-S7



*TLZ-6042-SR8 is a symmetrical type with the same dimensions as TLZ-6042-S8.

↑ TLZ-6042-S8

Motorized Stages
Automated Products for Microscopes
Manual Stages
Fix Stages
Thin VB Stages
Rack & Pinion Stages
High-Grade Stages
Spin Stages, Cross Roller Stages
Z-Like Stages, Z Stages
Rotary Stages
TR Stages
TR/Rotary Stages
XZ, YZ Stages
XZ Stages

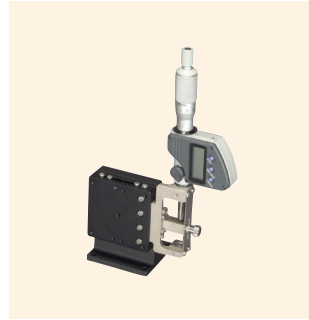
High-Grade Z Stages 60 x 60 (Stainless Steel)



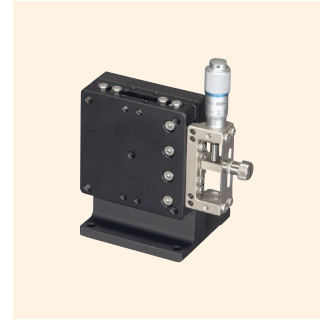
↑ TLZ-6042-S1-2



↑ TLZ-6042-S6-2



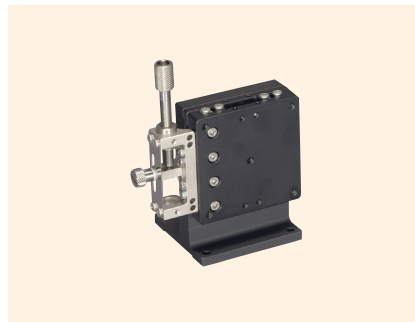
↑ TLZ-6042-S7-2



↑ TLZ-6042-S8-2



↑ TLZ-6042-SR1-2



↑ TLZ-6042-SR6-2



↑ TLZ-6042-SR8-2

Features

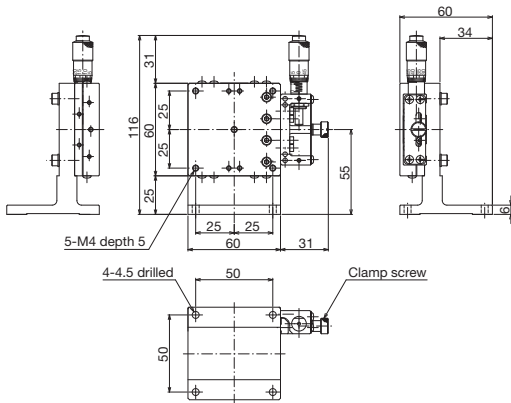
- A high-accuracy, high-rigidity stage using the HG-VCR method.
- Standard types and symmetrical types are available for a left-right symmetrical structure.
- Feed screws, standard micrometers, fine pitch micrometers, and digimatic micrometers are available for the feed method.
- Clamp method is an operator side plate clamp.
- Versatile use for precision positioning of cameras, sensors, workpieces, and more.

Model number (standard)	TLZ-6042-S1-2	TLZ-6042-S6-2	TLZ-6042-S7-2	TLZ-6042-S8-2
Model number (symmetrical)	TLZ-6042-SR1-2	TLZ-6042-SR6-2	-	TLZ-6042-SR8-2
Model name	High-Grade Z Stage 60 x 60			
Travel direction	Z-axis single direction			
Stage surface	60 mm x 60 mm			
Clamp method	Operator side plate clamp (capable of feeding and clamping the stage on the same surface)			
Operating part mounting position	Side			
Feed method	CMH-13RM (Standard micrometer)	Feed screw P=0.5 mm	MHN4-25MX (Digimatic micrometer)	MHS4-6.5FP (Fine pitch micro)
Travel amount	±6.5 mm			±3 mm
Travel amount/1 knob rotation	0.5 mm			0.1 mm
Scale	Micrometer 0.01 mm	-	Digital display 0.001 mm	Micrometer 0.002 mm
Sensitivity	0.003 mm	0.01 mm	0.001 mm	
Travel guide	HG-VCR (V-groove and cross rollers)			
Travel accuracy	Straightness (horizontal/vertical): 0.001 mm Yaw 15 s, pitch 25 s			
Permissible moment	Yaw 1200 N-cm, pitch 1200 N-cm, roll 1200 N-cm			
Moment rigidity	Yaw rigidity 0.04 s/N-cm, pitch rigidity 0.04 s/N-cm, roll rigidity 0.02 s/N-cm			
Perpendicularity	0.065 mm			
Perpendicularity of motion	0.025 mm			
Load capacity	49 N (5 kgf)			
Mass	0.6 kg	0.8 kg		0.6 kg
Main materials/surface treatment	Stainless steel, aluminum alloy (Z bracket)/black oxide chrome, black satin anodized finish			



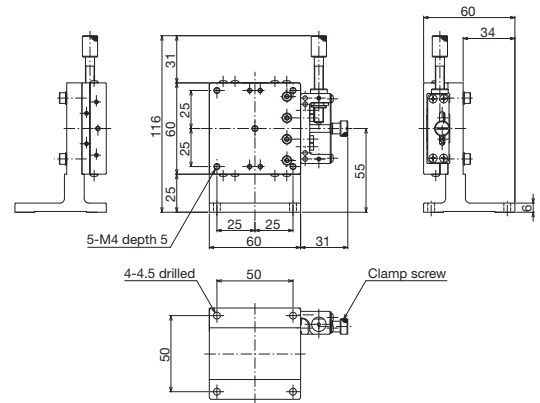
High-Grade Stages ◀ Manual Stages ◀

Product Appearance



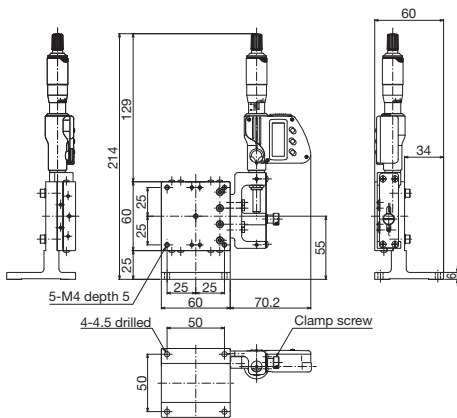
*TLZ-6042-SR1-2 is a symmetrical type with the same dimensions as TLZ-6042-S1-2.

↑ TLZ-6042-S1-2

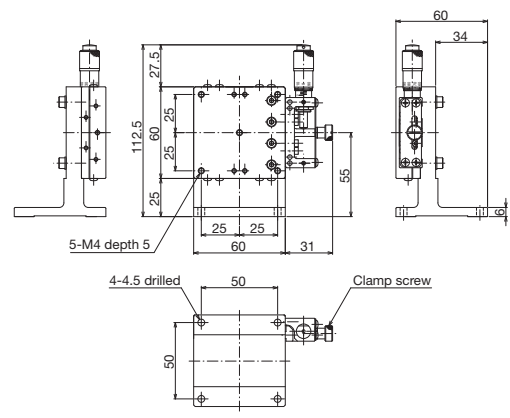


*TLZ-6042-SR6-2 is a symmetrical type with the same dimensions as TLZ-6042-S6-2.

↑ TLZ-6042-S6-2



↑ TLZ-6042-S7-2



*TLZ-6042-SR8-2 is a symmetrical type with the same dimensions as TLZ-6042-S8-2.

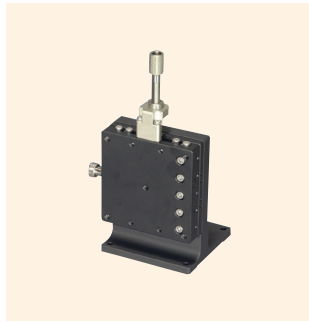
↑ TLZ-6042-S8-2

Motorized Stages	Automated Products for Microscopes	Manual Stages
Fix Stages	Thin VB Stages	Rack & Pinion Stages
High-Grade Stages	Spin Stages, Cross Roller Stages, Z-Like Stages, Z Stages	Rotary Stages
Thin Stages	Thin Rotary Stages	XZ, YZ Stages
		XZ Stages

High-Grade Z Stages 70 x 70 (Stainless Steel)



↑ TLZ-7042-C1



↑ TLZ-7042-C6



↑ TLZ-7042-C7



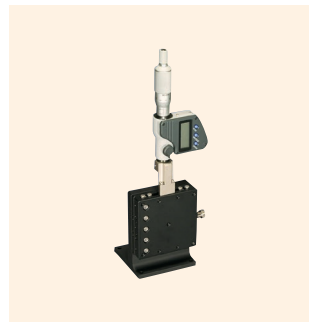
↑ TLZ-7042-C8



↑ TLZ-7042-CR1



↑ TLZ-7042-CR6



↑ TLZ-7042-CR7



↑ TLZ-7042-CR8

Features

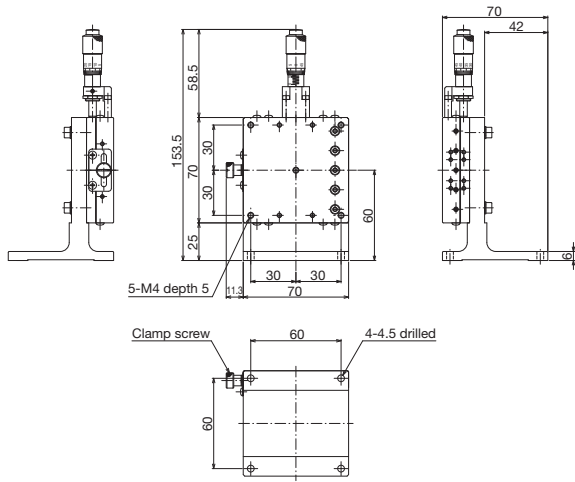
- A high-accuracy, high-rigidity stage using the HG-VCR method.
- Standard types and symmetrical types are available for a left-right symmetrical structure.
- Feed screws, standard micrometers, fine pitch micrometers, and digimatic micrometers are available for the feed method.
- Clamp method is with a plate clamp.
- Versatile use for precision positioning of cameras, sensors, workpieces, and more.

Model number (standard)	TLZ-7042-C1	TLZ-7042-C6	TLZ-7042-C7	TLZ-7042-C8
Model number (symmetrical)	TLZ-7042-CR1	TLZ-7042-CR6	TLZ-7042-CR7	TLZ-7042-CR8
Model name	High-Grade Z Stage 70 x 70			
Travel direction	Z-axis single direction			
Stage surface	70 mm x 70 mm			
Clamp method	Plate clamp			
Operating part mounting position	Center			
Feed method	CMH-13RM (Standard micrometer)	Feed screw P=0.5 mm	MHN4-25MX (Digimatic micrometer)	MHS4-6.5FP (Fine pitch micro)
Travel amount	±6.5 mm			±3 mm
Travel amount/1 knob rotation	0.5 mm			0.1 mm
Scale	Micrometer 0.01 mm	-	Digital display 0.001 mm	Micrometer 0.002 mm
Sensitivity	0.003 mm	0.01 mm	0.001 mm	
Travel guide	HG-VCR (V-groove and cross rollers)			
Travel accuracy	Straightness (horizontal/vertical): 0.001 mm Yaw 15 s, pitch 25 s			
Permissible moment	Yaw 1500 N-cm, pitch 1500 N-cm, roll 1500 N-cm			
Moment rigidity	Yaw rigidity 0.04 s/N-cm, pitch rigidity 0.04 s/N-cm, roll rigidity 0.02 s/N-cm			
Perpendicularity	0.065 mm			
Perpendicularity of motion	0.025 mm			
Load capacity	49 N (5 kgf)			
Mass	0.85 kg	1.05 kg		0.85 kg
Main materials/surface treatment	Stainless steel, aluminum alloy (Z bracket)/black oxide chrome, black satin anodized finish			



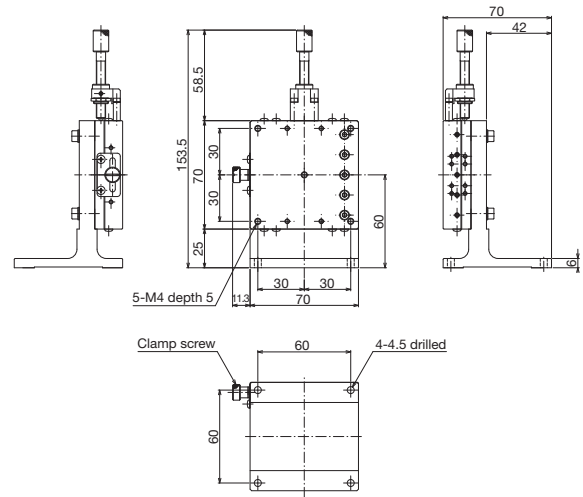
High-Grade Stages ◀ Manual Stages ◀

Product Appearance



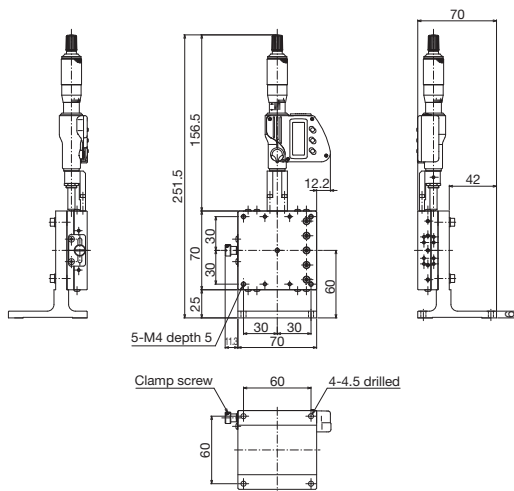
*TLZ-7042-CR1 is a symmetrical type with the same dimensions as TLZ-7042-C1.

↑ TLZ-7042-C1



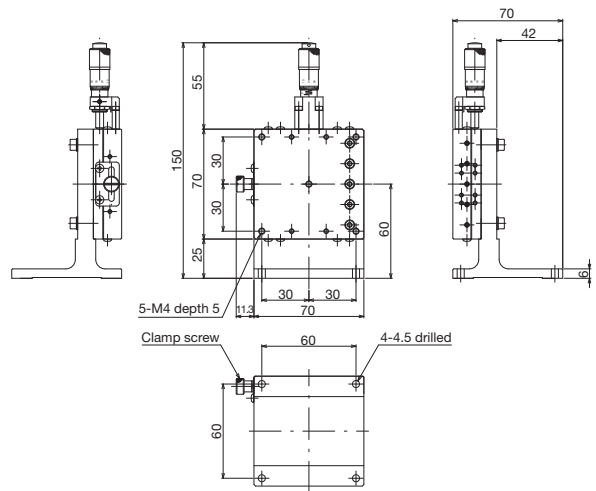
*TLZ-7042-CR6 is a symmetrical type with the same dimensions as TLZ-7042-C6.

↑ TLZ-7042-C6



*TLZ-7042-CR7 is a symmetrical type with the same dimensions as TLZ-7042-C7.

↑ TLZ-7042-C7

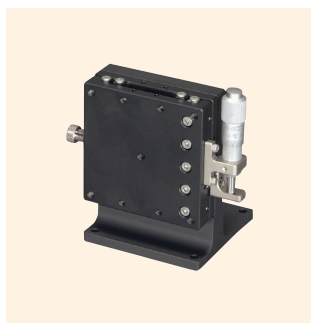


*TLZ-7042-CR8 is a symmetrical type with the same dimensions as TLZ-7042-C8.

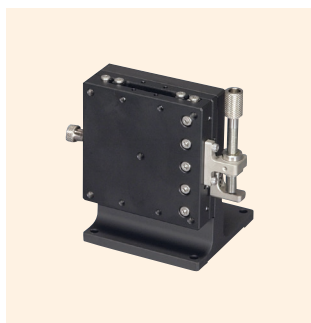
↑ TLZ-7042-C8

Motorized Stages	Automated Products for Microscopes	Manual Stages
Fx Stages	Thin Vθ Stages	Rock & Pinion Stages
High-Grade Stages	Spin Stages, Cross Roller Stages	Z-Like Stages, Z Stages
TR Stages	TR Stages	TR/Rotary Stages
XZ Stages	XZ Stages	XZ Stages

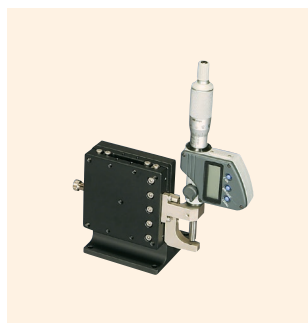
High-Grade Z Stages 70 x 70 (Stainless Steel)



↑ TLZ-7042-S1



↑ TLZ-7042-S6



↑ TLZ-7042-S7



↑ TLZ-7042-S8



↑ TLZ-7042-SR1



↑ TLZ-7042-SR6



↑ TLZ-7042-SR8

Features

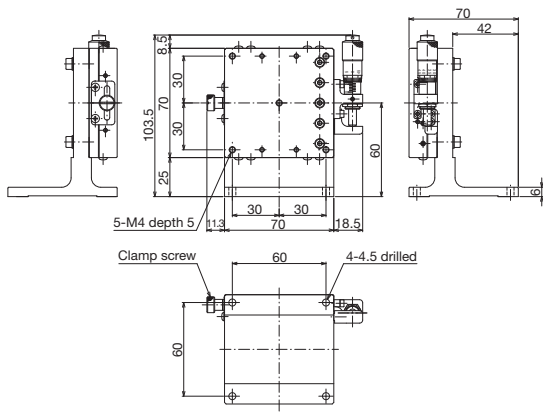
- A high-accuracy, high-rigidity stage using the HG-VCR method.
- Standard types and symmetrical types are available for a left-right symmetrical structure.
- Feed screws, standard micrometers, fine pitch micrometers, and digimatic micrometers are available for the feed method.
- Clamp method is with a plate clamp.
- Versatile use for precision positioning of cameras, sensors, workpieces, and more.

Model number (standard)	TLZ-7042-S1	TLZ-7042-S6	TLZ-7042-S7	TLZ-7042-S8
Model number (symmetrical)	TLZ-7042-SR1	TLZ-7042-SR6	-	TLZ-7042-SR8
Model name	High-Grade Z Stage 70 x 70			
Travel direction	Z-axis single direction			
Stage surface	70 mm x 70 mm			
Clamp method	Plate clamp			
Operating part mounting position	Side			
Feed method	CMH-13RM (Standard micrometer)	Feed screw P=0.5 mm	MHN4-25MX (Digimatic micrometer)	MHS4-6.5FP (Fine pitch micro)
Travel amount	±6.5 mm			±3 mm
Travel amount/1 knob rotation	0.5 mm			0.1 mm
Scale	Micrometer 0.01 mm	-	Digital display 0.001 mm	Micrometer 0.002 mm
Sensitivity	0.003 mm	0.01 mm	0.001 mm	
Travel guide	HG-VCR (V-groove and cross rollers)			
Travel accuracy	Straightness (horizontal/vertical): 0.001 mm Yaw 15 s, pitch 25 s			
Permissible moment	Yaw 1500 N-cm, pitch 1500 N-cm, roll 1500 N-cm			
Moment rigidity	Yaw rigidity 0.04 s/N-cm, pitch rigidity 0.04 s/N-cm, roll rigidity 0.02 s/N-cm			
Perpendicularity	0.065 mm			
Perpendicularity of motion	0.025 mm			
Load capacity	49 N (5 kgf)			
Mass	0.85 kg	1.05 kg		0.85 kg
Main materials/surface treatment	Stainless steel, aluminum alloy (Z bracket)/black oxide chrome, black satin anodized finish			



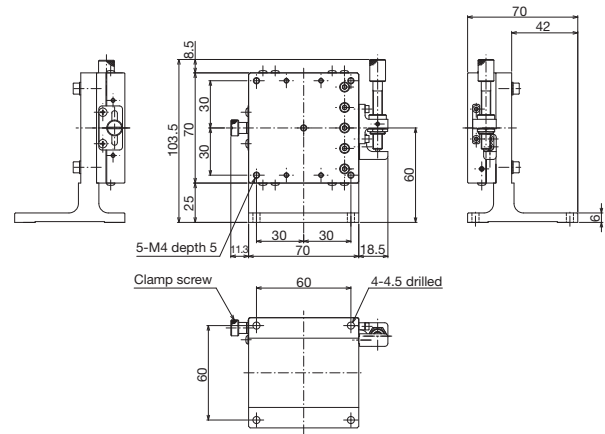
High-Grade Stages ◀ Manual Stages ◀

Product Appearance



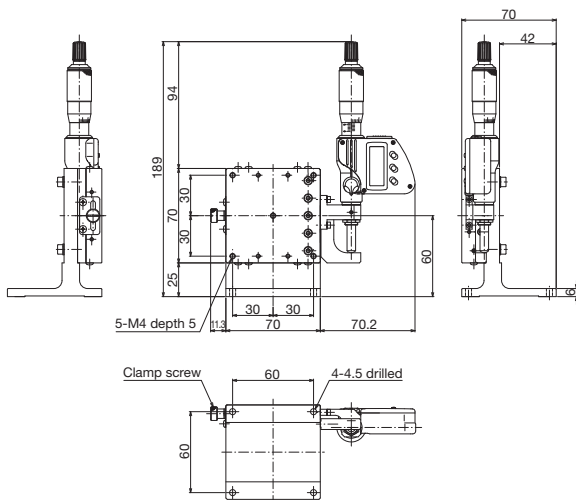
*TLZ-7042-SR1 is a symmetrical type with the same dimensions as TLZ-7042-S1.

↑ TLZ-7042-S1

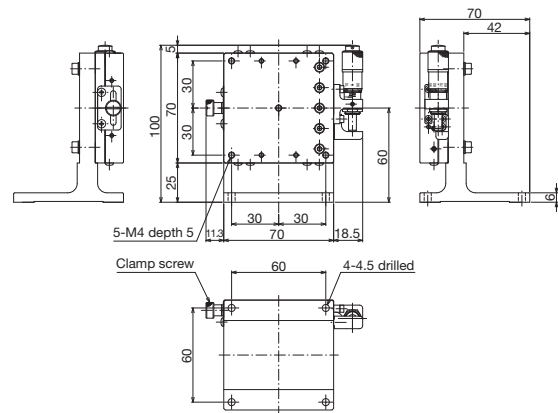


*TLZ-7042-SR6 is a symmetrical type with the same dimensions as TLZ-7042-S6.

↑ TLZ-7042-S6



↑ TLZ-7042-S7

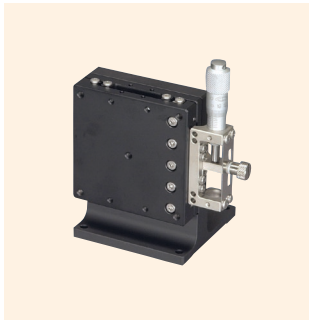


*TLZ-7042-SR8 is a symmetrical type with the same dimensions as TLZ-7042-S8.

↑ TLZ-7042-S8

Motorized Stages
Automated Products for Microscopes
Manual Stages
Fix Stages
Thin V8 Stages
Rack & Pinion Stages
High-Grade Stages
Spin Stages, Cross Roller Stages
Z-Like Stages, Z Stages
Rotary Stages
Tilt Stages
Tilt/Rotary Stages
XZ, YZ Stages
XZ Stages

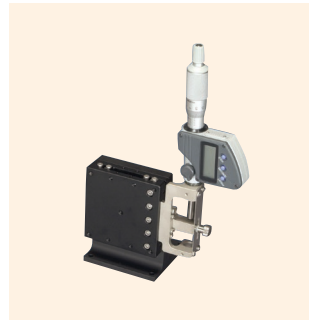
High-Grade Z Stages 70 x 70 (Stainless Steel)



↑ TLZ-7042-S1-2



↑ TLZ-7042-S6-2



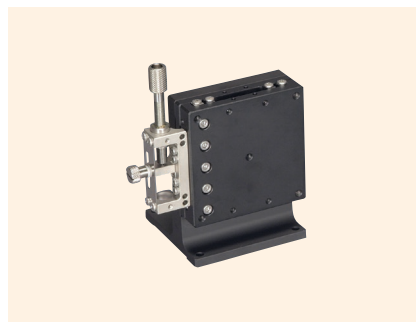
↑ TLZ-7042-S7-2



↑ TLZ-7042-S8-2



↑ TLZ-7042-SR1-2



↑ TLZ-7042-SR6-2



↑ TLZ-7042-SR8-2

Features

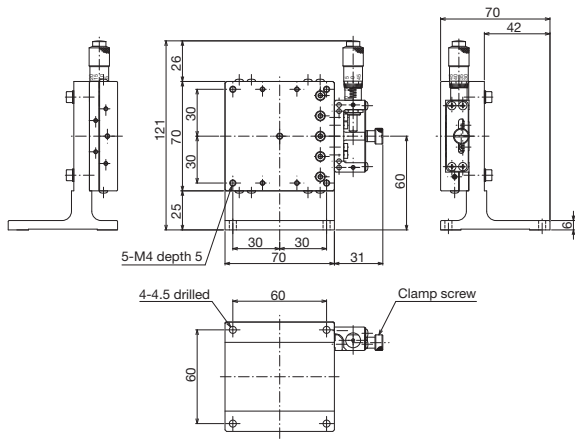
- A high-accuracy, high-rigidity stage using the HG-VCR method.
- Standard types and symmetrical types are available for a left-right symmetrical structure.
- Feed screws, standard micrometers, fine pitch micrometers, and digimatic micrometers are available for the feed method.
- Clamp method is an operator side plate clamp.
- Versatile use for precision positioning of cameras, sensors, workpieces, and more.

Model number (standard)	TLZ-7042-S1-2	TLZ-7042-S6-2	TLZ-7042-S7-2	TLZ-7042-S8-2
Model number (symmetrical)	TLZ-7042-SR1-2	TLZ-7042-SR6-2	-	TLZ-7042-SR8-2
Model name	High-Grade Z Stage 70 x 70			
Travel direction	Z-axis single direction			
Stage surface	70 mm x 70 mm			
Clamp method	Operation side plate clamp			
Operating part mounting position	Side			
Feed method	CMH-13RM (Standard micrometer)	Feed screw P=0.5 mm	MHN4-25MX (Digimatic micrometer)	MHS4-6.5FP (Fine pitch micro)
Travel amount	±6.5 mm			±3 mm
Travel amount/1 knob rotation	0.5 mm			0.1 mm
Scale	Micrometer 0.01 mm	-	Digital display 0.001 mm	Micrometer 0.002 mm
Sensitivity	0.003 mm	0.01 mm	0.001 mm	
Travel guide	HG-VCR (V-groove and cross rollers)			
Travel accuracy	Straightness (horizontal/vertical): 0.001 mm Yaw 15 s, pitch 25 s			
Permissible moment	Yaw 1500 N-cm, pitch 1500 N-cm, roll 1500 N-cm			
Moment rigidity	Yaw rigidity 0.04 s/N-cm, pitch rigidity 0.04 s/N-cm, roll rigidity 0.02 s/N-cm			
Perpendicularity	0.065 mm			
Perpendicularity of motion	0.025 mm			
Load capacity	49 N (5 kgf)			
Mass	0.85 kg	1.05 kg		0.85 kg
Main materials/surface treatment	Stainless steel, aluminum alloy (Z bracket)/black oxide chrome, black satin anodized finish			



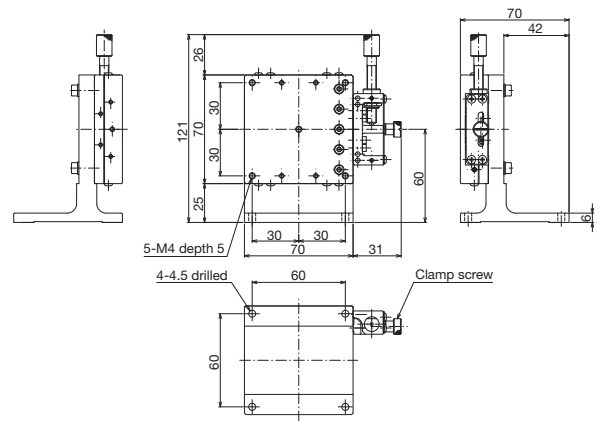
High-Grade Stages ◀ Manual Stages ◀

Product Appearance



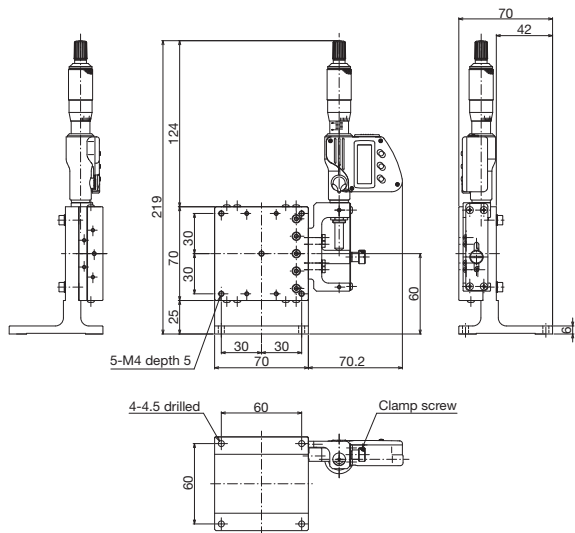
*TLZ-7042-SR1-2 is a symmetrical type with the same dimensions as TLZ-7042-S1-2.

↑ TLZ-7042-S1-2

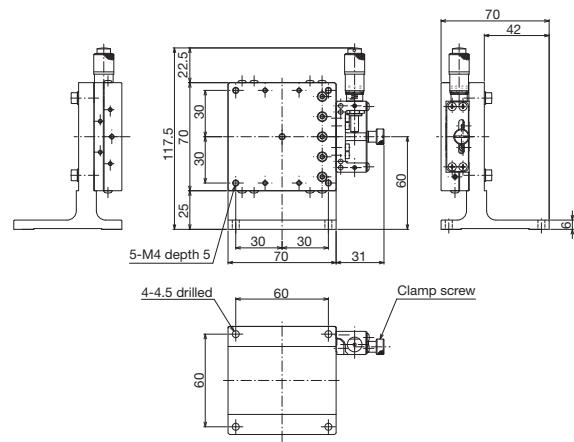


*TLZ-7042-SR6-2 is a symmetrical type with the same dimensions as TLZ-7042-S6-2.

↑ TLZ-7042-S6-2



↑ TLZ-7042-S7-2



*TLZ-7042-SR8-2 is a symmetrical type with the same dimensions as TLZ-7042-S8-2.

↑ TLZ-7042-S8-2

Motorized Stages	Automated Products for Microscopes	Manual Stages
Fx Stages	Thin Vθ Stages	Rack & Pinion Stages
High-Grade Stages	Thin Stages, Cross Roller Stages, Z-Like Stages, Z Stages	Thin Stages
		Thin/Rotary Stages
		XZ, YZ Stages
		XZ Stages