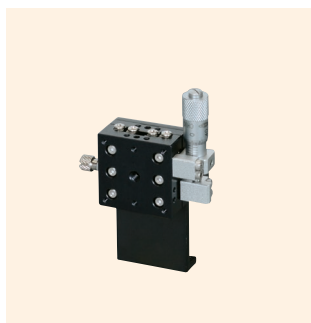


High-Grade Aluminum Z Stages 30 x 30



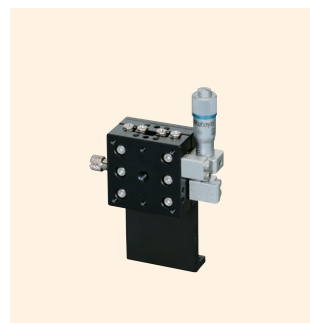
↑ TLZ-3047-C1



↑ TLZ-3047-S1



↑ TLZ-3047-C8



↑ TLZ-3047-S8



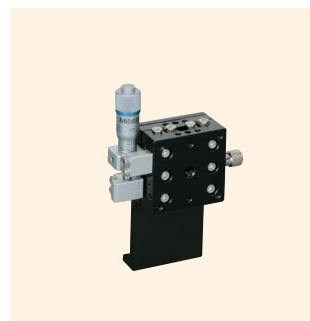
↑ TLZ-3047-CR1



↑ TLZ-3047-SR1



↑ TLZ-3047-CR8



↑ TLZ-3047-SR8

Features

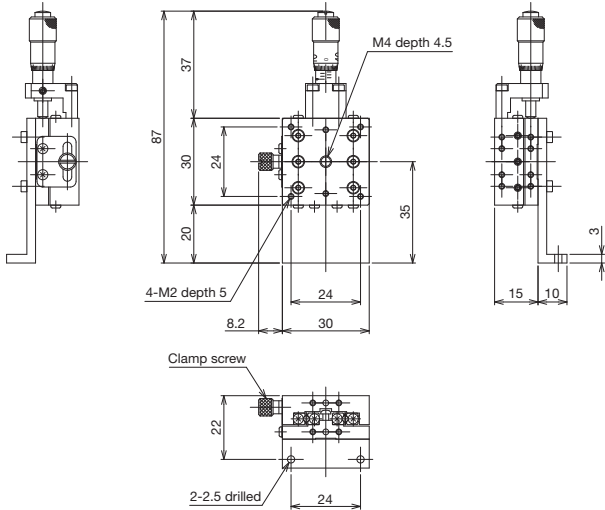
- Adopts an aluminum alloy as the main material and uses the HG-VCR method to achieve both high rigidity and light weight.
- Standard types and symmetrical types are available for a left-right symmetrical structure.
- Standard micrometers and fine pitch micrometers are available for the feed method.
- Versatile use for precision positioning of cameras, sensors, workpieces, and more.

Model number (Standard type)	TLZ-3047-C1	TLZ-3047-S1	TLZ-3047-C8	TLZ-3047-S8
Model number (Symmetrical type)	TLZ-3047-CR1	TLZ-3047-SR1	TLZ-3047-CR8	TLZ-3047-SR8
Model name	High-Grade Aluminum Z Stage 30 x 30			
Travel direction	Z-axis single direction			
Stage surface	30 mm x 30 mm			
Clamp method	Plate clamp			
Operating part mounting position	Center	Side	Center	Side
Feed method	CMH-6.5RA (standard micrometer)		MHT3-6.5FP (Fine pitch micro)	
Travel amount	±3 mm			
Travel amount/1 knob rotation	0.5 mm		0.1 mm	
Scale	Micrometer 0.01 mm		Micrometer 0.002 mm	
Sensitivity	0.003 mm		0.001 mm	
Travel guide	HG-VCR (V-groove and cross rollers)			
Travel accuracy	Straightness (horizontal/vertical) 0.002 mm Yawing 20 s, pitching 30 s			
Moment rigidity	Yaw rigidity 1.00 s/N-cm, pitch rigidity 1.00 s/N-cm, roll rigidity 1.00 s/N-cm			
Perpendicularity	0.080 mm			
Perpendicularity of motion	0.030 mm			
Load capacity	19.6 N (2 kgf)			
Mass	0.07 kg			
Main materials/surface treatment	Aluminum alloy/black satin anodized finish			



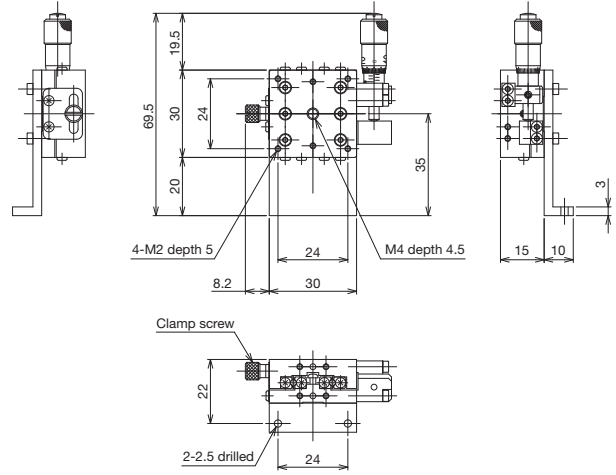
High-Grade Stages ◀ Manual Stages ◀

Product Appearance



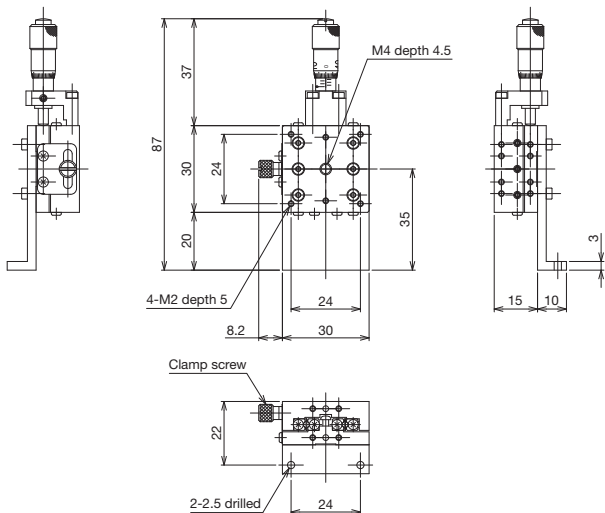
*TLZ-3047-CR1 is a symmetrical type with the same dimensions as TLZ-3047-C1.

↑ TLZ-3047-C1



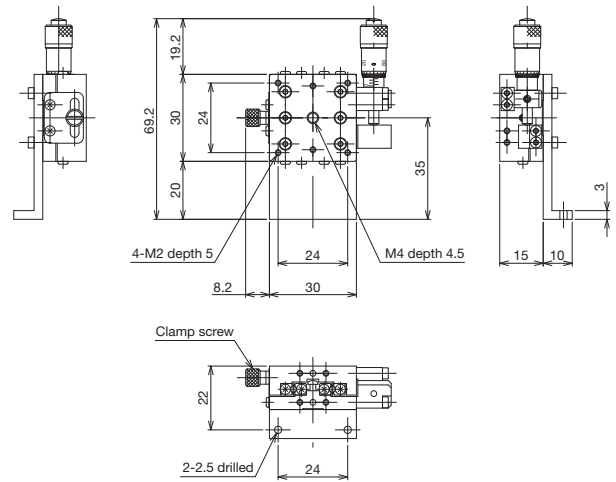
*TLZ-3047-SR1 is a symmetrical type with the same dimensions as TLZ-3047-S1.

↑ TLZ-3047-S1



*TLZ-3047-CR8 is a symmetrical type with the same dimensions as TLZ-3047-C8.

↑ TLZ-3047-C8

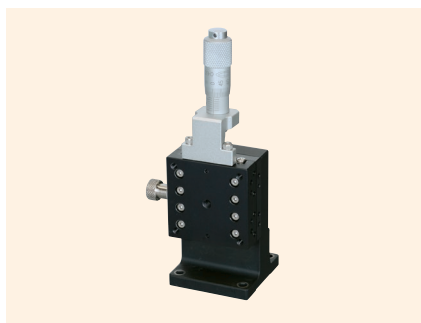


*TLZ-3047-SR8 is a symmetrical type with the same dimensions as TLZ-3047-S8.

↑ TLZ-3047-S8

Motorized Stages	Automated Products for Microscopes	Manual Stages	Fx Stages	Thin V8 Stages	Rack & Pinion Stages	High-Grade Stages	Spin Stages, Cross Roller Stages	Z-Like Stages, Z Stages	Rotary Stages	Tilt Stages	Tilt/Rotary Stages	XZ, YZ Stages	XZ Stages
------------------	------------------------------------	---------------	-----------	----------------	----------------------	-------------------	----------------------------------	-------------------------	---------------	-------------	--------------------	---------------	-----------

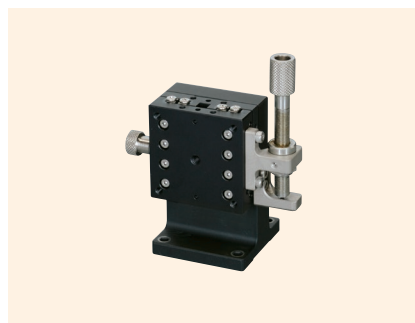
High-Grade Aluminum Z Stages 40 x 40



↑ TLZ-4047-C1



↑ TLZ-4047-S1



↑ TLZ-4047-S6



↑ TLZ-4047-CR1



↑ TLZ-4047-SR1



↑ TLZ-4047-S8

Features

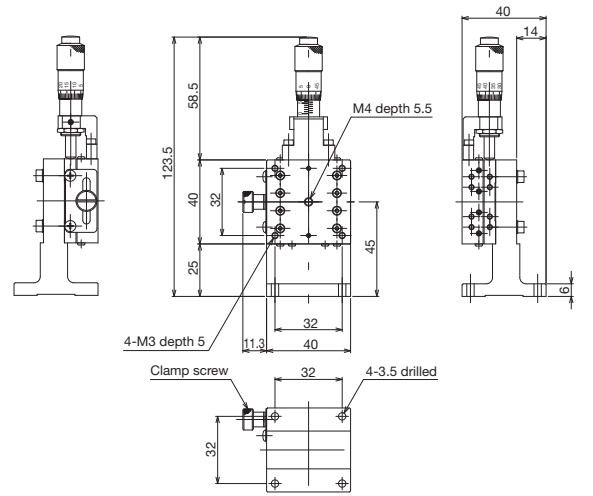
- Adopts an aluminum alloy as the main material and uses the HG-VCR method to achieve both high rigidity and light weight.
- Standard types and symmetrical types are available for a left-right symmetrical structure.
- Feed screws, standard micrometers, and fine pitch micrometers are available for the feed method.
- Versatile use for precision positioning of cameras, sensors, workpieces, and more.

Model number (Standard type)	TLZ-4047-C1	TLZ-4047-S1	TLZ-4047-C6	TLZ-4047-S6	TLZ-4047-C8	TLZ-4047-S8
Model number (Symmetrical type)	TLZ-4047-CR1	TLZ-4047-SR1	TLZ-4047-CR6	TLZ-4047-SR6	TLZ-4047-CR8	TLZ-4047-SR8
Model name	High-Grade Aluminum Z Stage 40 x 40					
Travel direction	Z-axis single direction					
Stage surface	40 mm x 40 mm					
Clamp method	Plate clamp					
Operating part mounting position	Center	Side	Center	Side	Center	Side
Feed method	CMH-13RM (standard micrometer)		Feed screw P=0.5 mm		MHS4-6.5FP (Fine pitch micro)	
Travel amount	±6.5 mm				±3 mm	
Travel amount/1 knob rotation	0.5 mm				0.1 mm	
Scale	Micrometer 0.01 mm		-		Micrometer 0.002 mm	
Sensitivity	0.003 mm		0.01 mm		0.001 mm	
Travel guide	HG-VCR (V-groove and cross rollers)					
Travel accuracy	Straightness (horizontal/vertical) 0.002 mm Yawing 20 s, pitching 30 s					
Moment rigidity	Yaw rigidity 0.20 s/N-cm, pitch rigidity 0.50 s/N-cm, roll rigidity 0.50 s/N-cm					
Perpendicularity	0.080 mm					
Perpendicularity of motion	0.030 mm					
Load capacity	19.6 N (2 kgf)					
Mass	0.23 kg					
Main materials/surface treatment	Aluminum alloy/black satin anodized finish					



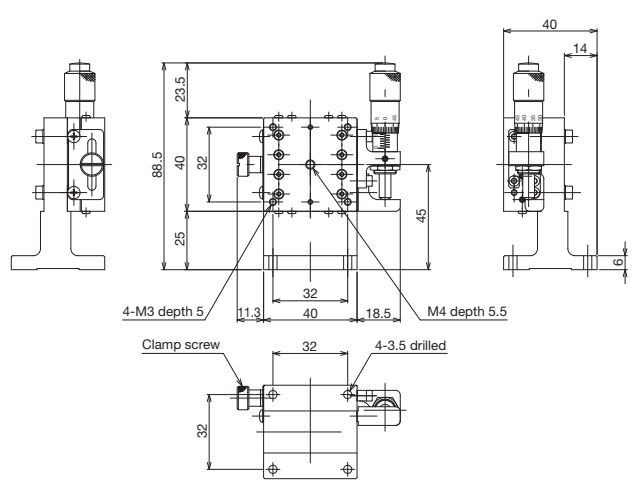
High-Grade Stages ◀ Manual Stages ◀

Product Appearance



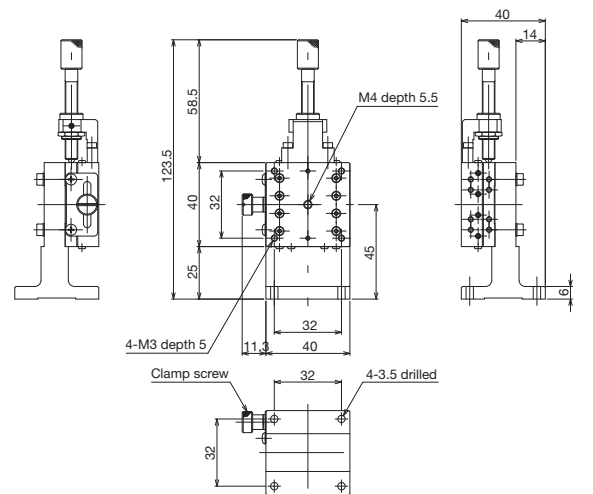
*TLZ-4047-CR1 is a symmetrical type with the same dimensions as TLZ-4047-C1.

↑ TLZ-4047-C1



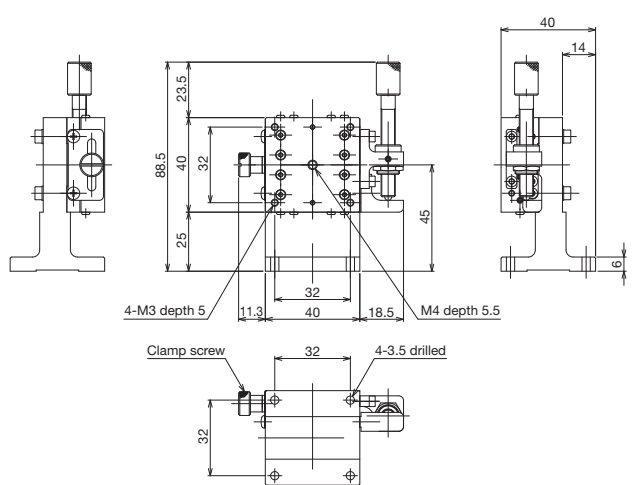
*TLZ-4047-SR1 is a symmetrical type with the same dimensions as TLZ-4047-S1.

↑ TLZ-4047-S1



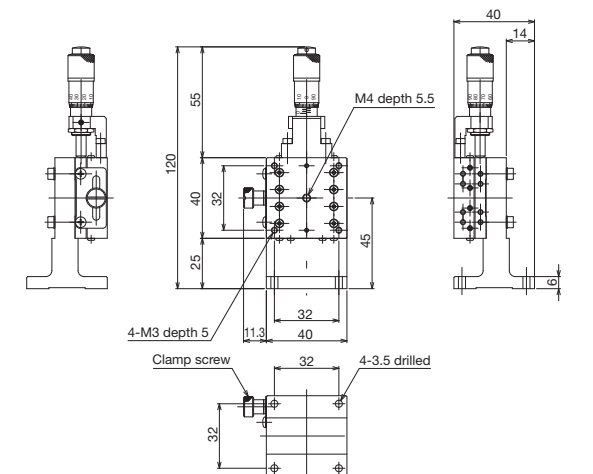
*TLZ-4047-CR6 is a symmetrical type with the same dimensions as TLZ-4047-C6.

↑ TLZ-4047-C6



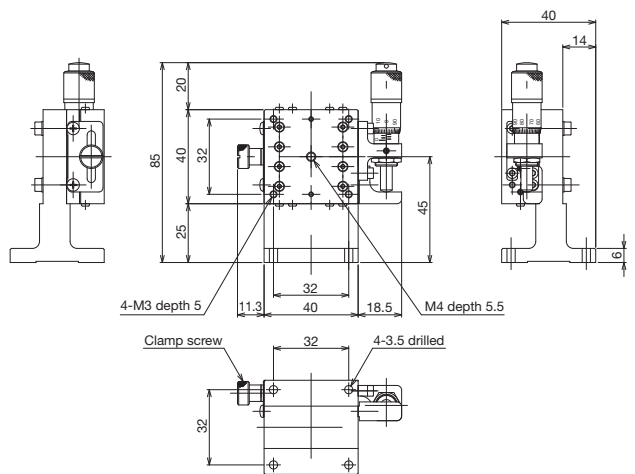
*TLZ-4047-SR6 is a symmetrical type with the same dimensions as TLZ-4047-S6.

↑ TLZ-4047-S6



*TLZ-4047-CR8 is a symmetrical type with the same dimensions as TLZ-4047-C8.

↑ TLZ-4047-C8



*TLZ-4047-SR8 is a symmetrical type with the same dimensions as TLZ-4047-S8.

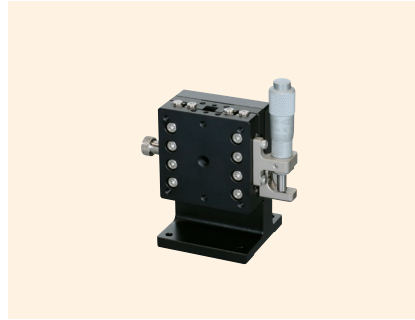
↑ TLZ-4047-S8

Motorized Stages
Automated Products for Microscopes
Manual Stages
Fix Stages
Thin VB Stages
Rack & Pinion Stages
High-Grade Stages
Spin Stages, Cross Roller Stages
Z-Like Stages, Z Stages
Rotary Stages
Tilt Stages
Tilt/Rotary Stages
XZ, YZ Stages
XYZ Stages

High-Grade Aluminum Z Stages 50 x 50



↑ TLZ-5047-C1



↑ TLZ-5047-S1



↑ TLZ-5047-S6



↑ TLZ-5047-CR1



↑ TLZ-5047-SR1



↑ TLZ-5047-S8

Features

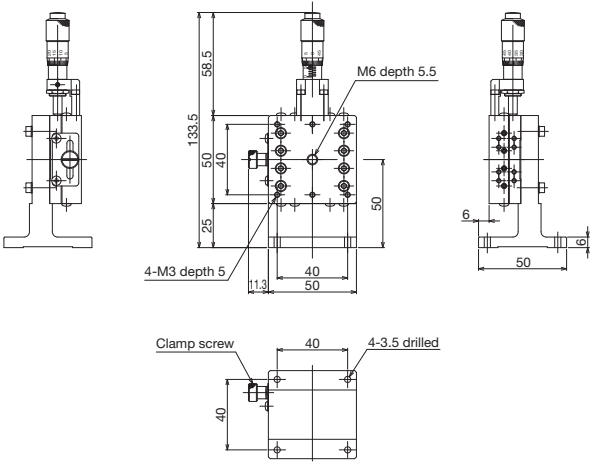
- Adopts an aluminum alloy as the main material and uses the HG-VCR method to achieve both high rigidity and light weight.
- Standard types and symmetrical types are available for a left-right symmetrical structure.
- Feed screws, standard micrometers, and fine pitch micrometers are available for the feed method.
- Versatile use for precision positioning of cameras, sensors, workpieces, and more.

Model number (Standard type)	TLZ-5047-C1	TLZ-5047-S1	TLZ-5047-C6	TLZ-5047-S6	TLZ-5047-C8	TLZ-5047-S8
Model number (Symmetrical type)	TLZ-5047-CR1	TLZ-5047-SR1	TLZ-5047-CR6	TLZ-5047-SR6	TLZ-5047-CR8	TLZ-5047-SR8
Model name	High-Grade Aluminum Z Stage 50 x 50					
Travel direction	Z-axis single direction					
Stage surface	50 mm x 50 mm					
Clamp method	Plate clamp					
Operating part mounting position	Center	Side	Center	Side	Center	Side
Feed method	CMH-13RM (standard micrometer)		Feed screw P=0.5 mm		MHS4-6.5FP (Fine pitch micro)	
Travel amount	±6.5 mm				±3 mm	
Travel amount/1 knob rotation	0.5 mm				0.1 mm	
Scale	Micrometer 0.01 mm		-		Micrometer 0.002 mm	
Sensitivity	0.003 mm		0.01 mm		0.001 mm	
Travel guide	HG-VCR (V-groove and cross rollers)					
Travel accuracy	Straightness (horizontal/vertical) 0.002 mm Yawing 20 s, pitching 30 s					
Moment rigidity	Yaw rigidity 0.10 s/N-cm, pitch rigidity 0.30 s/N-cm, roll rigidity 0.30 s/N-cm					
Perpendicularity	0.080 mm					
Perpendicularity of motion	0.030 mm					
Load capacity	19.6 N (2 kgf)					
Mass	0.34 kg					
Main materials/surface treatment	Aluminum alloy/black satin anodized finish					



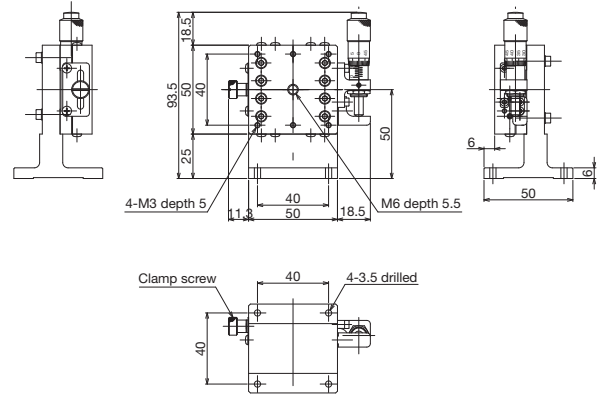
High-Grade Stages ◀ Manual Stages ◀

Product Appearance



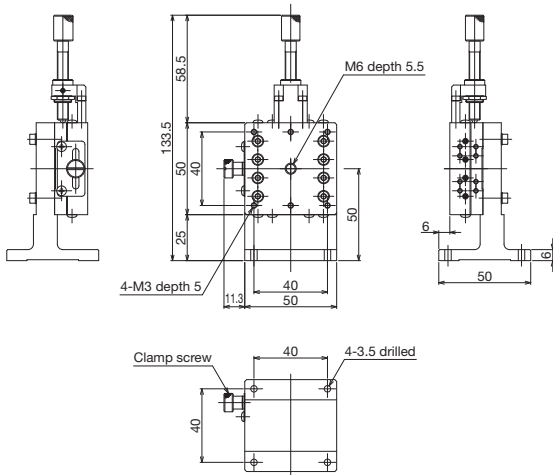
*TLZ-5047-CR1 is a symmetrical type with the same dimensions as TLZ-5047-C1.

↑ TLZ-5047-C1



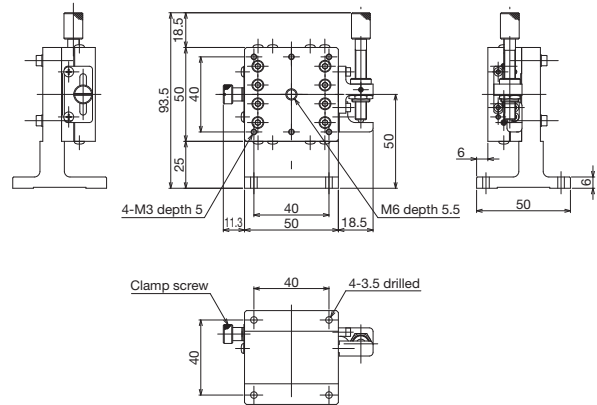
*TLZ-5047-SR1 is a symmetrical type with the same dimensions as TLZ-5047-S1.

↑ TLZ-5047-S1



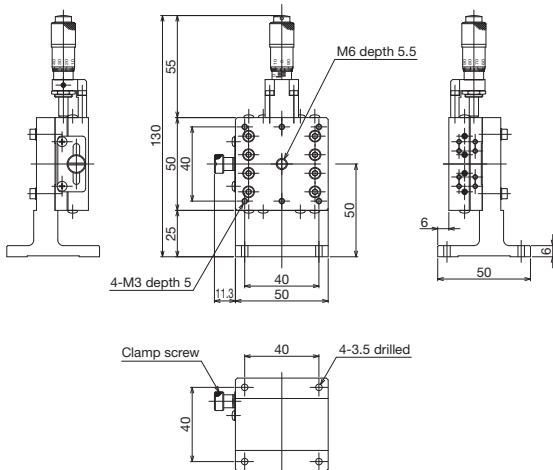
*TLZ-5047-CR6 is a symmetrical type with the same dimensions as TLZ-5047-C6.

↑ TLZ-5047-C6



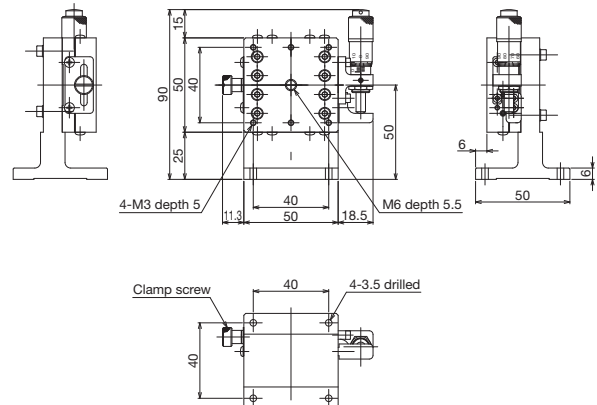
*TLZ-5047-SR6 is a symmetrical type with the same dimensions as TLZ-5047-S6.

↑ TLZ-5047-S6



*TLZ-5047-CR8 is a symmetrical type with the same dimensions as TLZ-5047-C8.

↑ TLZ-5047-C8



*TLZ-5047-SR8 is a symmetrical type with the same dimensions as TLZ-5047-S8.

↑ TLZ-5047-S8

Motorized Stages
Automated Products for Microscopes
Manual Stages
Fix Stages
Thin VB Stages
Rack & Pinion Stages
High-Grade Stages
Spin Stages, Cross Roller Stages
Z-Like Stages
Rotary Stages
Tilt Stages
Tilt/Rotary Stages
XZ, YZ Stages
XYZ Stages

High-Grade Aluminum Z Stages 60 x 60



↑ TLZ-6047-C1



↑ TLZ-6047-S1



↑ TLZ-6047-S6



↑ TLZ-6047-CR1



↑ TLZ-6047-SR1



↑ TLZ-6047-S8

Features

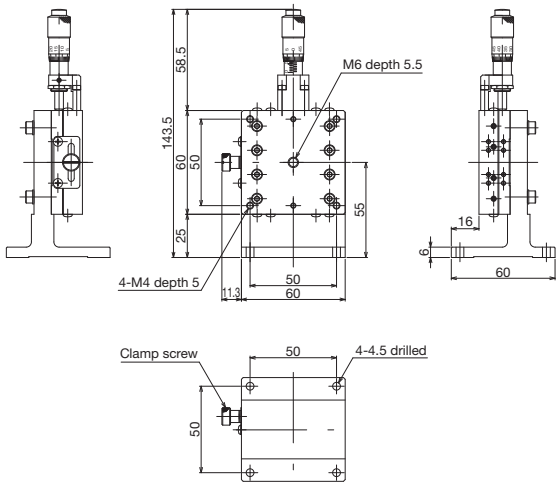
- Adopts an aluminum alloy as the main material and uses the HG-VCR method to achieve both high rigidity and light weight.
- Standard types and symmetrical types are available for a left-right symmetrical structure.
- Feed screws, standard micrometers, and fine pitch micrometers are available for the feed method.
- Versatile use for precision positioning of cameras, sensors, workpieces, and more.

Model number (Standard type)	TLZ-6047-C1	TLZ-6047-S1	TLZ-6047-C6	TLZ-6047-S6	TLZ-6047-C8	TLZ-6047-S8
Model number (Symmetrical type)	TLZ-6047-CR1	TLZ-6047-SR1	TLZ-6047-CR6	TLZ-6047-SR6	TLZ-6047-CR8	TLZ-6047-SR8
Model name	High-Grade Aluminum Z Stage 60 x 60					
Travel direction	Z-axis single direction					
Stage surface	60 mm x 60 mm					
Clamp method	Plate clamp					
Operating part mounting position	Center	Side	Center	Side	Center	Side
Feed method	CMH-13RM (standard micrometer)		Feed screw P=0.5 mm		MHS4-6.5FP (Fine pitch micro)	
Travel amount	±6.5 mm				±3 mm	
Travel amount/1 knob rotation	0.5 mm				0.1 mm	
Scale	Micrometer 0.01 mm		-		Micrometer 0.002 mm	
Sensitivity	0.003 mm		0.01 mm		0.001 mm	
Travel guide	HG-VCR (V-groove and cross rollers)					
Travel accuracy	Straightness (horizontal/vertical) 0.002 mm Yawing 20 s, pitching 30 s					
Moment rigidity	Yaw rigidity 0.05 s/N-cm, pitch rigidity 0.20 s/N-cm, roll rigidity 0.20 s/N-cm					
Perpendicularity	0.080 mm					
Perpendicularity of motion	0.030 mm					
Load capacity	19.6 N (2 kgf)					
Mass	0.44 kg					
Main materials/surface treatment	Aluminum alloy/black satin anodized finish					



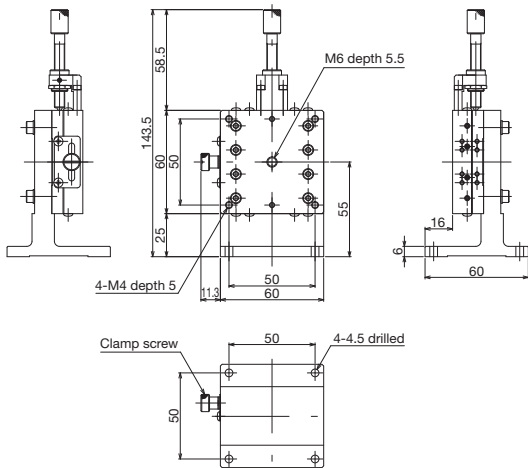
High-Grade Stages ◀ Manual Stages ◀

Product Appearance



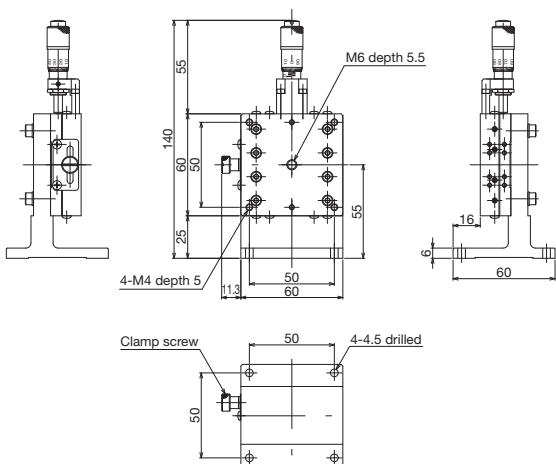
*TLZ-6047-CR1 is a symmetrical type with the same dimensions as TLZ-6047-C1.

↑ TLZ-6047-C1



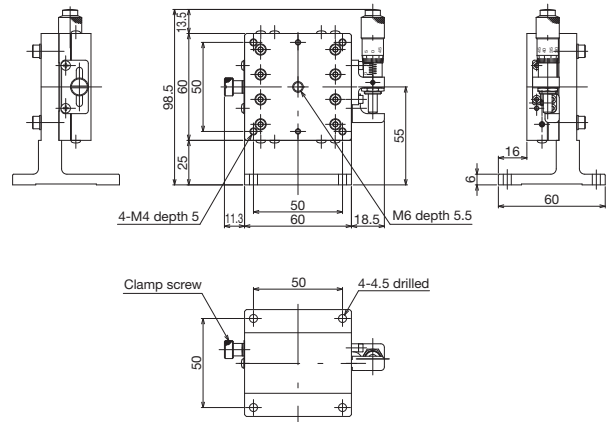
*TLZ-6047-CR6 is a symmetrical type with the same dimensions as TLZ-6047-C6.

↑ TLZ-6047-C6



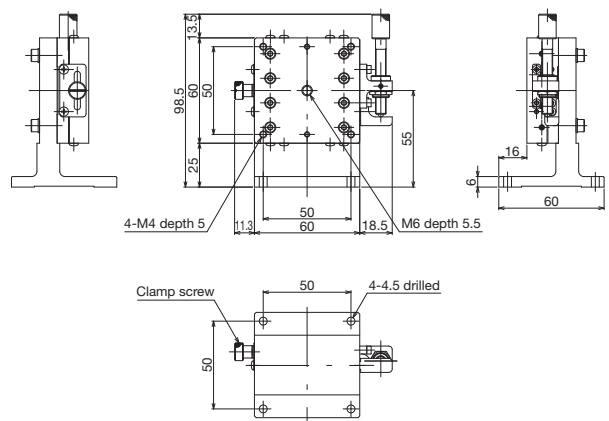
*TLZ-6047-CR8 is a symmetrical type with the same dimensions as TLZ-6047-C8.

↑ TLZ-6047-C8



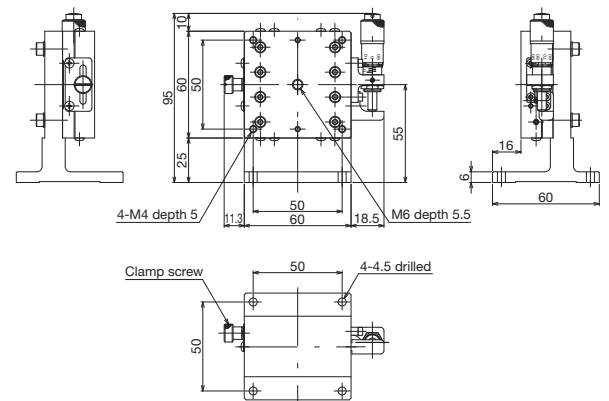
*TLZ-6047-SR1 is a symmetrical type with the same dimensions as TLZ-6047-S1.

↑ TLZ-6047-S1



*TLZ-6047-SR6 is a symmetrical type with the same dimensions as TLZ-6047-S6.

↑ TLZ-6047-S6



*TLZ-6047-SR8 is a symmetrical type with the same dimensions as TLZ-6047-S8.

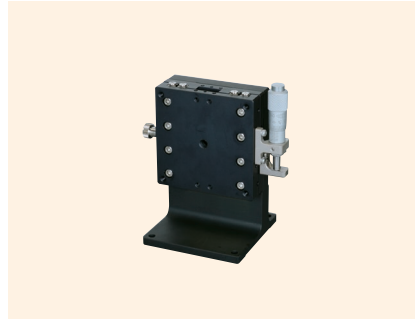
↑ TLZ-6047-S8

Motorized Stages
Automated Products for Microscopes
Manual Stages
Fix Stages
Thin VB Stages
Rack & Pinion Stages
High-Grade Stages
Spin Stages, Cross Roller Stages
Z-Like Stages
Rotary Stages
Tilt Stages
Tilt/Rotary Stages
XZ, YZ Stages
XYZ Stages

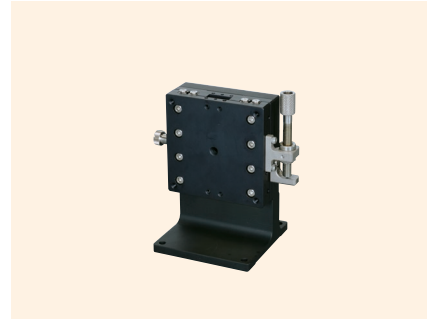
High-Grade Aluminum Z Stages 70 x 70



↑ TLZ-7047-C1



↑ TLZ-7047-S1



↑ TLZ-7047-S6



↑ TLZ-7047-CR1



↑ TLZ-7047-SR1



↑ TLZ-7047-S8

Features

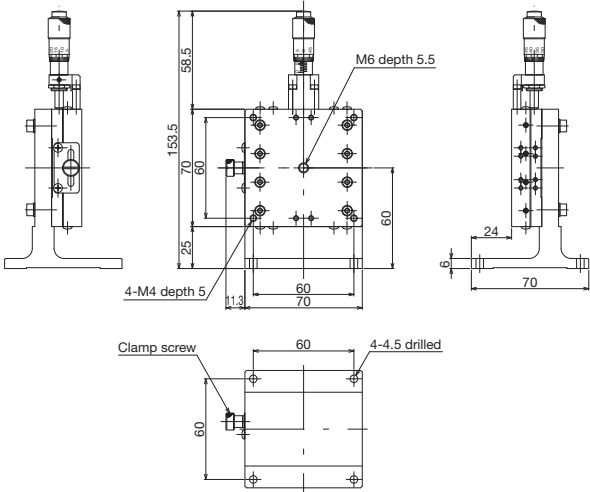
- Adopts an aluminum alloy as the main material and uses the HG-VCR method to achieve both high rigidity and light weight.
- Standard types and symmetrical types are available for a left-right symmetrical structure.
- Feed screws, standard micrometers, and fine pitch micrometers are available for the feed method.
- Versatile use for precision positioning of cameras, sensors, workpieces, and more.

Model number (Standard type)	TLZ-7047-C1	TLZ-7047-S1	TLZ-7047-C6	TLZ-7047-S6	TLZ-7047-C8	TLZ-7047-S8
Model number (Symmetrical type)	TLZ-7047-CR1	TLZ-7047-SR1	TLZ-7047-CR6	TLZ-7047-SR6	TLZ-7047-CR8	TLZ-7047-SR8
Model name	High-Grade Aluminum Z Stage 70 x 70					
Travel direction	Z-axis single direction					
Stage surface	70 mm x 70 mm					
Clamp method	Plate clamp					
Operating part mounting position	Center	Side	Center	Side	Center	Side
Feed method	CMH-13RM (standard micrometer)		Feed screw P=0.5 mm		MHS4-6.5FP (Fine pitch micro)	
Travel amount	±6.5 mm				±3 mm	
Travel amount/1 knob rotation	0.5 mm				0.1 mm	
Scale	Micrometer 0.01 mm		-		Micrometer 0.002 mm	
Sensitivity	0.003 mm		0.01 mm		0.001 mm	
Travel guide	HG-VCR (V-groove and cross rollers)					
Travel accuracy	Straightness (horizontal/vertical) 0.002 mm Yawing 20 s, pitching 30 s					
Moment rigidity	Yaw rigidity 0.03 s/N-cm, pitch rigidity 0.10 s/N-cm, roll rigidity 0.10 s/N-cm					
Perpendicularity	0.080 mm					
Perpendicularity of motion	0.030 mm					
Load capacity	19.6 N (2 kgf)					
Mass	0.55 kg					
Main materials/surface treatment	Aluminum alloy/black satin anodized finish					



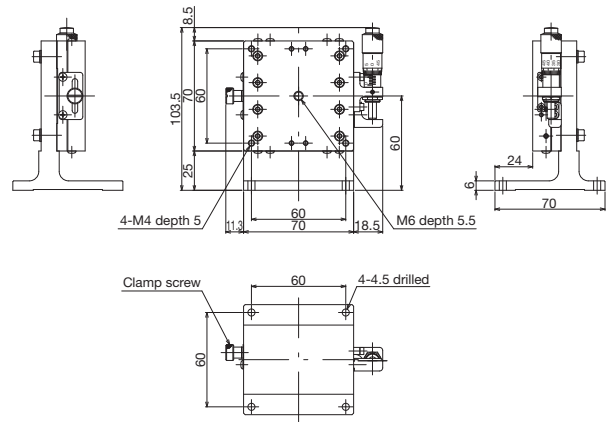
High-Grade Stages ◀ Manual Stages ◀

Product Appearance



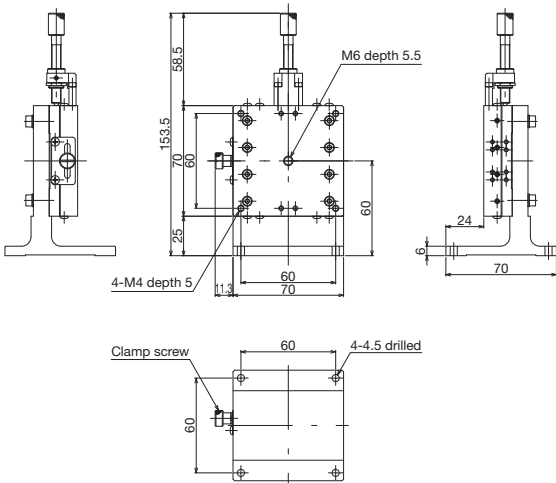
*TLZ-7047-CR1 is a symmetrical type with the same dimensions as TLZ-7047-C1.

↑ TLZ-7047-C1



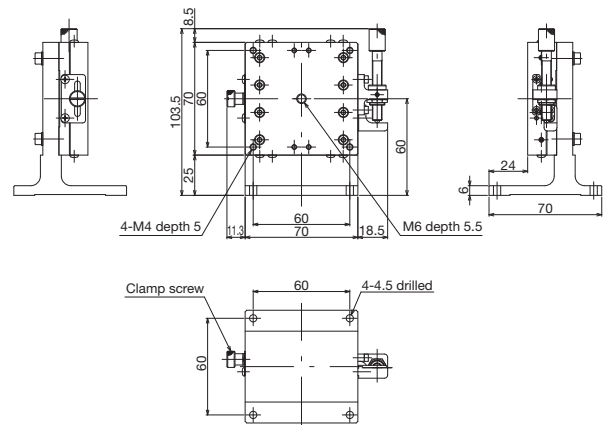
*TLZ-7047-SR1 is a symmetrical type with the same dimensions as TLZ-7047-S1.

↑ TLZ-7047-S1



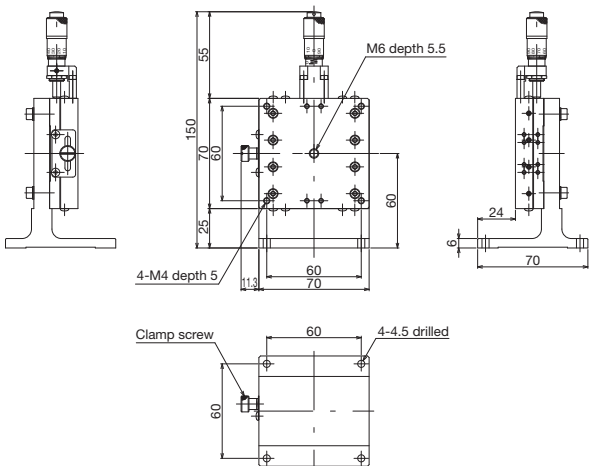
*TLZ-7047-CR6 is a symmetrical type with the same dimensions as TLZ-7047-C6.

↑ TLZ-7047-C6



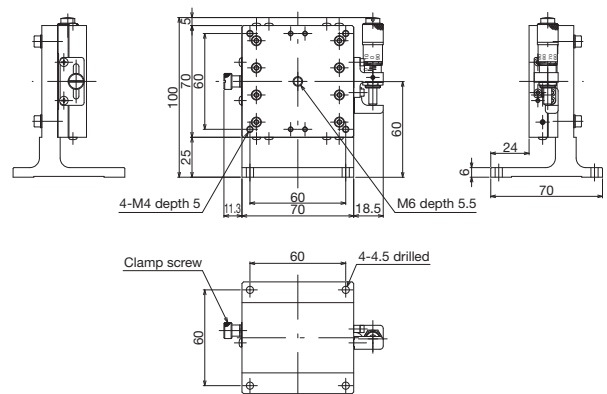
*TLZ-7047-SR6 is a symmetrical type with the same dimensions as TLZ-7047-S6.

↑ TLZ-7047-S6



*TLZ-7047-CR8 is a symmetrical type with the same dimensions as TLZ-7047-C8.

↑ TLZ-7047-C8



*TLZ-7047-SR8 is a symmetrical type with the same dimensions as TLZ-7047-S8.

↑ TLZ-7047-S8

Motorized Stages
Automated Products for Microscopes
Manual Stages
Fix Stages
Thin VIB Stages
Rack & Pinion Stages
High-Grade Stages
Spin Stages, Cross Roller Stages
Z-Like Stages
Rotary Stages
Tilt Stages
Tilt/Rotary Stages
XZ, YZ Stages
XYZ Stages