

## High-Grade Rotary Stage $\phi$ 40, $\phi$ 50, $\phi$ 60, $\phi$ 70



↑ TRS-4012



↑ TRS-6012



↑ TRS-6042



↑ TRS-7012

### Features

- Rotary stages capable of coarse and fine feed movement. Standard types and symmetrical types are available for a left-right symmetrical structure.
- A vernier scale is present on both the left and right sides, enabling the position to be read from either side.
- The table surface can be grabbed and rotated with coarse movement 360 degrees. Secure the clamp screw after coarse movement and move with the micrometer head for fine movement.
- The table can also be secured in the desired position by securing both the fine and coarse movement clamps.
- Versatile use for precision positioning of cameras, sensors, workpieces, and more.

Model number (Standard type)	TRS-4012	TRS-5012	TRS-6012	TRS-7012
Model number (Symmetrical type)	TRS-4012-R	TRS-5012-R	TRS-6012-R	TRS-7012-R
Model name	High-Grade Fine Movement Rotary Stage $\phi$ 40	High-Grade Fine Movement Rotary Stage $\phi$ 50	High-Grade Fine Movement Rotary Stage $\phi$ 60	High-Grade Fine Movement Rotary Stage $\phi$ 70
Travel direction	Rotation direction			
Stage surface	$\phi$ 39 mm	$\phi$ 50 mm	$\phi$ 60 mm	$\phi$ 70 mm
Clamp method	Compound clamp			
Operating part mounting position	Standard position *-R is the reversed micrometer position			
Fine feed method	CMH-6.5R (standard micrometer)			
Travel amount	Coarse movement 360°, fine movement $\pm 5^\circ$			
Travel amount/1 knob rotation	Approx. 0.99°	Approx. 0.92°	Approx. 0.8°	Approx. 0.7°
Scale	Vernier reading 10'/micrometer 0.01 mm (1 scale marking is approx. 0.020°)	Vernier reading 10'/micrometer 0.01 mm (1 scale marking is approx. 0.018°)	Vernier reading 10'/micrometer 0.01 mm (1 scale marking is approx. 0.016°)	Vernier reading 10'/micrometer 0.01 mm (1 scale marking is approx. 0.014°)
Travel guide	Sliding			
Permissible moment	30 N-cm	40 N-cm	50 N-cm	60 N-cm
Moment rigidity	1.8 s/N-cm	1.6 s/N-cm	1.4 s/N-cm	1.4 s/N-cm
Parallelism	0.02 mm	0.03 mm	0.02 mm	0.03 mm
Circularity	0.05 mm		0.04 mm	
Surface runout	0.02 mm			
Load capacity	14.7 N (1.5 kgf)	19.6 N (2 kgf)	29.4 N (3 kgf)	29.4 N (3 kgf)
Mass	0.07 kg	0.12 kg	0.17 kg	0.21 kg
Main materials/surface treatment	Aluminum alloy/black satin anodized finish			

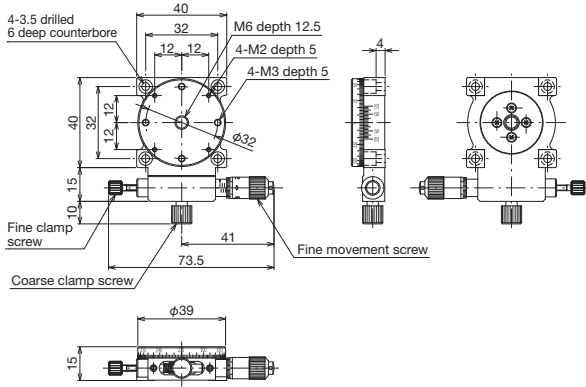
Model number (Standard type)	TRS-6042	TRS-7042
Model number (Symmetrical type)	TRS-6042-R	TRS-7042-R
Model name	High-Grade Fine Movement Rotary Stage $\phi$ 60 (Cross Roller Bearing)	High-Grade Fine Movement Rotary Stage $\phi$ 70 (Cross Roller Bearing)
Travel direction	Rotation direction	
Stage surface	$\phi$ 60 mm	$\phi$ 70 mm
Clamp method	Compound clamp	
Operating part mounting position	Standard position *-R is the reversed micrometer position	
Fine feed method	CMH-6.5R (standard micrometer)	CEH-13R (standard micrometer)
Travel amount	Coarse movement 360°, fine movement $\pm 4^\circ$	
Travel amount/1 knob rotation	Approx. 0.8°	Approx. 0.61°
Scale	Vernier reading 10'/micrometer 0.01 mm (1 scale marking is approx. 0.016°)	Vernier reading 10'/micrometer 0.01 mm (1 scale marking is approx. 0.012°)
Sensitivity	17"	15"
Travel guide	V-groove and cross rollers	
Permissible moment	150 N-cm	
Moment rigidity	0.8 s/N-cm	
Parallelism	0.03 mm	0.04 mm
Circularity	0.01 mm	
Surface runout	0.015 mm	
Load capacity	98 N (10 kgf)	
Mass	0.22 kg	0.35 kg
Main materials/surface treatment	Aluminum alloy/black satin anodized finish	



High-Grade Stages ◀ Manual Stages ◀

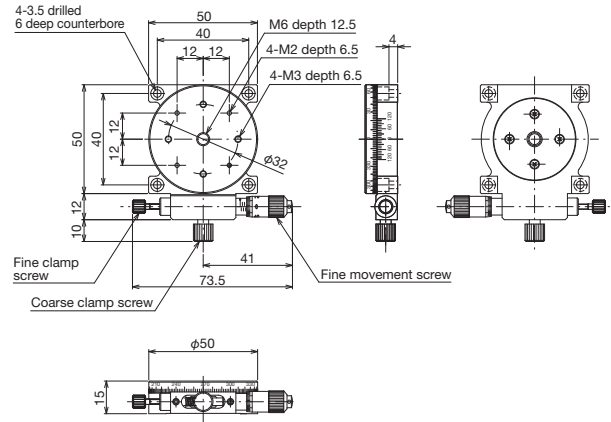
Product Appearance

Motorized Stages
Automated Products for Microscopes
<b>Manual Stages</b>
Fix Stages
Thin VB Stages
Rack & Pinion Stages
High-Grade Stages
Swim Stages, Cross Roller Stages
Z-Like Stages
Rotary Stages
Tilt Stages
Tilt/Rotary Stages
XZ, YZ Stages
XYZ Stages



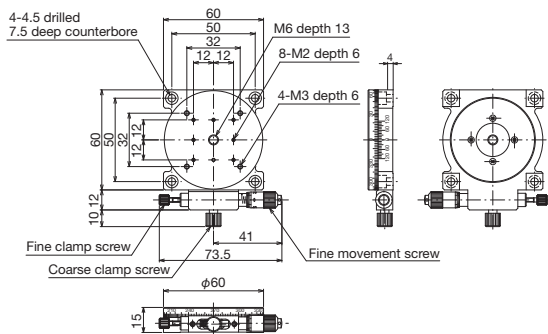
\*TRS-4012-R is a symmetrical type with the same dimensions as TRS-4012.

↑ TRS-4012



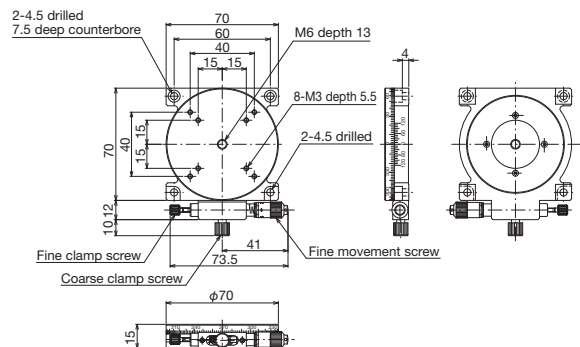
\*TRS-5012-R is a symmetrical type with the same dimensions as TRS-5012.

↑ TRS-5012



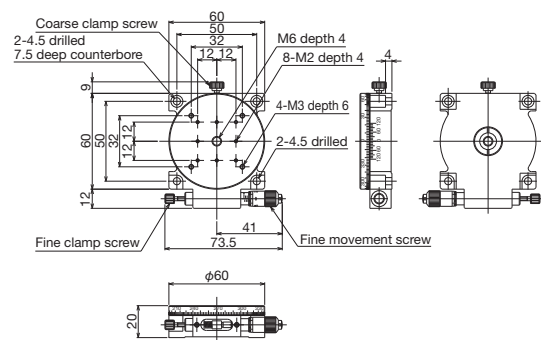
\*TRS-6012-R is a symmetrical type with the same dimensions as TRS-6012.

↑ TRS-6012



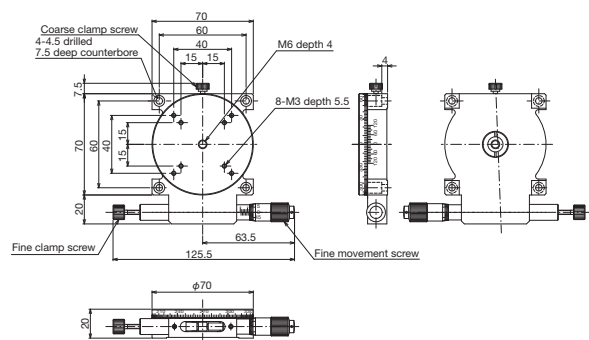
\*TRS-7012-R is a symmetrical type with the same dimensions as TRS-7012.

↑ TRS-7012



\*TRS-6042-R is a symmetrical type with the same dimensions as TRS-6042.

↑ TRS-6042



\*TRS-7042-R is a symmetrical type with the same dimensions as TRS-7042.

↑ TRS-7042