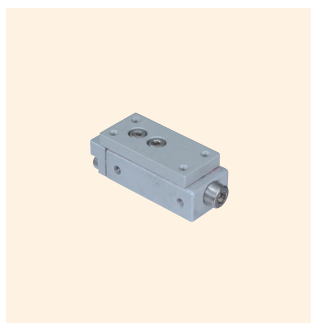


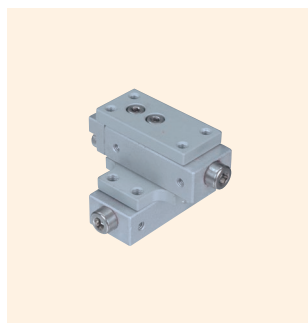
Fix Stages



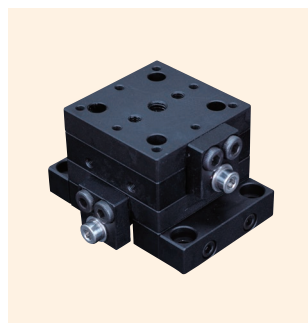
↑ TLS-1251FX



↑ TLS-4051FX



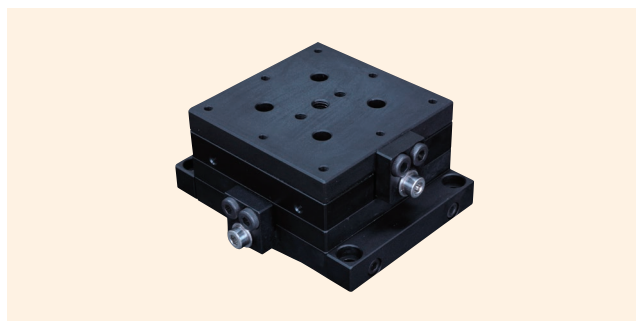
↑ TLD-1251FX



↑ TLD-4051FX



↑ TLS-6051FX



↑ TLD-6051FX

Features

- Clamp-free stages that do not move after position adjustment.
- The special mechanism suppresses backlash.
- A hex wrench is used for position adjustment.* The hex wrench is not included. This should be prepared by the customer.
- Optimal for a workpiece such as a camera or sensor that must keep the position fixed, rather than one that requires constant positioning.
- In addition to horizontal installation, vertical or inverted installation is also possible.

*There are limitations on the load capacity depending on the installation direction. Contact us for details.

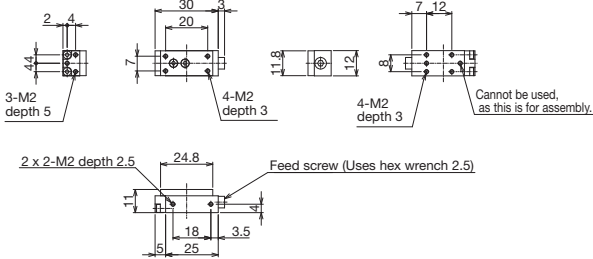
Model number	TLS-1251FX	TLS-4051FX	TLS-6051FX	TLD-1251FX	TLD-4051FX	TLD-6051FX
Model name	X Fix Stage			XY Fix Stage		
Travel direction	X-axis single direction			XY-axis double direction		
Stage surface	11.8 mm x 24.8 mm	40 mm x 40 mm	60 mm x 60 mm	11.8 mm x 24.8 mm	40 mm x 40 mm	60 mm x 60 mm
Clamp method	Clamp-free					
Feed method	Feed screw P=0.5 mm	Feed screw P=0.7 mm		Feed screw P=0.5 mm	Feed screw P=0.7 mm	
Travel amount	±1.5 mm	±3.5 mm	±5.5 mm	±1.5 mm	±3.5 mm	±5.5 mm
Travel amount/1 knob rotation	Approx. 0.5 mm	Approx. 0.7 mm		Approx. 0.5 mm	Approx. 0.7 mm	
Travel guide	Sliding					
Parallelism	0.05 mm			0.075 mm		
Load capacity	4.9 N (0.5 kgf)	39.2 N (4 kgf)	58.8 N (6 kgf)	4.9 N (0.5 kgf)	39.2 N (4 kgf)	58.8 N (6 kgf)
Mass	0.01 kg	0.09 kg	0.19 kg	0.02 kg	0.19 kg	0.41 kg
Main materials/surface treatment	Aluminum alloy/black satin anodized finish					



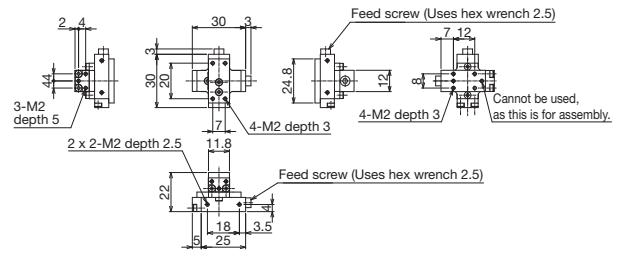
Fix Stages ◀ Manual Stages ◀

Product Appearance

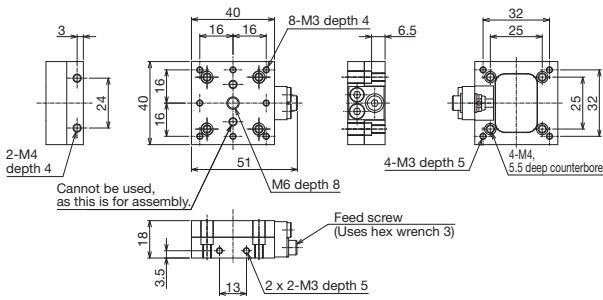
Motorized Stages
Automated Products for Microscopes
Manual Stages
Fix Stages
Thin V8 Stages
Rack & Pinion Stages
High-Grade Stages
Swim Stages, Z-Lift Stages, Z Stages
Rotary Stages
Tilt Stages
Tilt/Rotary Stages
XZ, YZ Stages
XYZ Stages



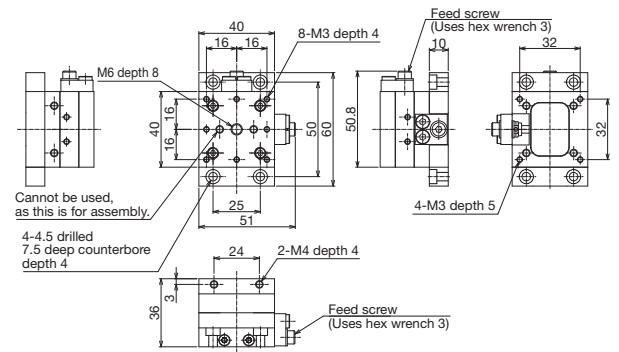
↑ TLS-1251FX



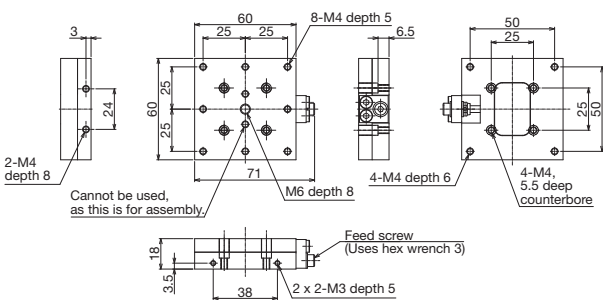
↑ TLD-1251FX



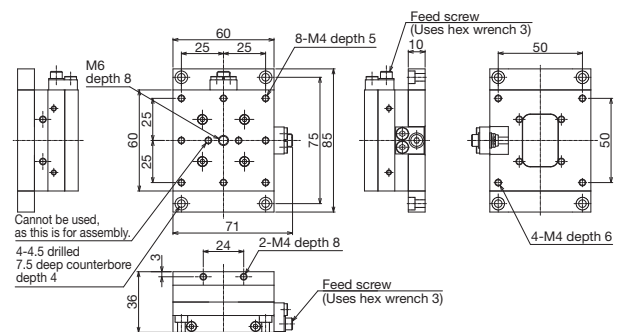
↑ TLS-4051FX



↑ TLD-4051FX

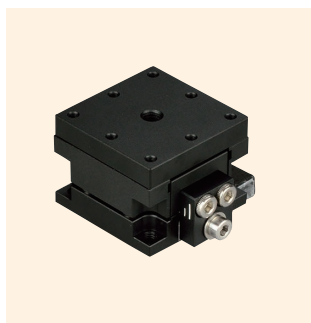


↑ TLS-6051FX



↑ TLD-6051FX

Fix Stages



↑ TLV-4051FX



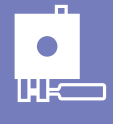
↑ TLV-6051FX

Features

- Clamp-free stages that do not move after position adjustment.
- The special mechanism suppresses backlash.
- A hex wrench is used for position adjustment.* The hex wrench is not included. This should be prepared by the customer.
- Optimal for a workpiece such as a camera or sensor that must keep the position fixed, rather than one that requires constant positioning.
- In addition to horizontal installation, vertical or inverted installation is also possible.

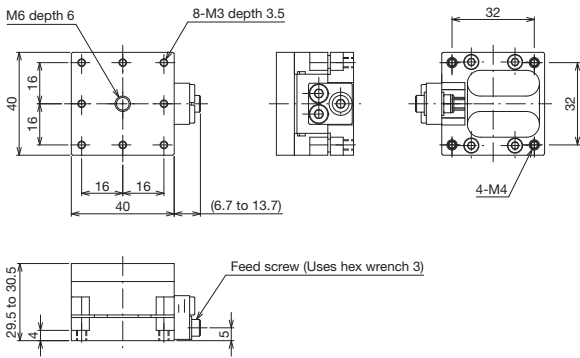
*There are limitations on the load capacity depending on the installation direction. Contact us for details.

Model number	TLV-4051FX	TLV-6051FX
Model name	Z Lift Fix Stage 40 x 40	Z Lift Fix Stage 60 x 60
Travel direction	Z-axis single direction	
Stage surface	40 mm x 40 mm	60 mm x 60 mm
Stage height	30 mm	
Clamp method	Clamp-free	
Feed method	Feed screw P=0.7 mm	
Travel amount	0 to 1 mm	
Travel amount/1 knob rotation	Approx. 0.1 mm	
Travel guide	Sliding	
Parallelism	0.1 mm	
Load capacity	24.5 N (2.5 kgf)	
Mass	0.13 kg	0.28 kg
Main materials/surface treatment	Aluminum alloy/black satin anodized finish	

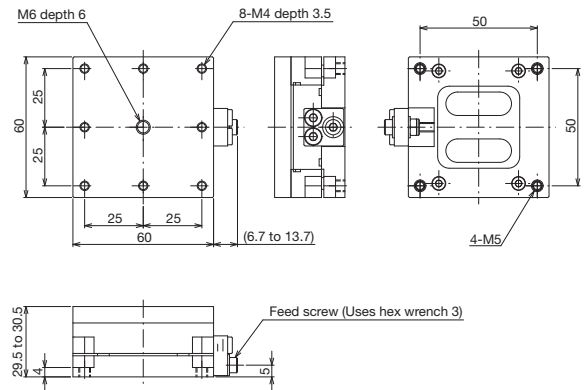


Fix Stages ◀ Manual Stages ◀

Product Appearance



↑ TLV-4051FX



↑ TLV-6051FX

Motorized Stages	Automated Products for Microscopes	Manual Stages	Fix Stages	Thin V8 Stages	Rack & Pinion Stages	High-Grade Stages	Spin Stages, Cross Roller Stages	Z-Like Stages, Z Stages	Rotary Stages	TR Stages	TR/Rotary Stages	XZ, YZ Stages	XZ Stages
------------------	------------------------------------	---------------	------------	----------------	----------------------	-------------------	----------------------------------	-------------------------	---------------	-----------	------------------	---------------	-----------

Fix Stages



↑ TTS-4051FX



↑ TTS-4052FX



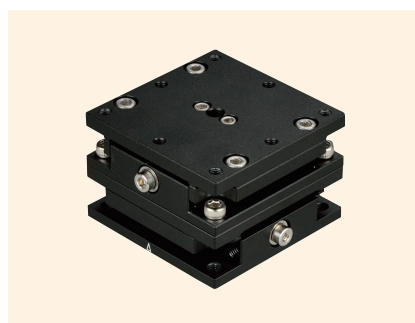
↑ TTD-4051FX



↑ TTS-6051FX



↑ TTS-6052FX



↑ TTD-6051FX

Features

- Clamp-free stages that do not move after position adjustment.
- The special mechanism suppresses backlash.
- A hex wrench is used for position adjustment.* The hex wrench is not included. This should be prepared by the customer.
- Optimal for a workpiece such as a camera or sensor that must keep the position fixed, rather than one that requires constant positioning.
- A tilt stage with differing rotation center height.
- 1-axis tilt stages with differing rotation center heights can be combined into a 2-axis tilt stage with a single rotation center height.
- In addition to horizontal installation, vertical or inverse installation is also possible.

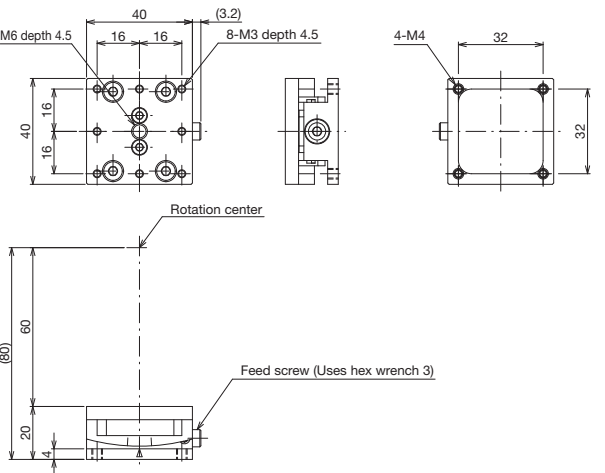
*There are limitations on the load capacity depending on the installation direction. Contact us for details.

Model number	TTS-4051FX	TTS-4052FX	TTS-6051FX	TTS-6052FX	TTD-4051FX	TTD-6051FX
Model name	Goniometer Fix Stage 40 x 40		Goniometer Fix Stage 60 x 60		2-Axis Goniometer Fix Stage 40 x 40	2-Axis Goniometer Fix Stage 60 x 60
Travel direction	Tilt single direction				Tilt double direction	
Stage surface	40 mm x 40 mm		60 mm x 60 mm		40 mm x 40 mm	60 mm x 60 mm
Stage height	20 mm				40 mm	
Rotation center (from stage top)	60 mm	40 mm	60 mm	40 mm	40 mm	
Clamp method	Clamp-free					
Feed method	Feed screw P=0.7 mm					
Travel amount	±3°					
Travel amount/1 knob rotation	Approx. 33' 25"	Approx. 46' 16"	Approx. 33' 25"	Approx. 46' 16"	Upper axis approx. 46' 16," Lower axis approx. 33' 25"	Upper axis approx. 46' 16," Lower axis approx. 33' 25"
Travel guide	Sliding					
Load capacity	24.5 N (2.5 kgf)					
Mass	0.08 kg		0.17 kg		0.16 kg	0.34 kg
Main materials/surface treatment	Aluminum alloy/black satin anodized finish					

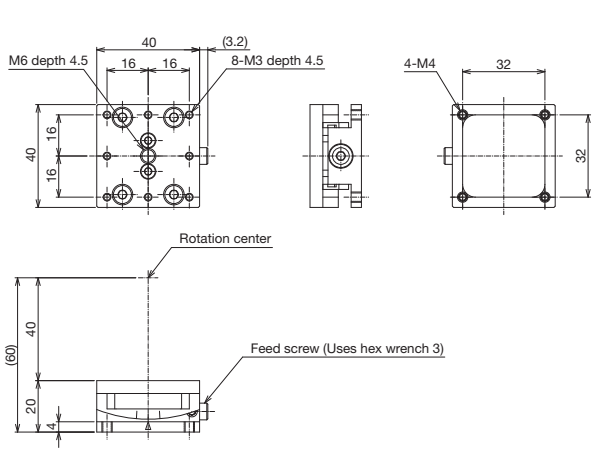


Fix Stages ◀ Manual Stages ◀

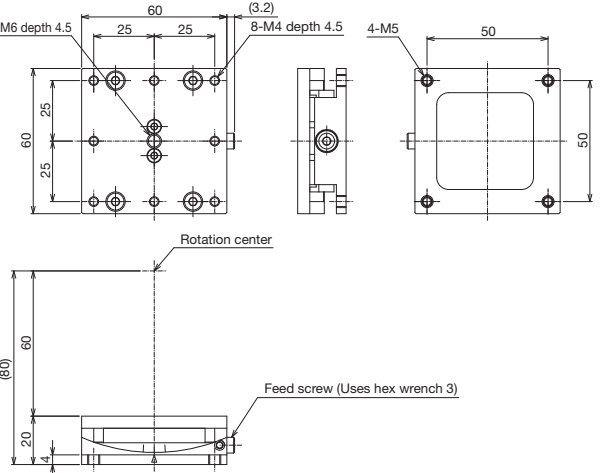
Product Appearance



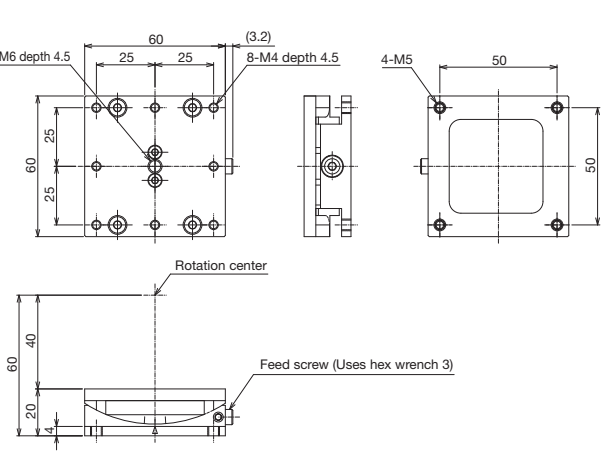
↑ TTS-4051FX



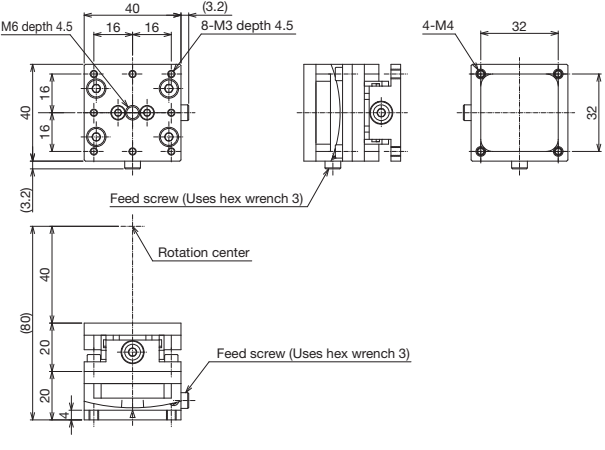
↑ TTS-4052FX



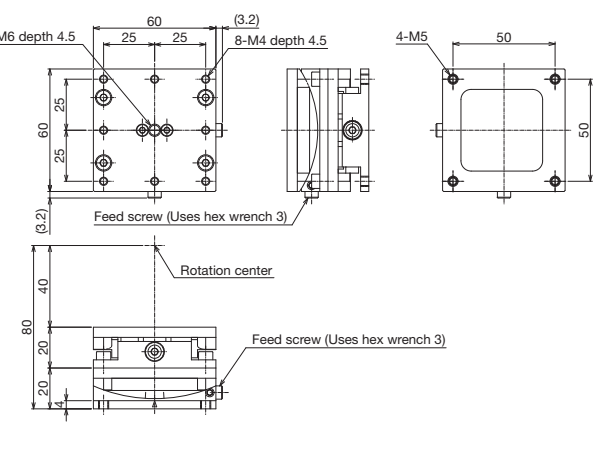
↑ TTS-6051FX



↑ TTS-6052FX



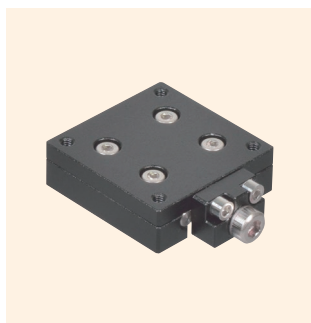
↑ TTD-4051FX



↑ TTD-6051FX

Motorized Stages
Automated Products for Microscopes
Manual Stages
Fix Stages
Thin VIB Stages
Rack & Pinion Stages
High-Grade Stages
Spin Stages, Cross Roller Stages
Z-Like Stages, Z Stages
Rotary Stages
Tilt Stages
Tilt/Rotary Stages
XZ, YZ Stages
XYZ Stages

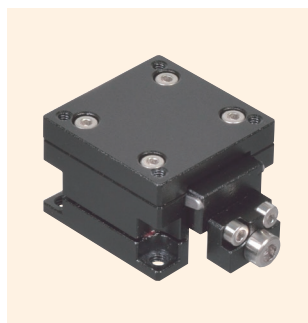
Fix Stages



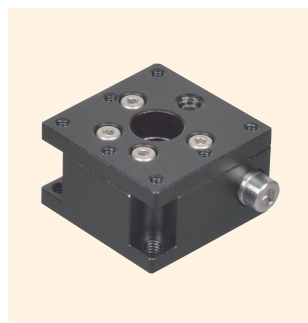
↑ TLS-2551FX



↑ TLD-2551FX



↑ TLV-2551FX



↑ TRS-P2551FX

Features

- Clamp-free stages that do not move after position adjustment.
- The special mechanism suppresses backlash.
- A hex wrench is used for position adjustment. *The hex wrench is not included. This should be prepared by the customer.
- It is possible to change out the hex wrench for a special wrench shape (optional).
- Optimal for a workpiece such as a camera or sensor that must keep the position fixed, rather than one that requires constant positioning.
- Compact stage size at just 25 x 25 mm, yet enables up to 6 axes to be configured.
- Rotary stages with a transmission hole in the stage center.

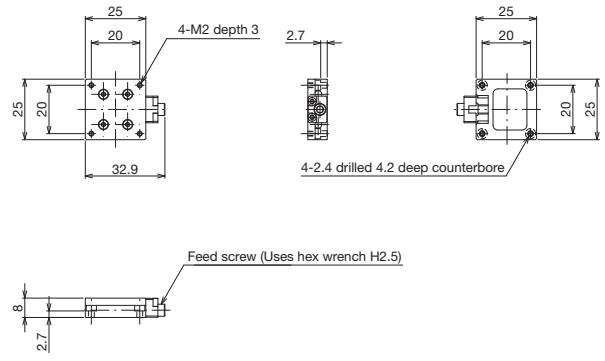
*There are limitations on the load capacity depending on the installation direction. Contact us for details.

Model number	TLS-2551FX	TLD-2551FX	TLV-2551FX	TRS-P2551FX
Model name	X Fix Stage 25 x 25	XY Fix Stage 25 x 25	Z Lift Fix Stage 25 x 25	Transmission Rotary Fix Stage 25 x 25
Travel direction	X-axis single direction	XY-axis double direction	Z-axis single direction	Rotation direction
Stage height	8 mm	16 mm	17.5 mm	15 mm
Stage surface	25 mm x 25 mm			
Clamp method	Clamp-free			
Feed method	Feed screw P=0.5 mm			
Travel amount	±3 mm		0 to 1 mm	±5°
Travel guide	Sliding			
Load capacity	4.9 N (0.5 kgf)			
Mass	0.02 kg	0.04 kg		0.03 kg
Main materials	Aluminum alloy/black satin anodized finish			

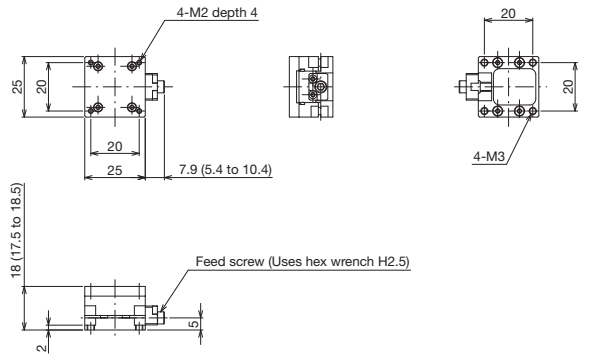


Fix Stages ◀ Manual Stages ◀

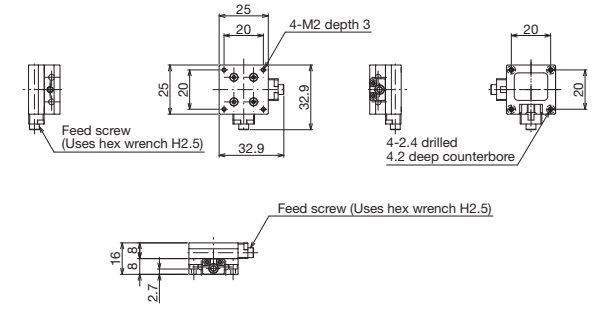
Product Appearance



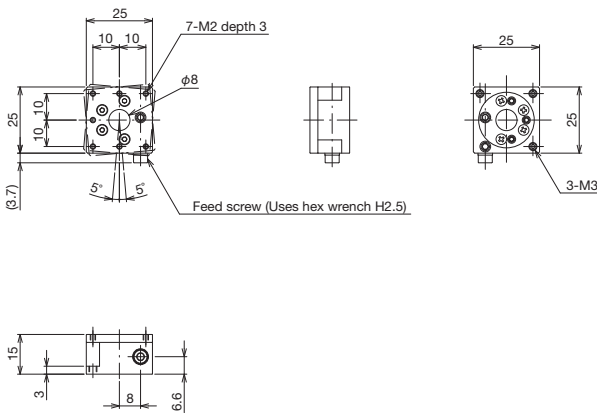
↑ TLS-2551FX



↑ TLV-2551FX



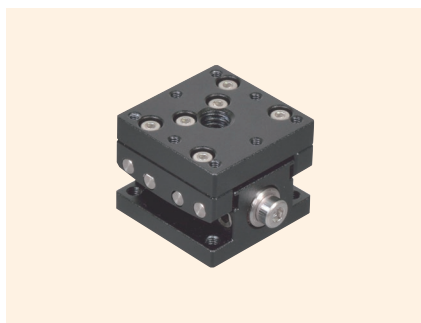
↑ TLD-2551FX



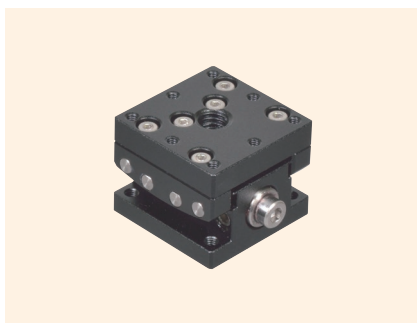
↑ TRS-P2551FX

Motorized Stages	Automated Products for Microscopes	Manual Stages	Fix Stages	Thin V8 Stages	Rack & Pinion Stages	High-Grade Stages	Spin Stages, Cross Roller Stages	Z-Like Stages, Z Stages	Rotary Stages	Tilt Stages	Tilt/Rotary Stages	XZ, YZ Stages	XZ Stages
------------------	------------------------------------	---------------	------------	----------------	----------------------	-------------------	----------------------------------	-------------------------	---------------	-------------	--------------------	---------------	-----------

Fix Stages



↑ TTS-2551FX



↑ TTS-2552FX



↑ TTD-2551FX

Features

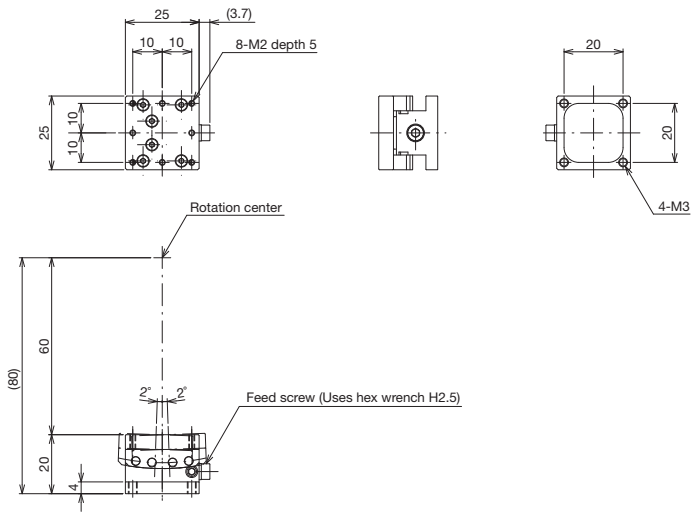
- Clamp-free stages that do not move after position adjustment.
- The special mechanism suppresses backlash.
- A hex wrench is used for position adjustment. *The hex wrench is not included. This should be prepared by the customer.
- It is possible to change out the hex wrench for a special wrench shape (optional).
- Optimal for a workpiece such as a camera or sensor that must keep the position fixed, rather than one that requires constant positioning.
- Compact stage size at just 25 x 25 mm, yet enables up to 6 axes to be configured.
- 1-axis tilt stages with differing rotation center heights can be combined into a 2-axis tilt stage with a single rotation center height.
- In addition to horizontal installation, vertical or inverse installation is also possible.

*There are limitations on the load capacity depending on the installation direction. Contact us for details.

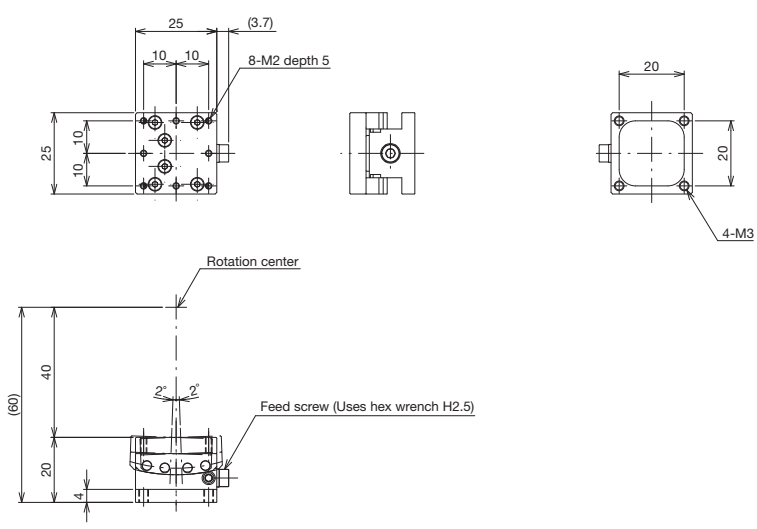
Model number	TTS-2551FX	TTS-2552FX	TTD-2551FX
Model name	Goniometer Fix Stage 25 x 25 (R1)	Goniometer Fix Stage 25 x 25 (R2)	2-Axis Goniometer Fix Stage 25 x 25
Travel direction	Tilt single direction		Tilt double direction
Stage height	20 mm		40 mm
Rotation center height	60 mm	40 mm	
Stage surface	25 mm x 25 mm		
Clamp method	Clamp-free		
Feed method	Feed screw P=0.5 mm		
Travel amount	±2°		
Travel guide	Sliding		
Load capacity	4.9 N (0.5 kgf)		
Mass	0.03 kg	0.06 kg	
Main materials	Aluminum alloy/black satin anodized finish		



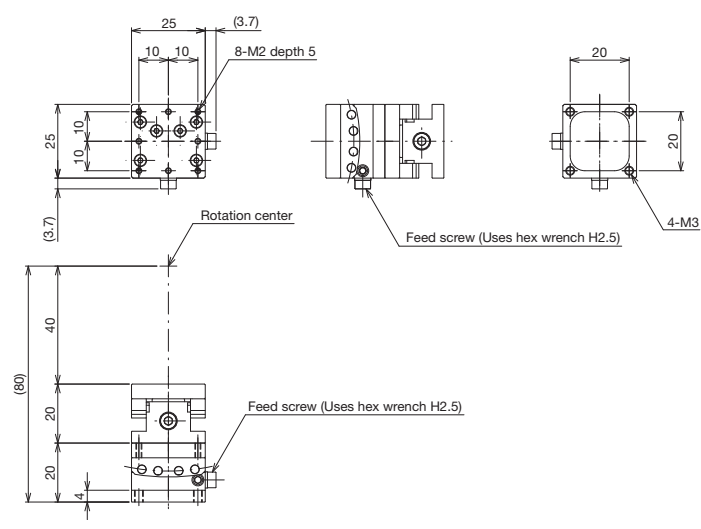
Product Appearance



↑ TTS-2551FX



↑ TTS-2552FX



↑ TTD-2551FX

Motorized Stages	Automated Products for Microscopes	Manual Stages
Fix Stages	Thin VIB Stages	Rack & Pinion Stages
High-Grade Stages	Stim Stages, Cross Roller Stages	Z-Like Stages, Rotary Stages
TTR Stages	TTR/Rotary Stages	XZ, YZ Stages
XZ, YZ Stages	XZ Stages	