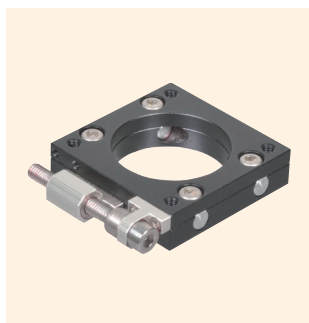
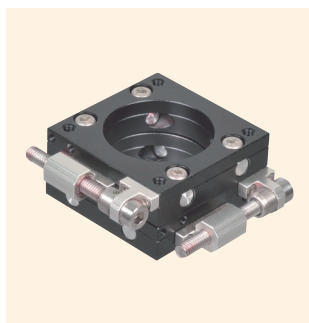


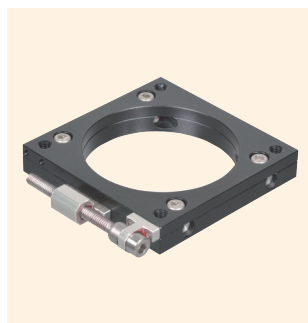
Transmission Fix Stages



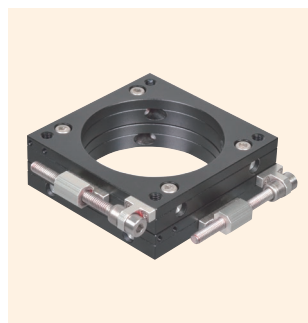
↑ TLS-P4051FX



↑ TLD-P4051FX



↑ TLS-P6051FX



↑ TLD-P6051FX

Features

- Clamp-free stages that do not move after position adjustment.
- The special mechanism suppresses backlash.
- A hex wrench is used for position adjustment. *The hex wrench is not included. This should be prepared by the customer.
- It is possible to change out the hex wrench for a special wrench shape (optional).
- Optimal for a workpiece such as a camera or sensor that must keep the position fixed, rather than one that requires constant positioning.
- There is a transmission hole in the stage center.
- In addition to horizontal installation, vertical or inverse installation is also possible.

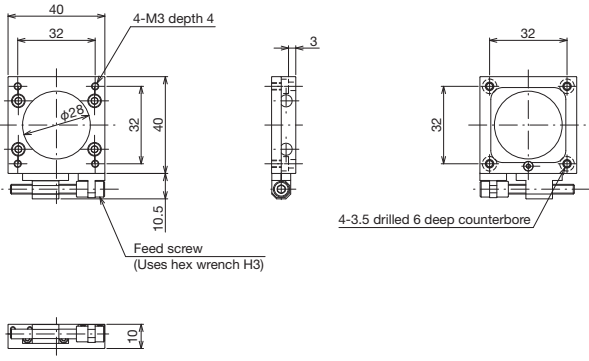
*There are limitations on the load capacity depending on the installation direction. Contact us for details.

Model number	TLS-P4051FX	TLD-P4051FX	TLS-P6051FX	TLD-P6051FX
Model name	Transmission Type X Fix Stage 40 x 40	Transmission Type XY Fix Stage 40 x 40	Transmission Type X Fix Stage 60 x 60	Transmission Type XY Fix Stage 60 x 60
Travel direction	X-axis single direction	XY-axis double direction	X-axis single direction	XY-axis double direction
Stage height	10 mm	20 mm	10 mm	20 mm
Stage surface	40 mm x 40 mm		60 mm x 60 mm	
Clamp method	Clamp-free			
Feed method	Feed screw P=0.7 mm			
Travel amount	±3.5 mm		±5.5 mm	
Travel guide	Sliding			
Load capacity	24.5 N (2.5 kgf)			
Mass	0.04 kg	0.08 kg	0.06 kg	0.12 kg
Main materials	Aluminum alloy/black satin anodized finish			

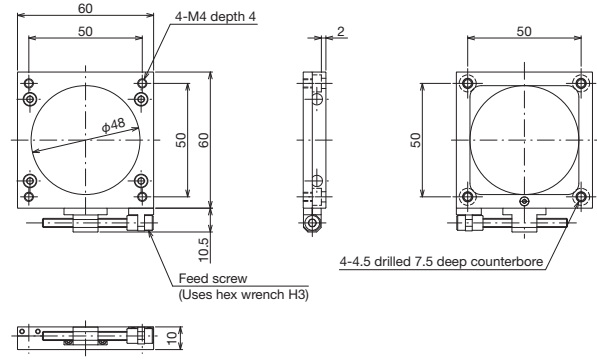


Fix Stages ◀ Manual Stages ◀

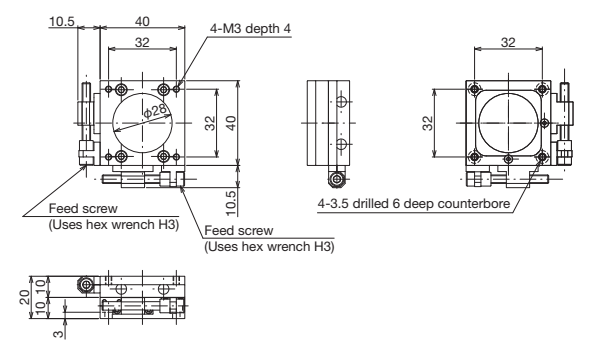
Product Appearance



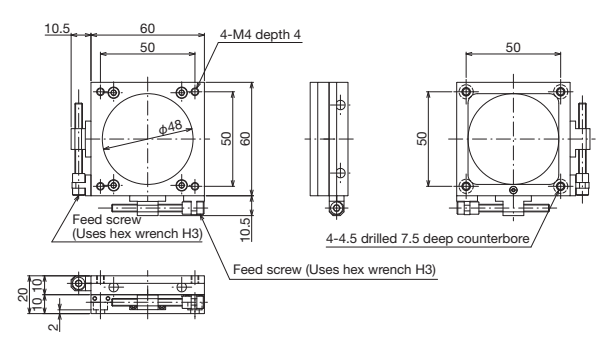
↑ TLS-P4051FX



↑ TLS-P6051FX



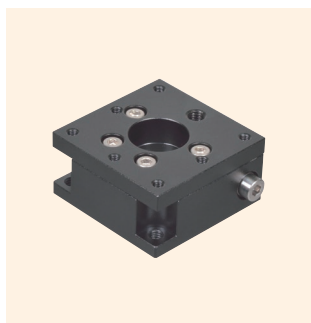
↑ TLD-P4051FX



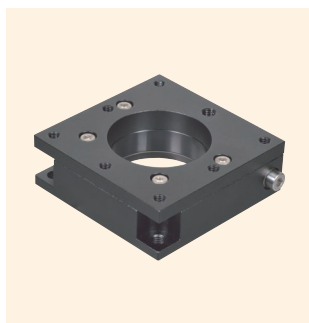
↑ TLD-P6051FX

Motorized Stages	Automated Products for Microscopes	Manual Stages	Fix Stages	Thin V8 Stages	Back & Pinion Stages	High-Grade Stages	Spin Stages, Cross Roller Stages	Z-Like Stages, Z Stages	Rotary Stages	TR Stages	TR/Rotary Stages	XZ, YZ Stages	XZ Stages
------------------	------------------------------------	---------------	------------	----------------	----------------------	-------------------	----------------------------------	-------------------------	---------------	-----------	------------------	---------------	-----------

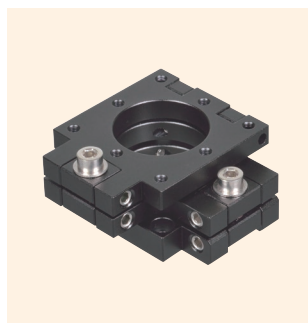
Transmission Fix Stages



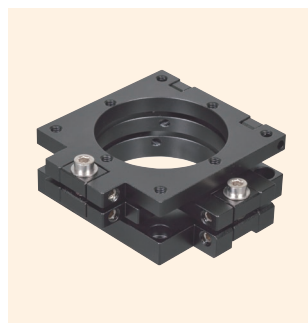
↑ TRS-P4051FX



↑ TRS-P6051FX



↑ TTD-A4051FX



↑ TTD-A6051FX

Features

- Clamp-free stages that do not move after position adjustment.
- The special mechanism suppresses backlash.
- A hex wrench is used for position adjustment. *The hex wrench is not included. This should be prepared by the customer.
- It is possible to change out the hex wrench for a special wrench shape (optional).
- Optimal for a workpiece such as a camera or sensor that must keep the position fixed, rather than one that requires constant positioning.
- There is a transmission hole in the stage center.
- In addition to horizontal installation, vertical or inverse installation is also possible.

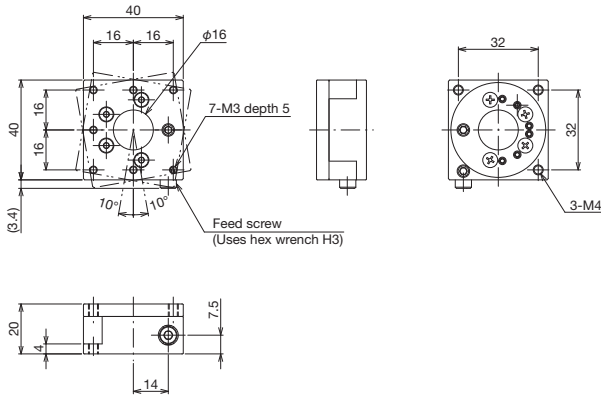
*There are limitations on the load capacity depending on the installation direction. Contact us for details.

Model number	TRS-P4051FX	TRS-P6051FX	TTD-A4051FX	TTD-A6051FX
Model name	Transmission Rotary Fix Stage 40 x 40	Transmission Rotary Fix Stage 60 x 60	2-Axis Tilt Fix Stage for Alignment 40 x 40	2-Axis Tilt Fix Stage for Alignment 60 x 60
Travel direction	Rotation direction		Tilt double direction	
Stage height	20 mm		25 mm	
Stage surface	40 mm x 40 mm	60 mm x 60 mm	40 mm x 40 mm	60 mm x 60 mm
Clamp method	Clamp-free			
Feed method	Feed screw P=0.7 mm			
Travel amount	±10°		±1.5°	
Travel guide	Sliding		Pivot	
Load capacity	24.5 N (2.5 kgf)			
Mass	0.09 kg	0.16 kg	0.08 kg	0.13 kg
Main materials	Aluminum alloy/black satin anodized finish			

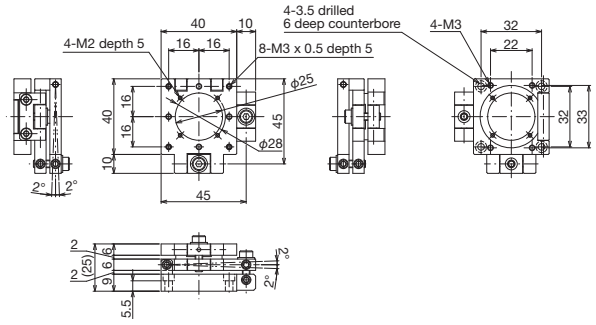


Fix Stages ◀ Manual Stages ◀

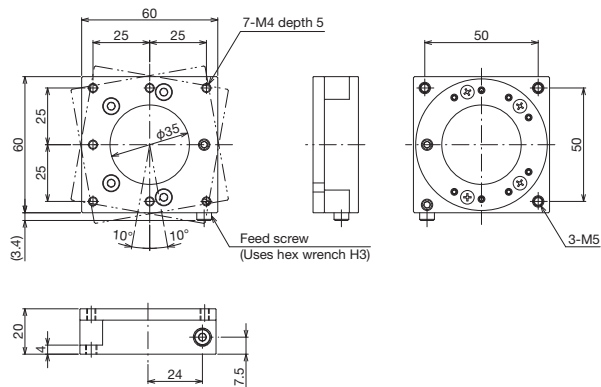
Product Appearance



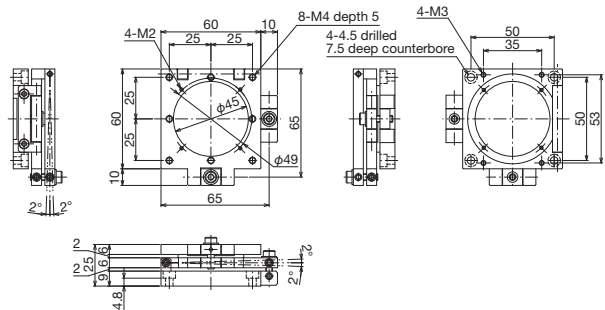
↑ TRS-P4051FX



↑ TTD-A4051FX



↑ TRS-P6051FX



↑ TTD-A6051FX

Motorized Stages	Automated Products for Microscopes	Manual Stages	Fix Stages	Thin VB Stages	Rock & Pinion Stages	High-Grade Cross Roller Stages	Spin Stages, Z-Like Stages, Z Stages	Rotary Stages	TTR Stages	TTR/Rotary Stages	XZ, YZ Stages	XYZ Stages
------------------	------------------------------------	---------------	------------	----------------	----------------------	--------------------------------	--------------------------------------	---------------	------------	-------------------	---------------	------------